



JL INDUSTRIES

# SUBMITTAL/TECHNICAL DATA SHEET

## DESCRIPTION

The XPS Access Panel is Weather Resistant, Insulated Stainless Steel Access Panel for Exterior Applications

## SPECIFICATIONS

**DOOR PANEL:** 2" Thick with fiberglass insulation, 20 ga. stainless steel door with continuous stainless hinge.

**FRAME:** 16 ga. Stainless steel.

**GASKET:** Adhesive backed EPDM foam and silicone rubber seals on frame and door.

**FINISH:** 304 Stainless – No. 4 finish.

**HANDLES:** (H2) Non-locking, plastic with chrome finish.



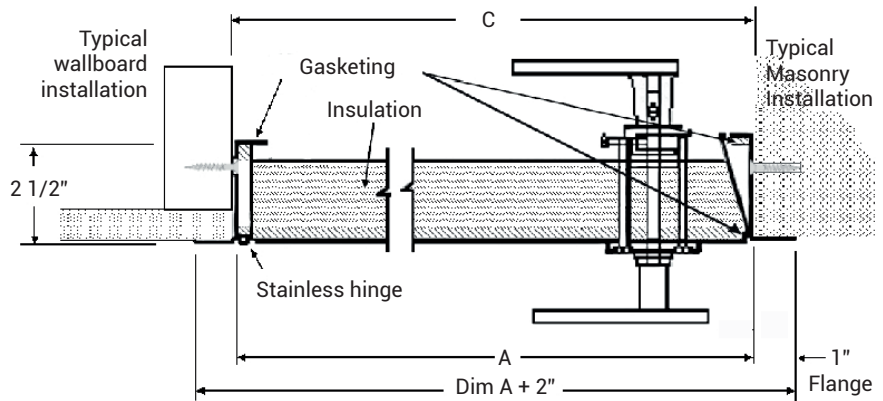
SKU: **XPS**

## EXTERIOR ACCESS PANEL



## DIMENSIONS AND APPEARANCE

>> CLICK TO VIEW ADDITIONAL DETAILS AND PRICING <<



Rainhood

### LATCH AND LOCK OPTIONS



H2 Non-locking Handle (Standard)



H3 Locking Handle



H4 Removable Flush Locking Handle



H4 Inside Latch Removable Flush Locking Handle

For detailed specifications see submittal sheet

For a complete list of options visit [www.AccessDoorsAndPanels.com](http://www.AccessDoorsAndPanels.com)

## PROJECT DATA

Custom Sizes Available - Fast!

Scan or Click



To view Pricing and Additional Product Info.

PROJECT NAME :	QTY	W	H	OPTIONS
ARCHITECT :				
DEALER :				
CONTRACTOR :				
LOCATION :	SPECIAL INSTRUCTIONS :			
DATE :	SUBMITTAL APPROVAL : (signature or stamp)			
TAGGING INSTRUCTIONS :				

TELEPHONE:  
1-888-457-1275

FAX:  
1-888-626-2907



PO BOX 66738 #76520,  
SAINT LOUIS, MO  
63166-6738  
USA



WEBSITE:  
[www.AccessDoorsAndPanels.com](http://www.AccessDoorsAndPanels.com)

E-MAIL:  
[info@AccessDoorsAndPanels.com](mailto:info@AccessDoorsAndPanels.com)



# XPS WEATHER-RESISTANT STAINLESS STEEL ACCESS PANEL

Size (A)	Wall Opening	Handles	Approx. Ship. Weight (Lbs)	Size (A)	Wall Opening	Handles	Approx. Ship. Weight (Lbs)
12" x 12"	12-3/8" x 12-3/8"	1	11	24" x 30"	24-3/8" x 30-3/8"	2	40
14" x 14"	14-3/8" x 14-3/8"	1	15	24" x 36"	24-3/8" x 36-3/8"	2	42
18" x 18"	18-3/8" x 18-3/8"	1	19	24" x 48"	24-3/8" x 48-3/8"	2	57
20" x 24"	20-3/8" x 24-3/8"	1	30	30" x 30"	30-3/8" x 30-3/8"	2	44
20" x 30"	20-3/8" x 30-3/8"	2	32	30" x 36"	30-3/8" x 36-3/8"	2	56
22" x 30"	22-3/8" x 30-3/8"	2	34	36" x 36"	36-3/8" x 36-3/8"	2	61
22" x 36"	22-3/8" x 36-3/8"	2	40	36" x 48"	36-3/8" x 48-3/8"	2	75
24" x 24"	24-3/8" x 24-3/8"	1	27	48" x 48"	48-3/8" x 48-3/8"	2	108

Standard Color is White, Optional Colors at Additional Cost



**OPTIONAL FEATURES AT ADDITIONAL COST:**

- (H3) Locking, plastic with chrome finish
- (H4) Removable flush locking handle
- Rainhood (-R)
- Optional Color Code -