



SUBMITTAL/TECHNICAL DATA SHEET

DESCRIPTIONS

The ambassador series is a durable, attractive steel cabinet with powder coat finish that stands up to conditions in Commercial Buildings.

SPECIFICATIONS

DOOR AND TRIM CONSTRUCTION: Cold rolled steel with white powder coated finish standard. Flush cabinet doors with a 5/8" door stop are attached by a continuous hinge and equipped with zinc-plated handle and roller catch. All models have 1-3/4" wide trim on frame and 1-1/4" trim on doors with glazing.

TRIM STYLE AND DEPTH: Recessed Flat 3/8" Trim, Semi Recessed - 1-1/4", 1-1/2" Square Edge or 2-1/2", 3", 4", 4-1/2" Rolled Edge (4" has recessed ADAC pull). Surface mount models have a square edge or optional rolled edge upon request.

TUB: The tub is constructed of cold rolled steel with white powder-coat finish standard.

FIRE-RATING: Available



SKU: **W10 FX2**

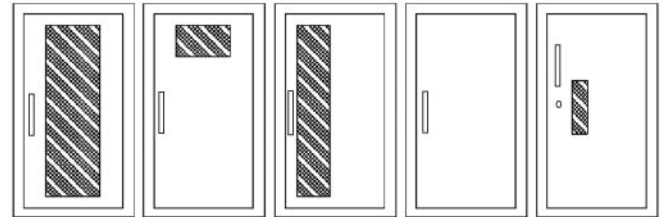
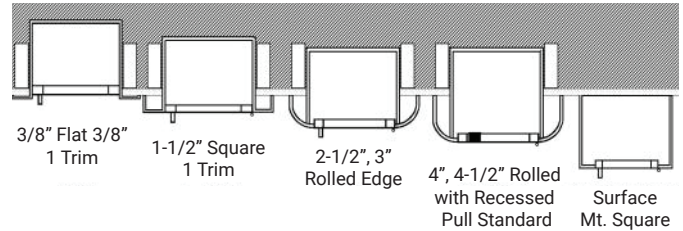
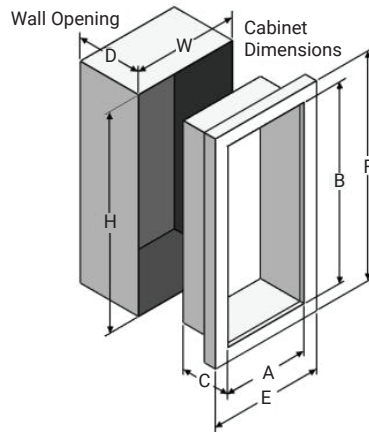
STEEL FIRE EXTINGUISHER CABINET

WITH PULL HANDLE



DIMENSIONS AND APPEARANCE

>> CLICK TO VIEW ADDITIONAL DETAILS AND PRICING <<



F - Full glass with pull handle G - Full glass with pull handle above Saf-T-Lok (Not Shown)	D - Horizontal duo panel with pull handle E - Horizontal duo panel with pull handle above Saf-T Lok. (Not Shown)	V - Vertical duo panel with pull handle W - Vertical duo panel with pull handle above Saf-T Lok. (Not Shown)	S21 - Solid with pull handle L22 - Solid with pull handle above Saf-T-Lok L24 - Solid with cylinder key lock and no handle (Not Shown)	B - Small view window with pull handle, above Saf-T-Lok
--	---	---	--	---



1816F10
1-1/2" Square Trim
Semi-Recessed

1017V10
3" Rolled Trim
Semi-Recessed

ADA Cabinet Mounting Height: Standard Pull on G, E, W, L22 and B Door Styles with Saf-T-Lok are 3 5/8" Higher than Door Center, so Allow for that When Mounting Cabinet. Standard Pull with No Lock or Flush Pull are Centered on Door.

For detailed specifications see submittal sheet

For a complete list of options visit www.AccessDoorsAndPanels.com

PROJECT DATA

Custom Sizes Available - Fast!

Scan or Click



To view Pricing and Additional Product Info.

PROJECT NAME :	QTY	W	H	OPTIONS
ARCHITECT :				
DEALER :				
CONTRACTOR :				
LOCATION :	SPECIAL INSTRUCTIONS :			
DATE :				
TAGGING INSTRUCTIONS :	SUBMITTAL APPROVAL : (signature or stamp)			

TELEPHONE:
1-888-457-1275
FAX:
1-888-626-2907



PO BOX 66738 #76520,
SAINT LOUIS, MO
63166-6738
USA



WEBSITE:
www.AccessDoorsAndPanels.com
E-MAIL:
info@AccessDoorsAndPanels.com



SUBMITTAL



TELEPHONE:
1-888-457-1275
FAX:
1-888-626-2907



PO BOX 66738 #76520,
SAINT LOUIS, MO
63166-6738
USA



WEBSITE:
www.AccessDoorsAndPanels.com
E-MAIL:
info@AccessDoorsAndPanels.com

W10 FX2

STEEL FIRE EXTINGUISHER WITH SAF-T-LOK WITH PULL HANDLE

TRIM & DOOR SERIES #		TUB I.D.			FRAME O.D.		WALL OPENING			FIRE EXTINGUISHERS
MODEL	TRIM STYLE	A	B	C	E	F	W	H	D	
8115	Flat 3/8" Trim *	9	18	5 1/2	12 3/8	21 3/8	10	19	5 3/8	Cosmic & Galaxy 2 1/2-6 (6 lb must be mounted on tub wall), Mercury 2 1/2- 5
8116	1 1/2 Square *	9	18	5 1/2	12 3/8	21 3/8	10	19	4 1/8	
8117	2 1/2 Rolled *	9	18	5 1/2	12 3/8	21 3/8	10	19	3 1/8	
8113	Surf. Mtd Square	12 3/16	21 3/16	6	12 3/8	21 3/8	-	-	-	Cosmic/Gal/Merc 2-5
1710	2-1/4 Square *	10 1/2	24	5	13 3/8	27 3/8	11 1/2	25	3	
1815	Flat 3/8" Trim *	10 1/2	24	5 1/2	13 3/8	27 3/8	11 1/2	25	5 3/8	Cosmic & Galaxy 2 1/2-6 (6 lb must be mounted on tub wall), Mercury 2 1/2-5
1816	1 1/2 Square *	10 1/2	24	5 1/2	13 3/8	27 3/8	11 1/2	25	4 1/8	
1817	3 Rolled *	10 1/2	24	5 1/2	13 3/8	27 3/8	11 1/2	25	2 5/8	
1812	4 Rolled/Flush Pull *	10 1/2	24	5 1/2	13 3/8	27 3/8	11 1/2	25	1 7/8	
1818	4 1/2 Rolled	10 1/2	24	5 1/2	13 3/8	27 3/8	11 1/2	25	1 1/8	
1015	Flat 3/8" Trim *	10 1/2	24	6	13 3/8	27 3/8	11 1/2	25	5 7/8	
1016	1 1/2 Square *	10 1/2	24	6	13 3/8	27 3/8	11 1/2	25	4 5/8	Cosmic & Galaxy 2 1/2-10 Mercury 2 1/2-5, Sentinel 5
1017	3 Rolled *	10 1/2	24	6	13 3/8	27 3/8	11 1/2	25	3 1/8	
1012	4 Rolled/Flush Pull *	10 1/2	24	6	13 3/8	27 3/8	11 1/2	25	2 3/8	
1018	4 1/2 Rolled	10 1/2	24	6	13 3/8	27 3/8	11 1/2	25	1 5/8	
1013	Surf Mtd. Square	13 11/16	27 3/16	6 1/2	13 3/8	27 3/8	-	-	-	
2015	Flat 3/8" Trim *	12	27	7 3/4	15 3/8	30 3/8	13	28	7 5/8	
2016	1 1/4 Square *	12	27	7 3/4	15 3/8	30 3/8	13	28	6 5/8	Any Cosmic, Galaxy (20 lb must be mounted on cabinet tub), Mercury, Saturn or Grenadier P, Sentinel 5 & 10
2017	2 1/2 Rolled *	12	27	7 3/4	15 3/8	30 3/8	13	28	5 3/8	
2012	4 Rolled/Flush Pull *	12	27	7 3/4	15 3/8	30 3/8	13	28	4 1/8	
2018	4 1/2 Rolled	12	27	7 3/4	15 3/8	30 3/8	13	28	3 3/8	
2013	Surf Mtd. Square	15 3/16	30 3/16	8 1/4	15 3/8	30 3/8	-	-	-	
3015	Flat 3/8" Trim *	16	32	7 3/4	19 3/8	35 3/8	17	33	7 5/8	
3016	1 1/4 Square *	16	32	7 3/4	19 3/8	35 3/8	17	33	6 5/8	Any Cosmic, Galaxy (20 lb must be mounted on cabinet tub), Mercury, Saturn or Grenadier P, Sentinel 5-15, 272
3017	2 1/2 Rolled *	16	32	7 3/4	19 3/8	35 3/8	17	33	5 3/8	
3012	4 Rolled/Flush Pull *	16	32	7 3/4	19 3/8	35 3/8	17	33	4 1/8	
3018	4 1/2 Rolled	16	32	7 3/4	19 3/8	35 3/8	17	33	3 3/8	
3013	Surf Mtd. Square	19 3/16	35 3/16	8 1/4	19 3/8	35 3/8	-	-	-	
4015	Flat 3/8" Trim *	20	27	7 3/4	23 3/8	30 3/8	21	28	7 5/8	
4016	1 1/4 Square *	20	27	7 3/4	23 3/8	30 3/8	21	28	6 5/8	Two each any Cosmic, Galaxy (20 lb must be mounted on cabinet tub), Mercury, Saturn or Grenadier P, Sentinel 5
4017	2 1/2 Rolled *	20	27	7 3/4	23 3/8	30 3/8	21	28	5 3/8	
4012	4 Rolled/Flush Pull *	20	27	7 3/4	23 3/8	30 3/8	21	28	4 1/8	
4018	4 1/2 Rolled	20	27	7 3/4	23 3/8	30 3/8	21	28	3 3/8	
4013	Surf Mtd. Square	23 3/16	30 3/16	8 1/4	23 3/8	30 3/8	-	-	-	

Models shown in Blue color above are available in several door styles for Quick Shipment.

* Cabinets that Meet 4" Maximum ADA Projection Requirement