



# SUBMITTAL/TECHNICAL DATA SHEET

www.AccessDoorsAndPanels.com

## APPLICATION

Provides quick, convenient and architecturally pleasing covers to plumbing clean-outs in wet areas.

## FEATURES

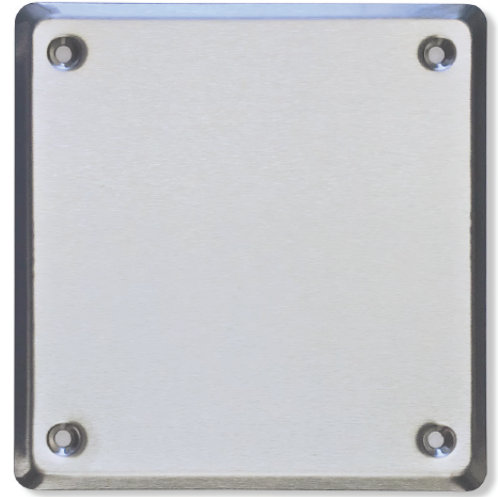
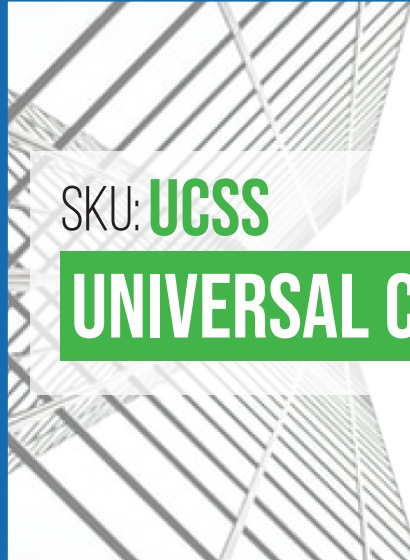
- Corrosion resistant Stainless Steel ensures long life
- Architecturally pleasing appearance in satin brush finish
- Bevelled edges with rounded corners assures safe installation
- Flush counter-sunk mounting screws

## SPECIFICATIONS

**MATERIAL:** 22 GA Stainless Steel 304 grade.

**COVER:** Square shaped, bevelled edges and rounded corners with countersunk holes on each corner for installation screws. 4pcs x Stainless Steel #10 x 1.250" Oval Head Square Tapping screws included.

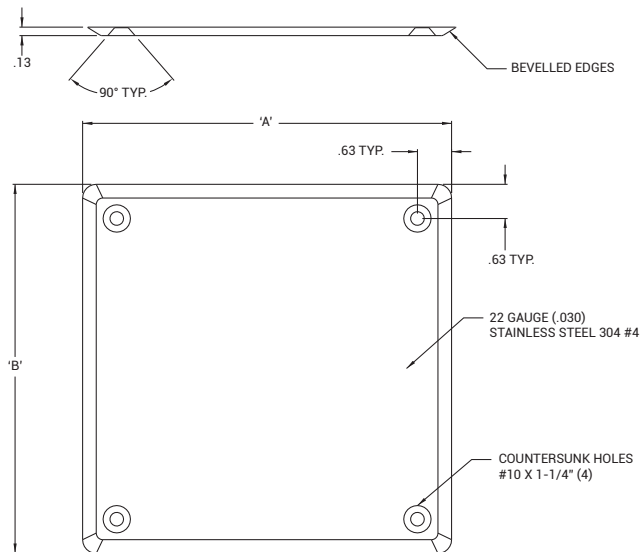
**FINISH:** #4 Satin Brush.



## ■ DIMENSIONS AND APPEARANCE >> CLICK TO VIEW ADDITIONAL DETAILS AND PRICING <<

### STANDARD SIZES:

DOOR SIZE W x H INCHES	(MM)	WALL OPENING INCHES	(MM)	WEIGHT	
				LBS	KG
6 x 6	(152 x 152)	4 x 4	(102 x 102)	0.31	0.14
8 x 8	(203 x 203)	6 x 6	(152 x 152)	0.55	0.25
10 x 10	(254 x 254)	8 x 8	(203 x 203)	0.87	0.39
12 x 12	(305 x 305)	10 x 10	(254 x 254)	1.25	0.57
14 x 14	(356 x 356)	12 x 12	(305 x 305)	1.71	0.77
16 x 16	(406 x 406)	14 x 14	(356 x 356)	2.24	1.01
18 x 18	(457 x 457)	16 x 16	(406 x 406)	2.81	1.28
24 x 24	(610 x 610)	22 x 22	(559 x 559)	5.04	2.28





Proprietary property of Acudor Products, Inc., sold and distributed with proper authorization

For a complete list of options visit [www.AccessDoorsAndPanels.com](http://www.AccessDoorsAndPanels.com)

## ■ PROJECT DATA

Custom Sizes Available - Fast!

PROJECT NAME :	QTY	W	H	OPTIONS
ARCHITECT :				
DEALER :				
CONTRACTOR :				
LOCATION :	SPECIAL INSTRUCTIONS :			
DATE :	SUBMITTAL APPROVAL : (signature or stamp)			
TAGGING INSTRUCTIONS :				

Scan  or  Click



To view Pricing and Additional Product Info.

TELEPHONE:  
1-888-457-1275  
FAX:  
1-888-626-2907



PO BOX 66738 #76520,  
SAINT LOUIS, MO  
63166-6738  
USA



WEBSITE:  
[www.AccessDoorsAndPanels.com](http://www.AccessDoorsAndPanels.com)  
E-MAIL:  
[info@AccessDoorsAndPanels.com](mailto:info@AccessDoorsAndPanels.com)



# UCSS

# UNIVERSAL COVER

NOMINAL SIZE	WALL OPENING SIZE	A	B	DUCT OPENING
6 x 6 (152mm x 152mm)	4 x 4 (102mm x 102mm)	11.567 (294mm)	11.818 (300mm)	4-1/2 X 4-1/2 (114 X 114)
8 x 8 (203mm x 203mm)	6 x 6 (152mm x 152mm)	15.567 (395mm)	15.818 (402mm)	6-1/2 X 6-1/2 (165 X 165)
10 x 10 (254mm x 254mm)	8 x 8 (203mm x 203mm)	17.567 (446mm)	17.818 (453mm)	8-1/2 X 8-1/2 (216 X 216)
12 x 12 (305mm x 305mm)	10 x 10 (254mm x 254mm)	23.567 (599mm)	23.818 (605mm)	10-1/2 X 10-1/2 (267 X 267)
14 x 14 (356mm x 356mm)	12 x 12 (305mm x 305mm)	11.567 (294mm)	11.818 (300mm)	10-1/2 X 16-1/2 (267 X 419)
16 x 16 (406mm x 406mm)	14 x 14 (356mm x 356mm)	15.567 (395mm)	15.818 (402mm)	12-1/2 X 12-1/2 (318 X 318)
18 x 18 (457mm x 457mm)	16 x 16 (406mm x 406mm)	17.567 (446mm)	17.818 (453mm)	14-1/2 X 14-1/2 (368 X 368)
24 x 24 (610mm x 610mm)	22 x 22 (559mm x 559mm)	23.567 (599mm)	23.818 (605mm)	16-1/2 X 16-1/2 (419 X 419)

