

SUBMITTAL/TECHNICAL DATA SHEET



FEATURES

- Corrosion-resistant, high-density polyethylene construction is ideal for shoreline areas and corrosive environments.
- Simulated wood design
- Pleasing driftwood color
- Will not rust and never needs painting
- Interchangeable side panel inserts allow homeowners to add light and/or ventilation to their basement areaway
- Motion dampers provided for safe and controlled door operation
- Slide bolt locking mechanism



SKU: **SZ-C-ULTRA**

BASEMENT DOOR

ULTRA & CLASSIC SERIES



■ DIMENSIONS AND APPEARANCE

>> [CLICK TO VIEW ADDITIONAL DETAILS AND PRICING](#) <<

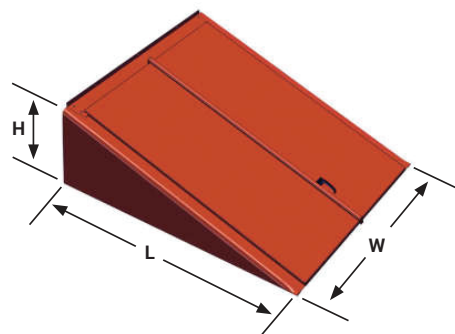
Selecting The Correct Size Basement Door:

- Discard your old door and measure (in inches) the dimensions of the areaway foundation.
- Measure dimension W1, the inside width, and dimension W2, the outside width of the areaway foundation walls. Record your dimensions below and make the calculation shown.
- Measure dimension L1, the inside length, and dimension L2, the outside length of the areaway foundation walls. Record your dimensions and make the calculation shown.
- Measure dimension H1, the height from the top of the areaway foundation to the top of the opening in the house foundation.
- Select the door from the table to the right with a width between W1 and W2 and length between L1 and L2.

Basement Door Dimensions:

Door Size	Width (W) (inches)	Length (L) (inches)	Height (H) (inches)	Door Opening	
				Length (inches)	Width (inches)
B	51	64	22	60	44
C*	55	72	19½	67	48
O	47	58	30	58	40
SL	51	43¼	52	60	44

*Ultra Series Doors are available in Size C only

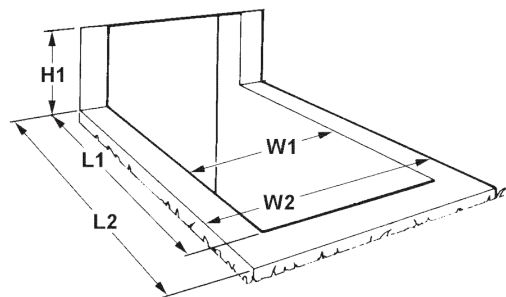


Record your foundation dimensions here:

WIDTH
W1 + 4" = _____ W2 = _____

LENGTH
L1 + 2" = _____ L2 = _____

HEIGHT
H1 = _____



CALL FOR ASSISTANCE ON CHOOSING THE SIZES.

For a complete list of options visit
www.AccessDoorsAndPanels.com

■ PROJECT DATA

Custom Sizes Available - Fast!

PROJECT NAME :	QTY	W	H	OPTIONS
ARCHITECT :				
DEALER :				
CONTRACTOR :				
LOCATION :	SPECIAL INSTRUCTIONS :			
DATE :				
TAGGING INSTRUCTIONS :	SUBMITTAL APPROVAL : (signature or stamp)			

Scan or Click



To view Pricing and
Additional Product Info.

TELEPHONE:
1-888-457-1275
FAX:
1-888-626-2907



PO BOX 66738 #76520,
SAINT LOUIS, MO
63166-6738
USA



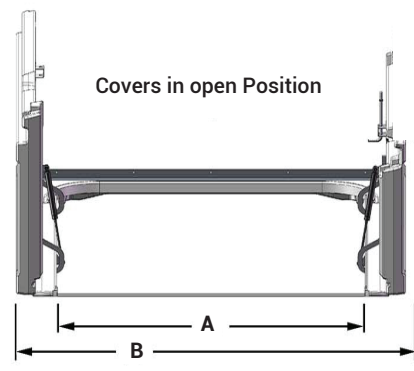
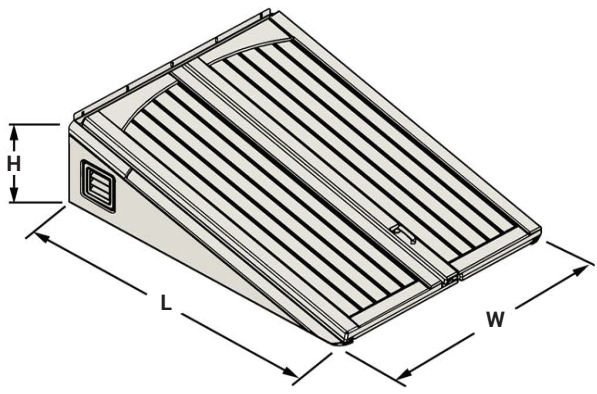
WEBSITE:
www.AccessDoorsAndPanels.com
E-MAIL:
info@AccessDoorsAndPanels.com



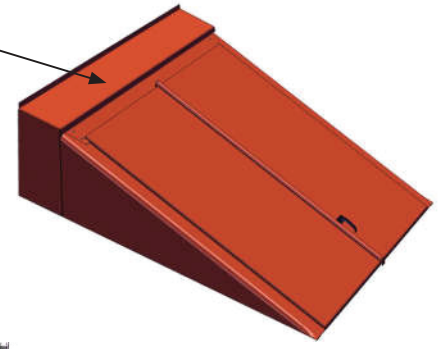
SZ-C-ULTRA BASEMENT DOOR WITH SLOPED MASONRY WALLS

BASEMENT DOOR ACCESSORIES:

Extensions are available to increase the door length for Size C Ultra and Size C Classic Series doors. Classic Series extensions are available in 6", 12", 18", 24" and 30" lengths and two or more can be mounted back to back to increase the door length. Ultra Series extensions are available in 6" and 12" lengths and two extensions can be combined to increase the door length.



Extension



A Clear Opening	
inches	cm
45	114.3

B Open Width Including Handle	
inches	cm
65	165.1

Ultra Series doors are only available in Size C at this time.

Size	Width				Length**		Height		Clear Opening			
	Covers Closed		Covers Open*						Length		Width	
	inches	cm	inches	cm	inches	cm	inches	cm	inches	cm	inches	cm
C	56	142.2	65	165.1	73	185.4	19.5	49.5	67	170.2	45	114.3

*Verify clearance if there is a wall on either side of the door

**Extensions are available to increase the door length in lengths of 6" (15.2cm) and 12" (30.5cm).



Wood grain texture



Louver and screen side panel window inserts