

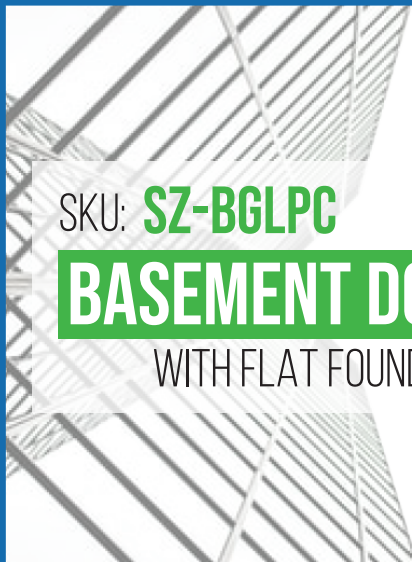
# SUBMITTAL/TECHNICAL DATA SHEET



## SPECIFICATIONS

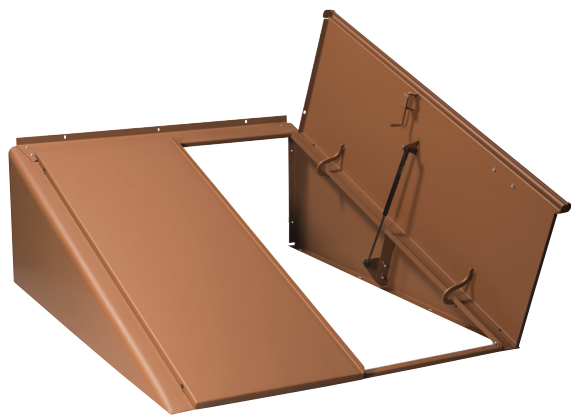
BILCO Classic Series steel basement doors are now offered with a factory-applied polyester powder coat finish. The polyester resin provides a durable, weather-resistant coating. Cured at higher temperatures than most wet coatings, the result is a tougher and chip-resistant coating, providing both a decorative and protective finish.

Available in two basic styles: steel sided doors for areaways with a flat foundation (shown here) and doors for sloped masonry sidewalls. Performing the measurement procedure and choosing the correct door is easy, simply follow the steps shown in Dimensions and Appearance section.



SKU: **SZ-BGLPC**

**BASEMENT DOOR**  
WITH FLAT FOUNDATION



COLOR CHOICE:  White  Sandstone  Gray  
 Brick  Green  Black

## DIMENSIONS AND APPEARANCE

>> CLICK TO VIEW ADDITIONAL DETAILS AND PRICING <<

### Selecting The Correct Size Basement Door:

#### Step 1.

1. Discard the old door and measure (in inches) the dimensions of the existing areaway foundation.
2. Measure dimension W1, the inside width, and dimension W2, the outside width of the areaway foundation.
3. Measure dimension L1, the inside length, and dimension L2, the outside length of the areaway foundation.
4. Measure dimension H1, the height from the top of the areaway foundation to the top of the opening in the house foundation.

#### Step 2.

Record the dimensions in the spaces provided and calculate as shown at right.

|                       |                       |            |
|-----------------------|-----------------------|------------|
| Width                 | Length                | Height     |
| W1 = _____ W2 = _____ | L1 = _____ L2 = _____ | H1 = _____ |

#### Step 3.

Select the door that is at least 4" wider than W1 and no wider than W2. Select a door at least 2" longer than L1 but not longer than L2. (the reason for selecting a door wider and longer than your inside opening is to ensure the door frame attaches securely to the foundation). Extensions are available for size c doors to increase length. (see below for more information). The height of the door should be greater than dimension H1.

### CALL FOR ASSISTANCE ON CHOOSING THE SIZES.

| Model      | Width | Length  | Length with Extension Panel |         |                   |         |         | Height  |
|------------|-------|---------|-----------------------------|---------|-------------------|---------|---------|---------|
|            |       |         | Ext 6"                      | Ext 12" | Ext 18"           | Ext 24" | Ext 30" |         |
| ***Size C  | *55"  | 72"     | 78"                         | 84"     | 90"               | **96"   | 102"    | 19-1/2" |
| Size B     | 51"   | 64"     | x                           | x       | x                 | x       | x       | 22"     |
| Size O     | 47"   | 58"     | x                           | x       | x                 | x       | x       | 30"     |
| Size SL    | 51"   | 43-1/4" | x                           | x       | x                 | x       | x       | 52"     |
| Ultra Door | 56"   | 73"     | 79"                         | 85"     | ***See Note Below |         |         | 19-1/2" |

- \* - Foundation plates can be used to reduce the inside width of areaways wider than 55"
- \*\* - Two or more extensions can be mounted together for areaway lengths greater than 102"
- \*\*\* - Ultra Series Doors are available in Size C only, and extensions can be used to increase the lengths of the frame to cover larger openings.

For a complete list of options visit  
[www.AccessDoorsAndPanels.com](http://www.AccessDoorsAndPanels.com)

## PROJECT DATA

Custom Sizes Available - Fast!

|                        |  |   |   |         |
|------------------------|--|---|---|---------|
| PROJECT NAME :         | QTY  | W | H | OPTIONS |
| ARCHITECT :            |  |   |   |         |
| DEALER :               |  |   |   |         |
| CONTRACTOR :           |  |   |   |         |
| LOCATION :             | SPECIAL INSTRUCTIONS :                       |   |   |         |
| DATE :                 |  |   |   |         |
| TAGGING INSTRUCTIONS : | SUBMITTAL APPROVAL :<br>(signature or stamp) |   |   |         |

Scan or Click



To view Pricing and  
Additional Product Info.

TELEPHONE:  
1-888-457-1275  
FAX:  
1-888-626-2907



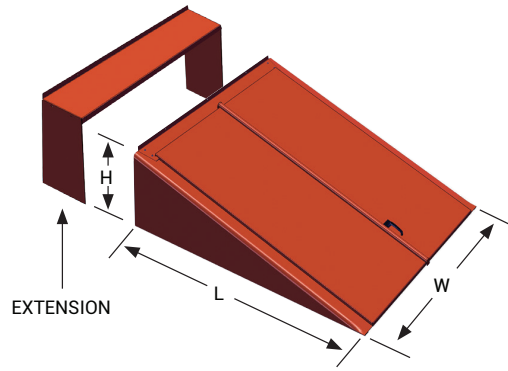
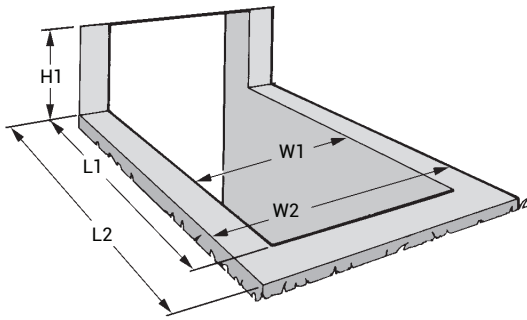
PO BOX 66738 #76520,  
SAINT LOUIS, MO  
63166-6738  
USA



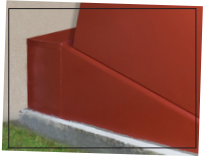
WEBSITE:  
[www.AccessDoorsAndPanels.com](http://www.AccessDoorsAndPanels.com)  
E-MAIL:  
[info@AccessDoorsAndPanels.com](mailto:info@AccessDoorsAndPanels.com)



# SZ-BGLPC BASEMENT DOOR WITH FLAT FOUNDATION



Foundation Plates



Extensions



Stair Stringers



Keyed Lock Kit



Weather Strip Kit

**BASEMENT DOOR ACCESSORIES:**

**Foundation Plates**

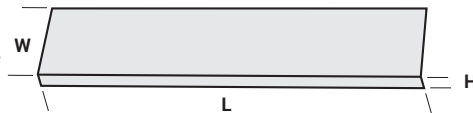
BILCO Foundation Plates are installed on top of areaway foundation sidewalls to:

1. Improve the appearance of old areaway foundations and sloped sidewalls.
2. Cover rough masonry and small holes, and span voids in brick and concrete block.
3. Reduce inside width of areaway rough openings to fit BILCO doors.
4. Support BILCO doors in corner installations.

**Extensions:**

Classic Series extensions are available for Size C doors in 6", 12", 18", 24" and 30" lengths and two or more can be mounted back to back to increase the door length. Ultra Series extensions are available in 6" and 12" lengths and two extensions can be combined to increase the door length.

| Model | Length | Width | Height |
|-------|--------|-------|--------|
| FP5   | 72"    | 5"    | 1-3/4" |
| FP8   | 72"    | 8"    | 1-3/4" |
| FP11  | 72"    | 11"   | 1-3/4" |
| FP14  | 72"    | 14"   | 1-3/4" |



**Stair Stringers:**

Constructed of 14-gauge galvanized steel, BILCO stair stringers are an economical way to add a staircase to any existing basement areaway. To determine the stair stringers required, measure the height of grade above the finished basement floor (H) and length (L) of your areaway opening. Select the proper stair stringers from the table to the right.

| BASEMENT DOOR | STAIR STRINGER |                  |                        |
|---------------|----------------|------------------|------------------------|
|               | Model          | Run + in Areaway | Number of Stair Treads |
| Size SL       | Size SL-SS     | 34-5/8"          | 4                      |
| Size O        | Size O-SS      | 51-5/8"          | 6                      |
| Size B        | Size B-SS      | 59-3/4"          | 7                      |
| Size C        | Size C-SS      | 68-1/8"          | 8                      |
| Size C        | Size E-SS      | 26-1/4"          | 3                      |

Multiple stringers can be used together and extensions (SZ-E-SS) are also available for non-standard areaways. Extensions are 25-1/4" in length and add 3 stair treads.

**Keyed Lock Kit:**

Enjoy the convenience of locking and unlocking your BILCO basement door from the outside. A turn of the key opens the door from the outside and a handy release lever automatically unlocks the door from the inside. The BILCO keyed lock kit is designed for installation in less than 30 minutes.

**Weather Strip Kit:**

BILCO's weather strip kit is easy to install and includes a series of gaskets specifically designed to seal the intricate shape and areas of a basement door. The kit is supplied with complete installation instructions and the only tools required are tin snips or large scissors. Simply trim the materials as instructed to match your specific door model (possibly even other brands of steel basement doors) and enjoy your well-sealed areaway. This product is not applicable for the Ultra Series.



SUBMITTAL



TELEPHONE:  
1-888-457-1275  
FAX:  
1-888-626-2907



PO BOX 66738 #76520,  
SAINT LOUIS, MO  
63166-6738  
USA



WEBSITE:  
www.AccessDoorsAndPanels.com  
E-MAIL:  
info@AccessDoorsAndPanels.com

# SZ-BGLPC

# BASEMENT DOOR WITH FLAT FOUNDATION

### ORDER FORM

| ITEM   | MODELS  | PRICE        |
|--|---|--------------|
| Classic Steel Sided Doors (Primed)   | Door Model: <input type="checkbox"/> Size O <input type="checkbox"/> Size B <input type="checkbox"/> Size C <input type="checkbox"/> Size SL  | \$           |
|  | Extensions: <small>C-Door Only</small> <input type="checkbox"/> 6" QTY__ <input type="checkbox"/> 12" QTY__ <input type="checkbox"/> 18" QTY__ <input type="checkbox"/> 24" QTY__ <input type="checkbox"/> 30" QTY__  | \$           |
|  | Foundation Plates: <input type="checkbox"/> FP5-5" <input type="checkbox"/> FP5-8" <input type="checkbox"/> FP5-11" <input type="checkbox"/> FP5-14" (All are 72" Long)   | \$           |
| Classic Steel Sided Doors (Powder Coat)  | Door Model: <input type="checkbox"/> Size B <input type="checkbox"/> Size C   | \$           |
|  | Door Color: <input type="checkbox"/> White <input type="checkbox"/> Sandstone <input type="checkbox"/> Gray <input type="checkbox"/> Brick <input type="checkbox"/> Green <input type="checkbox"/> Black  | \$           |
|  | Extensions: <small>C-Door Only</small> <input type="checkbox"/> 6" QTY__ <input type="checkbox"/> 12" QTY__ <input type="checkbox"/> 18" QTY__ <input type="checkbox"/> 24" QTY__ <input type="checkbox"/> 24" QTY__ <small>Select Color From Choices Above</small> | \$           |
|  | Foundation Plates: <input type="checkbox"/> FP5-5" <input type="checkbox"/> FP5-8" <input type="checkbox"/> FP5-11" <input type="checkbox"/> FP5-14" (All are 72" Long) <small>Select Color From Choices Above</small>  | \$           |
|  | Pre-punched For Lock Kit: <input type="checkbox"/> Yes <input type="checkbox"/> No  | \$           |
| Ultra Series   | Door Model: <input type="checkbox"/> Size C   | \$           |
|  | Extensions: <input type="checkbox"/> 6" QTY__ <input type="checkbox"/> 12" QTY__  | \$           |
|  | Foundation Plates: <input type="checkbox"/> FP5-5" <input type="checkbox"/> FP5-8" <input type="checkbox"/> FP5-11" <input type="checkbox"/> FP5-14" (All are 72" Long)   | \$           |
| Basement Door Accessories  | Stair Stringers: <input type="checkbox"/> Size O <input type="checkbox"/> Size B <input type="checkbox"/> Size C <input type="checkbox"/> Size SL <input type="checkbox"/> Size E Extension   | \$           |
|  | Keyed Lock Kit: <input type="checkbox"/> Not available for Ultra Series Door  | \$           |
|  | Weather Strip Kit: <input type="checkbox"/> One size fits all steel doors, not available for Ultra Series   | \$           |
| <i>After determining your door requirements, bring form to your local building materials dealer for pricing.</i> |   | <b>TOTAL</b> |