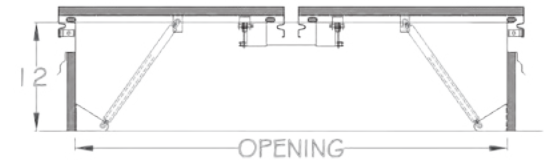
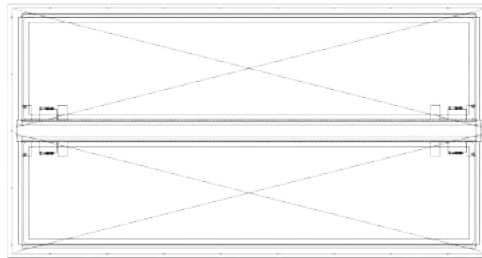
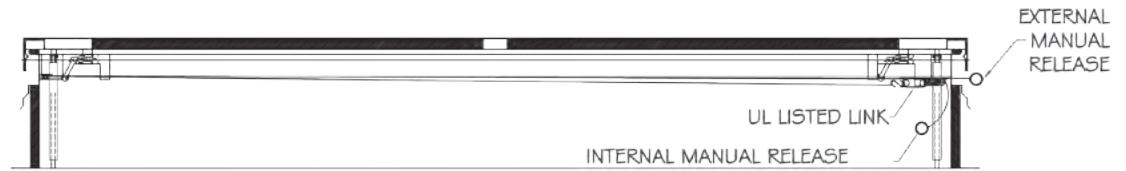
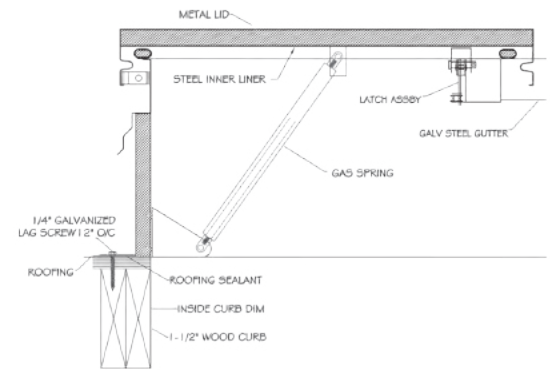
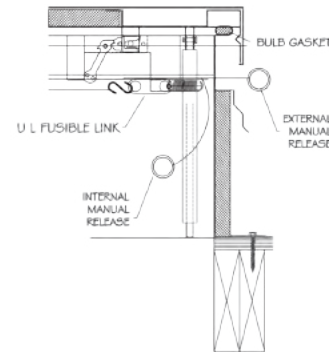
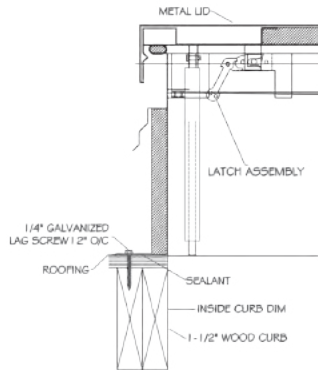
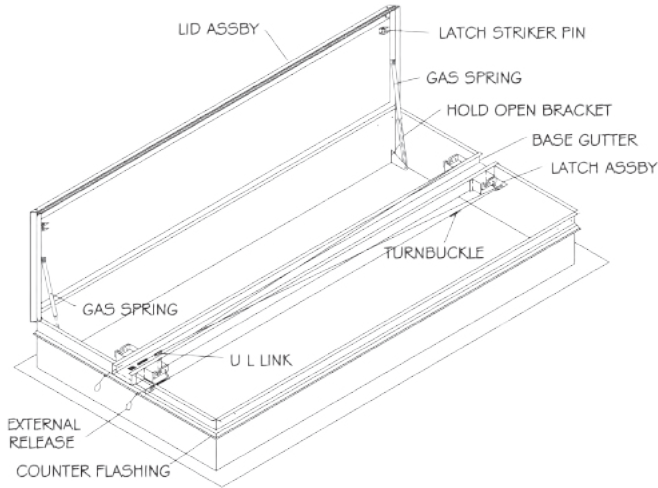




	QTY	OPENING WIDTH "W"	OPENING LENGTH "L"	QTY	OPENING WIDTH "W"	OPENING LENGTH "L"
"DDFTT%PPST"OE1 BOFMT DPN JOGP!BDDFTTEPPSTBO EQBOEMT DPN 11POF 'BY		48" (1219mm)	48" (1219mm)		60" (1524mm)	60" (1524mm)
		48" (1219mm)	72" (1829mm)		60" (1524mm)	72" (1829mm)
		48" (1219mm)	90" (2286mm)		60" (1524mm)	90" (2286mm)
		48" (1219mm)	96" (2286mm)		60" (1524mm)	96" (2438mm)

## UL LISTED SMOKE VENT, ALUMINUM



### SPECIFICATIONS:

- Fully Welded & Assembled Aluminum Curb
- 4" x 4" x 3/16" Galvanized Steel OSHA Compliant Safety Screen Option
- Base options include self flashing, curb mount and metal building
- 1" Rigid Insulation R7.2
- Full perimeter EPDM bulb gaskets
- Lids open against a 10 PSF live load
- Lid uplift rating 30 PSF
- Hinges and latches 12 gauge
- Latches rated for 90 PSF uplift
- UL listed fusible or McCabe resettable links
- Inside and outside manual releases
- High performance gas springs with hold open

JOB NAME:	APPROVED BY:
CUSTOMER:	DATE: