

SUBMITTAL/TECHNICAL DATA SHEET



SPECIFICATIONS

01. Thermally broken curb with integral capflashing 11 ga. Aluminum (Corners fully welded)
02. Thermally broken cover 11 ga. Aluminium
03. Cover liner - 18 ga. Aluminium
04. 3" [75mm] Polyisocyanurate curb insulation
05. 3" [75mm] Polyisocyanurate cover insulation
06. EPDM Gasket (All around cover)
07. Pintle hinge - Stainless steel type 316
08. Bilclip® Flashing system
09. 165° Fusible link (Extra link provided)
10. Thermolatch® positive hold/release mechanism
11. Gas springs with damper & hold open feature
12. Cover restraint cable, (1) @ each end
13. Pull grip to open from inside 1/8" dia. steel cable
14. Pull grip to open from outside 1/8" dia. steel cable
15. Cover latch bracket
16. R-Value equals 20.3 (Cover and curb)

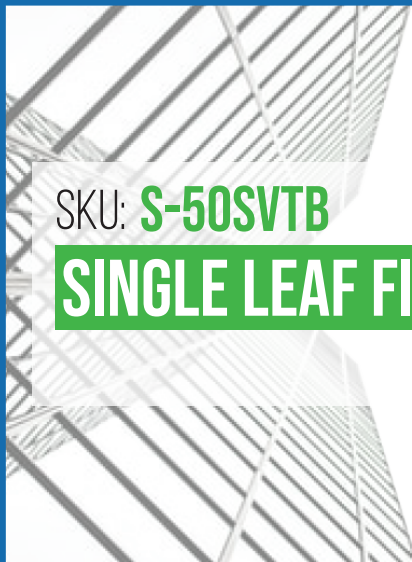
SHOP FINISH:

- ALUMINUM: Mill finish
- HARDWARE: Non-corrosive materials (Unless otherwise specified)

GENERAL NOTES:

This product may be installed on either a flat or sloping roof. When installed on a slope, the hinge side must run parallel with the slope. If slope exceeds 30°, advise factory for modification.

For a complete list of options visit www.AccessDoorsAndPanels.com



SKU: **S-50SVTB**

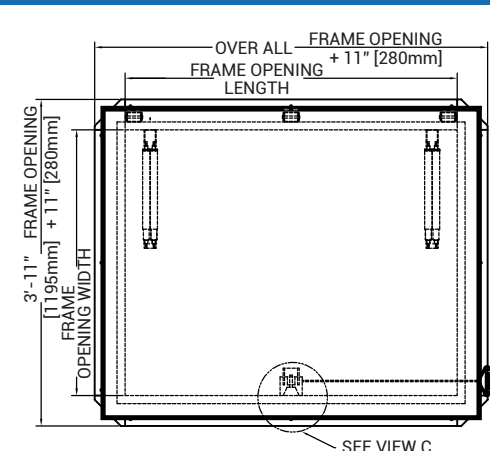
SINGLE LEAF FIRE VENT

TYPE S-SV

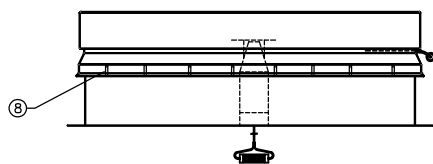
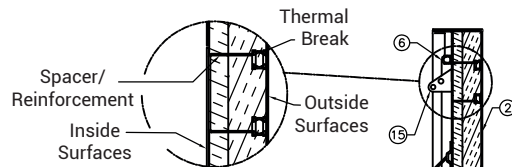


DIMENSIONS AND APPEARANCE

>> CLICK TO VIEW ADDITIONAL DETAILS AND PRICING <<



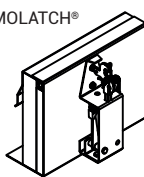
ALL SPACER/REINFORCING MEMBERS IN THE COVER AND CURB THAT SEPARATE OUTSIDE METAL SURFACES FROM INSIDE METAL SURFACES, CONTAIN A NON-CONDUCTIVE THERMAL BREAK BETWEEN THOSE SURFACES



ANCHOR HOLE LAYOUT

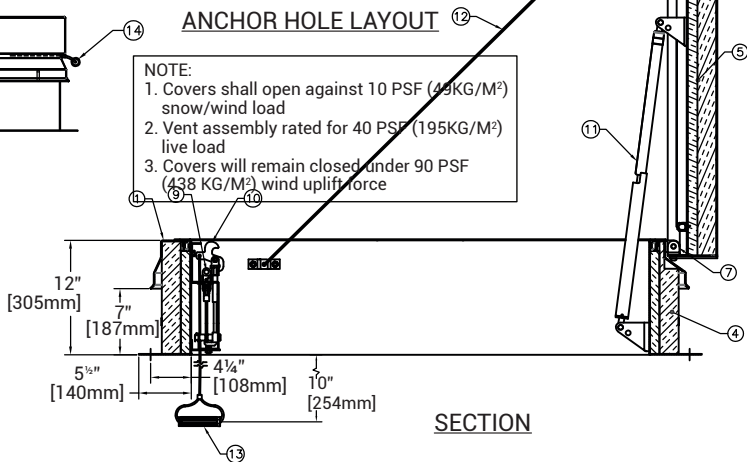
- NOTE:
1. Covers shall open against 10 PSF (49KG/M²) snow/wind load
 2. Vent assembly rated for 40 PSF (195KG/M²) live load
 3. Covers will remain closed under 90 PSF (438 KG/M²) wind uplift force

THERMOLATCH®



VIEW C

Thermolatch mechanism-covers will operate only when activated
A. Manually
B. By heat at 165° fusible link



SECTION

QTY	TYPE	SIZE (WIDTH X LENGTH)
	S-50SVTB	3'-0" x 2'-6" [915mm x 760mm]

HINGE SIDE

PROJECT DATA

Custom Sizes Available - Fast!

PROJECT NAME :	QTY	W	H	OPTIONS
ARCHITECT :				
DEALER :				
CONTRACTOR :				
LOCATION :	SPECIAL INSTRUCTIONS :			
DATE :				
TAGGING INSTRUCTIONS :	SUBMITTAL APPROVAL : (signature or stamp)			

Scan or



To view Pricing and Additional Product Info.

TELEPHONE:
1-888-457-1275
FAX:
1-888-626-2907



PO BOX 66738 #76520,
SAINT LOUIS, MO
63166-6738
USA



WEBSITE:
www.AccessDoorsAndPanels.com
E-MAIL:
info@AccessDoorsAndPanels.com