

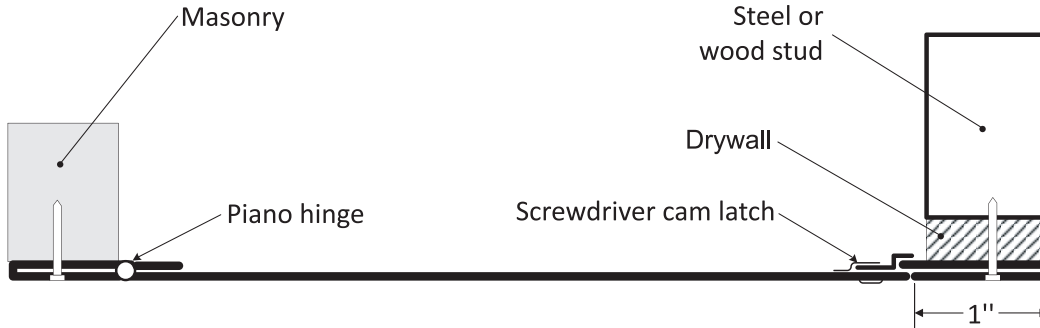


Click here to Online Product Page and Pricing

### SURFACE MOUNTED ACCESS DOOR

# SFM

#### INSTALLATION

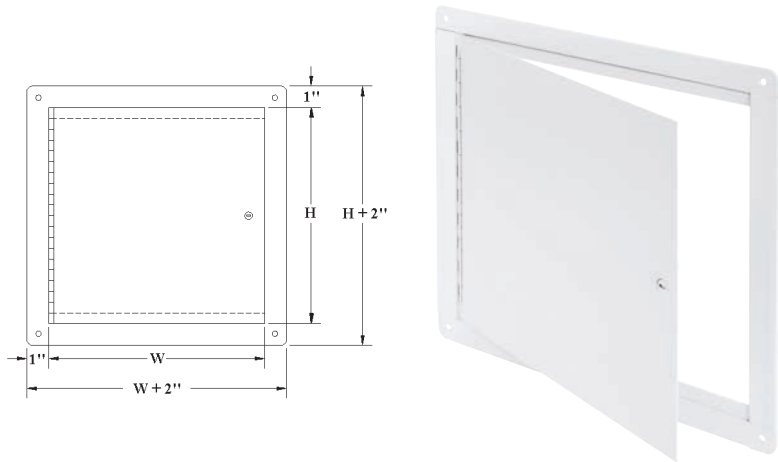


#### DIMENSIONS AND APPEARANCE

LEED ready: This product contributes to LEED® credits.

DOOR SIZE - W x H INCHES (MM)	CLEAR INSIDE OPENING INCHES (MM)	NUMBER OF LOCKS	WEIGHT LBS	KG
8 x 8 (203 x 203)	7 3/4 x 7 (197 x 178)	1	3	1.4
12 x 12 (304 x 304)	11 3/4 x 11 (298 x 279)	1	5	2.3
16 x 16 (406 x 406)	15 3/4 x 15 (400 x 381)	1	8	3.6
*18 x 18 (457 x 457)	17 3/4 x 17 (451 x 432)	1	10	4.5
*24 x 24 (609 x 609)	23 3/4 x 23 (603 x 584)	1	15	6.8

Your odd sizes:  
Made in 5 days



#### DESCRIPTION AND MATERIAL SPECIFICATION

- Material:** 16 gauge cold rolled steel
- Hinge:** continuous piano hinge
- Lock / latch:** screwdriver operated cam latch
- Finish:** high quality white powder coat primer
- Packaging:** individually wrapped, 1 per box

**POPULAR OPTIONS** For complete list of options go to: [www.AccessDoorsAndPanels.com](http://www.AccessDoorsAndPanels.com)

**Material:** stainless steel 304 #4 (brushed finish)



#### PROJECT DATA

PROJECT NAME:	QTY	W	H	OPTIONS
ARCHITECT:				
DEALER:				
CONTRACTOR:				
LOCATION:	SPECIAL INSTRUCTIONS:			
DATE:				
TAGGING INSTRUCTIONS:	SUBMITTAL APPROVAL: (signature or stamp)			

**Email:** [info@accessdoorsandpanels.com](mailto:info@accessdoorsandpanels.com)  
**Website:** [www.accessdoorsandpanels.com](http://www.accessdoorsandpanels.com)

**Phone:** 1-800-609-2917  
**Fax:** 1-888-626-2907

**Address:**  
P.O. Box 66738 #76520 Saint Louis