



High-quality, architecturally pleasing, innovative access doors for walls, ceilings, ducts, floors and roofs



SECURITY DOORS SD-6000

Application

- Installation ideal for prisons, correctional facilities, housing projects etc.
- Heavy duty access door designed for use in high security areas

Product Features

- 10 Gauge Door
- Security butt hinges are surface welded to the door and frame
- A detention type deadbolt lock with paracentric key is standard

SD-6000 Access Door Specifications:

Door / Door Frame: Door 10 gauge (.134) plate & frame is 2x2x3/16 angle, flush to edge of frame. Mounting frame to have anchor straps

Hinge: Heavy duty butt hinges, welded to door and frame

Standard Latch: Detention type deadbolt lock with paracentric key

Optional Latches/Locks: Tamperproof security cam latches, cylinder lock and key. When master keying is required, doors can be prepared for rim or mortise cylinder locks

Finish: 5 stage iron phosphate preparation with prime coat of White alkyd baked-on enamel. Stainless Steel: #4 satin polish



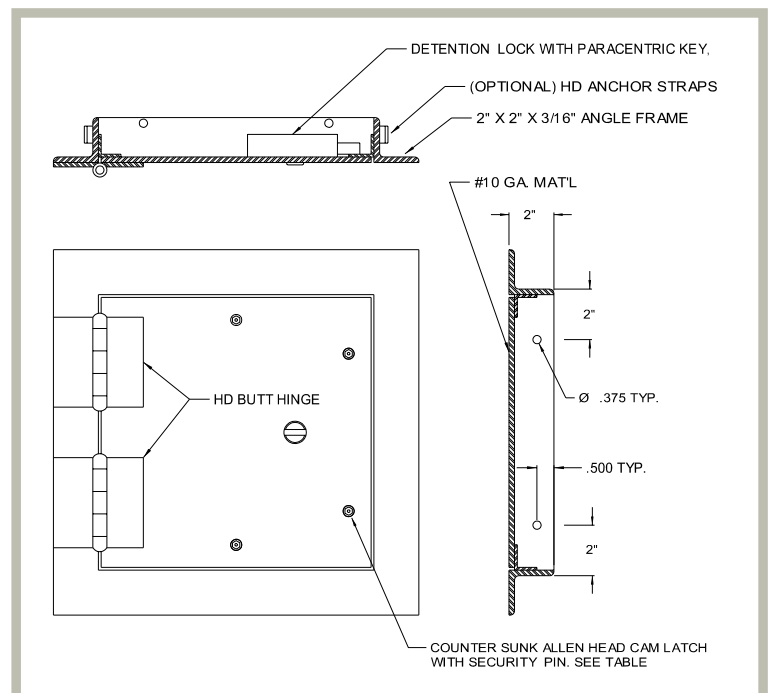
STANDARD SIZES (Special sizes available upon request)

NOMINAL DOOR SIZE W X H		WEIGHT PER DOOR	
inches	mm	lbs.	kg.
12 X 12	305 X 305	22	10
16 X 16	406 X 406	30	13.8
18 X 18	457 X 457	46	21
24 X 24	610 X 610	70	31.8
24 X 36	610 X 914	90	41
36 X 36	914 X 914	12	54.5

Wall or ceiling opening is nominal door size + 3/8" (9 mm)
For detailed specifications see submittal sheet



Detention Lock with Paracentric Key



[Click here to Online Product Page and Pricing](#)

For more information, contact AccessDoorsAndPanels www.AccessDoorsAndPanels.com

Phone: 1-800-609-2917

Fax: 1-888-626-2907

Email: info@accessdoorsandpanels.com