

# SUBMITTAL/TECHNICAL DATA SHEET



## SPECIFICATIONS

01. Thermally broken curb with integral capflashing 11 ga. Aluminum (Corners fully welded)
02. Thermally broken cover 11 ga. Aluminium
03. Cover liner - 18 ga. Aluminium
04. 3" [75mm] Polyisocyanurate curb insulation
05. 3" [75mm] Polyisocyanurate cover insulation
06. EPDM Gasket (All around cover)
07. Pintle hinge - Stainless steel type 316
08. Bilclip® Flashing system
09. 165° Fusible link (Extra link provided)
10. Thermolatch® positive hold/release mechanism
11. Gas springs with damper & hold open feature
12. Cover restraint cable, (1) @ each end
13. Pull grip to open from inside 1/8" dia. steel cable
14. Pull grip to open from outside 1/8" dia. steel cable
15. Cover latch bracket
16. R-Value equals 20.3 (Cover and curb)

### SHOP FINISH:

ALUMINUM: Mill finish  
HARDWARE: Non-corrosive materials  
(Unless otherwise specified)

### GENERAL NOTES:

This product may be installed on either a flat or sloping roof. When installed on a slope, the hinge side must run parallel with the slope. If slope exceeds 30°, advise factory for modification.

For a complete list of options visit  
[www.AccessDoorsAndPanels.com](http://www.AccessDoorsAndPanels.com)



SKU: **S-50SVTB**

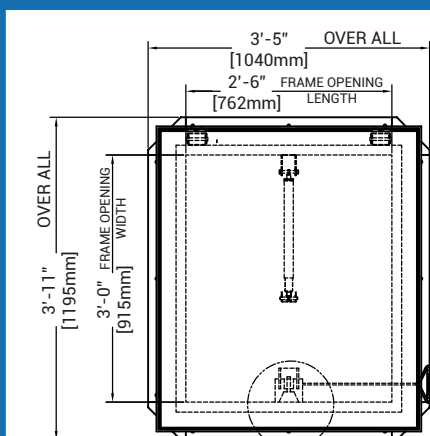
## SINGLE LEAF FIRE VENT

TYPE S-SV

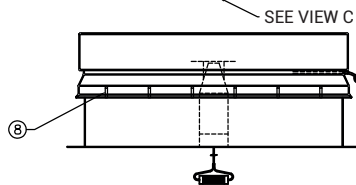
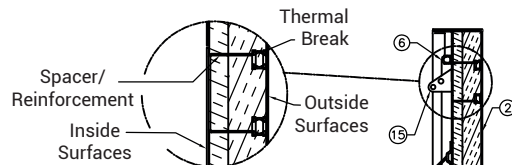


## DIMENSIONS AND APPEARANCE

>> CLICK TO VIEW ADDITIONAL DETAILS AND PRICING <<



ALL SPACER/REINFORCING MEMBERS IN THE COVER AND CURB THAT SEPARATE OUTSIDE METAL SURFACES FROM INSIDE METAL SURFACES, CONTAIN A NON-CONDUCTIVE THERMAL BREAK BETWEEN THOSE SURFACES



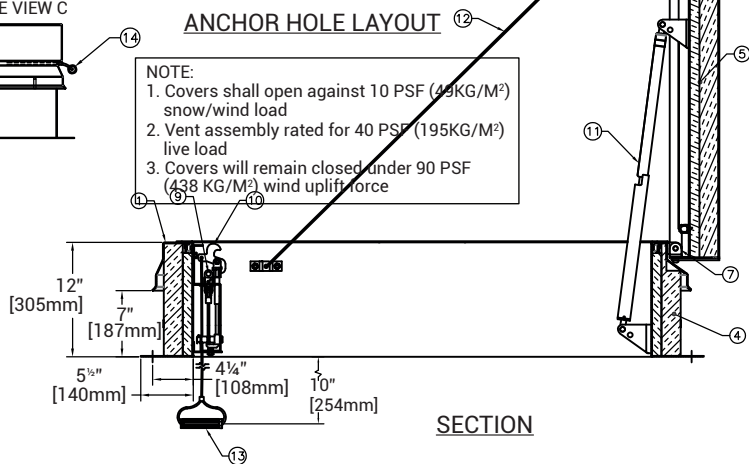
### ANCHOR HOLE LAYOUT

- NOTE:
1. Covers shall open against 10 PSF (49KG/M<sup>2</sup>) snow/wind load
  2. Vent assembly rated for 40 PSF (195KG/M<sup>2</sup>) live load
  3. Covers will remain closed under 90 PSF (438 KG/M<sup>2</sup>) wind uplift force

THERMOLATCH®

VIEW C

Thermolatch mechanism-covers will operate only when activated  
A. Manually  
B. By heat at 165° fusible link



SECTION

QTY TYPE SIZE (WIDTH X LENGTH)

S-50SVTB 3'-0" x 2'-6" [915mm x 760mm]

HINGE SIDE

## PROJECT DATA

Custom Sizes Available - Fast!

PROJECT NAME :	QTY	W	H	OPTIONS
ARCHITECT :				
DEALER :				
CONTRACTOR :				
LOCATION :	SPECIAL INSTRUCTIONS :			
DATE :				
TAGGING INSTRUCTIONS :	SUBMITTAL APPROVAL : (signature or stamp)			

Scan or Click



To view Pricing and Additional Product Info.

TELEPHONE:  
1-888-457-1275  
FAX:  
1-888-626-2907

PO BOX 66738 #76520,  
SAINT LOUIS, MO  
63166-6738  
USA

WEBSITE:  
[www.AccessDoorsAndPanels.com](http://www.AccessDoorsAndPanels.com)  
E-MAIL:  
[info@AccessDoorsAndPanels.com](mailto:info@AccessDoorsAndPanels.com)