



JL INDUSTRIES

SUBMITTAL/TECHNICAL DATA SHEET

DESCRIPTIONS

Designed for safe entry and exit assistance from roof hatch or floor door in an upright and balanced position. The spring balanced safety post comes fully assembled, ready for installing onto fixed vertical ladder rungs.

SPECIFICATIONS

POST MATERIAL: Heavy wall square tubing: 1-1/2" x 1-1/2" steel.

FINISH: Hot dip galvanized.

SPRING TYPE: Constant force balancing stainless steel spring.

HARDWARE INCLUDED: 316 stainless steel bolts and washers.

LADDER REQUIREMENTS: Round or square rungs in sizes 3/4" - 1-1/4" spaced between 10"-14" apart, per OSHA 1910.23(b)1. When mounted, the rung centers must allow at least a 7" foot clearance, per OSHA 1910.23(d)2.



SKU: **RSLP-G**

SPRING-BALANCED LADDER POST



DIMENSIONS AND APPEARANCE

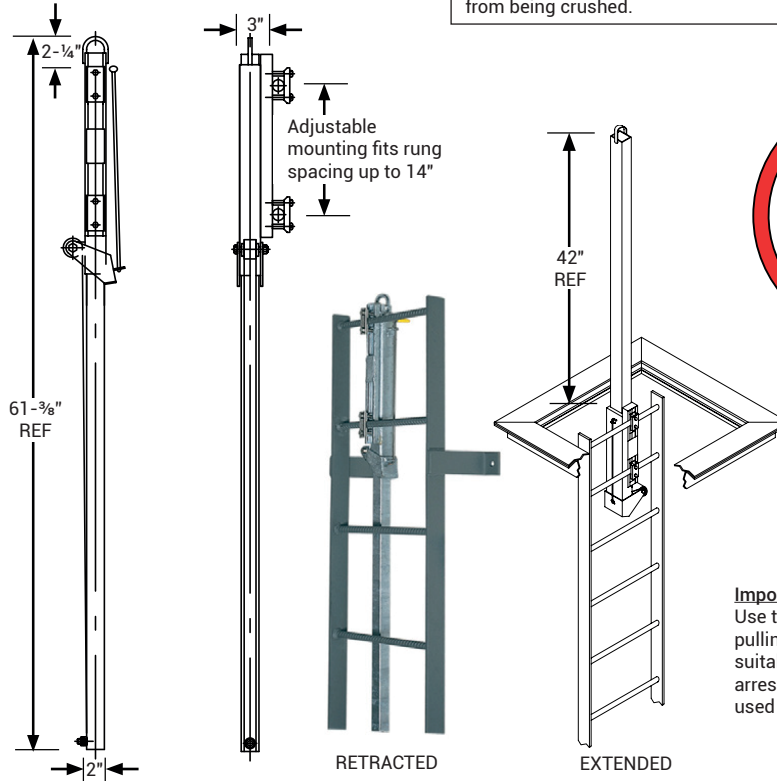
>> CLICK TO VIEW ADDITIONAL DETAILS AND PRICING <<

STANDARD SIZES:

MODEL	MATERIAL	FINISH	WEIGHT
RSLP-G	Steel	Hot-dip galvanized	23 lbs

NOTES:

Ensure the ladder is of structurally sound quality – Hollow rungs not recommended and must be internally reinforced to prevent the rungs from being crushed.



Important: Use top loop for raising and pulling up the post only. It is not suitable for attaching a safety fall arrest harness and should not be used for this purpose.

For a complete list of options visit www.AccessDoorsAndPanels.com

PROJECT DATA

Custom Sizes Available - Fast!

Scan or Click



To view Pricing and Additional Product Info.

PROJECT NAME :	QTY	W	H	OPTIONS
ARCHITECT :				
DEALER :				
CONTRACTOR :				
LOCATION :	SPECIAL INSTRUCTIONS :			
DATE :	SUBMITTAL APPROVAL : (signature or stamp)			
TAGGING INSTRUCTIONS :				

TELEPHONE:
1-888-457-1275
FAX:
1-888-626-2907



PO BOX 66738 #76520,
SAINT LOUIS, MO
63166-6738
USA



WEBSITE:
www.AccessDoorsAndPanels.com
E-MAIL:
info@AccessDoorsAndPanels.com