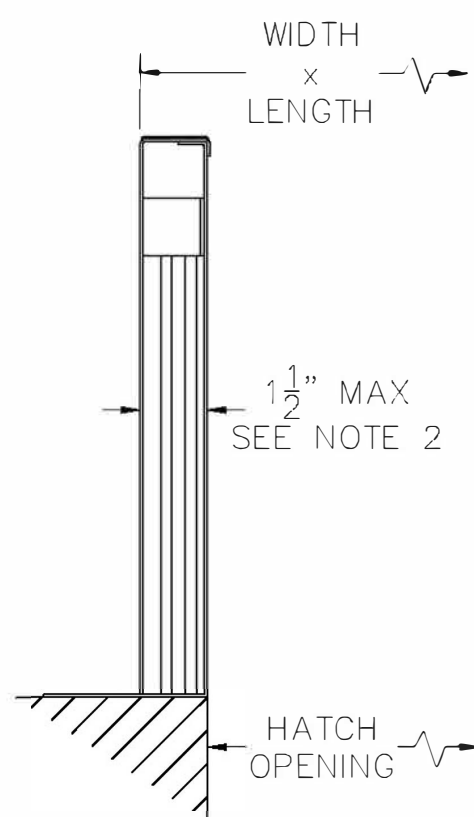


CURB
W/
CAPFLASHING



FULLY
ENCLOSED
CURB

	WIDTH	LENGTH (HINGE SIDE)
SIZE		
GATE SWING	<input type="checkbox"/> LEFT HAND (SHOWN)	<input type="checkbox"/> RIGHT HAND
GATE LOCATION	<input type="checkbox"/> 1	<input type="checkbox"/> 2
	<input type="checkbox"/> 3	<input type="checkbox"/> 4
	<input type="checkbox"/> SINGLE LEAF	<input type="checkbox"/> DOUBLE LEAF
	<input type="checkbox"/> CAPFLASHING	<input type="checkbox"/> FULLY ENCLOSED

- NOTES:
1. CUSTOMER RESPONSIBLE FOR STRUCTURAL INTEGRITY OF MOUNTING SURFACE
 2. IF GREATER THAN 1 1/2" CUSTOMER MUST PROVIDE MOUNTING BOLTS
 3. BIL-GUARD NOT AVAILABLE FOR DOMED UNITS
 4. SIDES ≤ 4'-6" REQUIRE (1) RAIL
SIDES > 4'-6" REQUIRE (2) OR MORE RAILS

Customer: _____

P.O. N° _____

Job: _____

Sales Rep: _____

BIL-GUARD®
HATCH RAIL SYSTEM FOR EXISTING
ROOF HATCHES & FIRE VENTS

QTY _____ TYPE RL SIZE W x L _____

CUSTOMER FIELD DIMENSIONS

© 11-1-06 THE BILCO COMPANY