



JL INDUSTRIES

SUBMITTAL/TECHNICAL DATA SHEET

DESCRIPTIONS

Roof Hatch provides safe and easy access to rooftops using ladders and stairs.

SPECIFICATIONS

MATERIAL:

STEEL - 14 gauge galvanized steel curb and cover with 22 gauge galvanized steel liner.

ALUMINUM - .090 gauge aluminum curb and cover with 22 gauge aluminum liner.

FINISH: Gray prime coat on steel, silver prime coat on aluminum.

GASKETING: Continuous bulb neoprene door seal.

INSULATION: 1/2" fiberboard in curb and 1" fiberglass in cover.

HINGES: Heavy-duty galvanized steel.

INSULATION: 3" polyisocyanurate in curb and cover with thermal resistance R-20.

SPRINGS: Pressure intensifiers with compression spring provide lift assistance.

LATCH: Zinc plated single point slam latch.

HOLD OPEN ARM: Galvanized steel automatic hold-open arms with red vinyl handles.

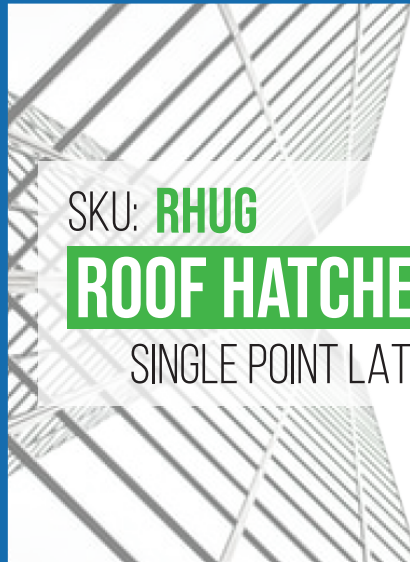
SIZING:

Minimum 24" x 24"
Maximum: 48" x 54"

For larger sizes see Dura-Hatch
Two-Point Latch-RHU

Curb Opening = Order Size

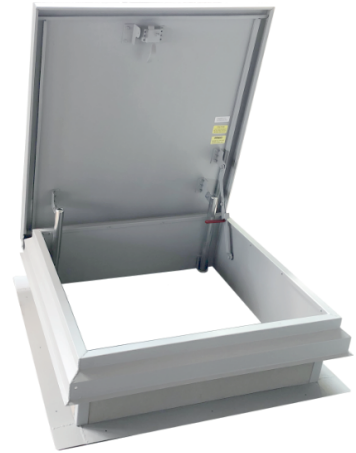
For a complete list of options visit
www.AccessDoorsAndPanels.com



SKU: **RHUG**

ROOF HATCHES

SINGLE POINT LATCH

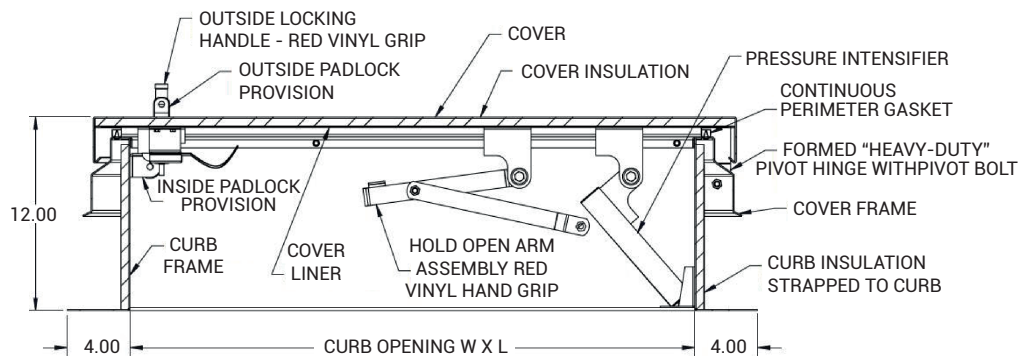
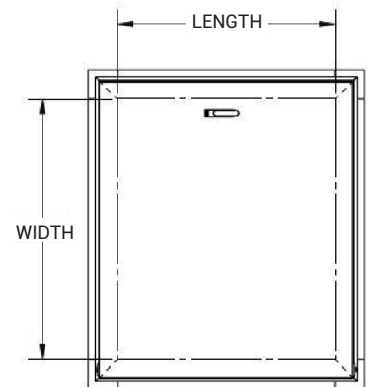


DIMENSIONS AND APPEARANCE

>> CLICK TO VIEW ADDITIONAL DETAILS AND PRICING <<

STANDARD SIZES:

MODEL	SIZE W X L	PRIOR DURRED MODEL	MATERIAL	TYPE
RHUA-2424PSI	24" x 24"	LHA-2424	Aluminum	LADDER
RHUA-3030PSI	30" x 30"	LHA-3030	Aluminum	LADDER
RHUA-1PSI	36" x 30"	LHA-3036	Aluminum	LADDER
RHUA-2PSI	30" x 54"	LHA-3054	Aluminum	STAIR
RHUA-4PSI	36" x 36"	LHA-3636	Aluminum	LADDER
RHUA-3648PSI	36" x 48"	LHA-2424	Aluminum	LADDER
RHUA-5PSI	48" x 48"	LHA-3030	Aluminum	LADDER
RHUG-2424PG	24" x 24"	LHG-2424	Galvanized Steel	LADDER
RHUG-3030PG	30" x 30"	LHG-3030	Galvanized Steel	LADDER
RHUG-1PG	36" x 30"	LHG-3036	Galvanized Steel	LADDER
RHUG-2PG	30" x 54"	LHG-3054	Galvanized Steel	STAIR
RHUG-4PG	36" x 36"	LHG-3636	Galvanized Steel	LADDER
RHUG-3648PG	36" x 48"	LHG-3648	Galvanized Steel	LADDER
RHUG-5PG	48" x 48"	SSHG-4848	Galvanized Steel	LADDER



PROJECT DATA

Custom Sizes Available - Fast!

PROJECT NAME :	QTY	W	H	OPTIONS
ARCHITECT :				
DEALER :				
CONTRACTOR :				
LOCATION :	SPECIAL INSTRUCTIONS :			
DATE :	SUBMITTAL APPROVAL : (signature or stamp)			
TAGGING INSTRUCTIONS :				

Scan or Click



To view Pricing and
Additional Product Info.



TELEPHONE:
1-888-457-1275
FAX:
1-888-626-2907



PO BOX 66738 #76520,
SAINT LOUIS, MO
63166-6738
USA



WEBSITE:
www.AccessDoorsAndPanels.com
E-MAIL:
info@AccessDoorsAndPanels.com