

APPLICATION

RHA and RHG roof hatches are designed to provide convenient, economical access to the roofs of buildings. They are available in either white prime coated galvanized steel (RHG) or aluminum (RHA). All hatches are designed with weather resistant gasketing to ensure long life, low maintenance and ease of operation. Roof hatches install easily over the roof opening and are secured from the base flange to the roof deck.

SPECIFICATIONS

MATERIAL: RHG cover is 14 gauge galvanized steel and 20 gauge steel liner. RHA cover is .090" aluminum with a .050 aluminum liner. The inside of the cover is gasketed with a neoprene weather seal to provide a flush, tight, fit. Covers are insulated with 1" (25) of fibreboard and are designed to support a snow load of 40 lbs. per square foot. The frame for the RHG Series is 14 gauge galvanized steel and the frame for the RHA Series is .090" aluminum.

CURB: Curbs are 12" (305) high with 4" (102) wide rounded corner flashing flange complete with 1" (25) fibreboard insulation.

HINGE: Formed steel hinges with stainless steel pins.

OPENING: Hydraulic column operators allow cover to open and close easily.

DEVICE: Cover is equipped with an automatic hold open arm with a red vinyl grip release that keeps the cover in an open position when needed, and allows for easy control when lowering the latch cover.

HANDLE: Self latching outside cadmium plated steel turn handle with inside lever handle allows cover to always latch securely.

LATCH: Locking hasps are located both inside and outside of the cover. All hardware is cadmium plated steel.

FINISH: RHG Series is a primed white finish. RHA Series is an aluminum mill finish.



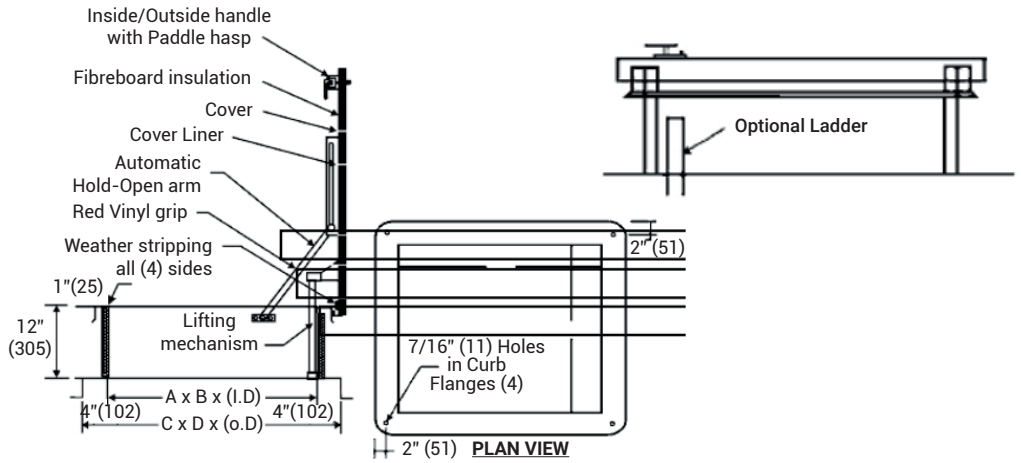
SKU: **RHA**
ROOF HATCH



DIMENSIONS AND APPEARANCE

>> CLICK TO VIEW ADDITIONAL DETAILS AND PRICING <<

'B' X 'A' DOOR	INSIDE FRAME DIM.	OUTSIDE FRAME DIM.	ROOF OPENING	SHIPPING WEIGHT RHA (lbs.)	SHIPPING WEIGHT RHG (lbs.)	GALVANIZED MODEL #	ALUMINUM MODEL #
24" X 24"	24" X 24"	31" X 31"	24" X 24"	60.0	125	RHG2424	RHA2424
24" X 30"	24" X 30"	31" X 37"	24" X 30"	65.0	130	RHG2430	RHA2430
24" X 36"	24" X 36"	31" X 43"	24" X 36"	70.0	135	RHG2436	RHA2436
30" X 30"	30" X 30"	37" X 37"	30" X 30"	80.0	145	RHG3030	RHA3030
30" X 36"	30" X 36"	37" X 43"	30" X 36"	85.0	155	RHG3036	RHA3036
30" X 54"	30" X 54"	37" X 61"	30" X 54"	135.0	225	RHG3054	RHA3054
30" X 96"	30" X 96"	37" X 103"	30" X 96"	245.0	335	RHG3696	RHA3696
36" X 36"	36" X 36"	43" X 43"	36" X 36"	110.0	200	RHG3636	RHA3636
36" X 48"	36" X 48"	43" X 55"	36" X 48"	270.0	430	RHG3648	RHA3648
48" X 48"	48" X 48"	55" X 55"	48" X 48"	305.0	430	RHG4848	RHA4848



(Dimension) Denotes Millimetres
Note: The hinge is always furnished on the "A" or height (longer) dimension, unless otherwise specified.

SUFFIX	OPTIONAL VARIATIONS
-BA	Buy American Act Compliant Product
-PA	Pennsylvania Steel Act Compliant Product

For a complete list of options visit www.AccessDoorsAndPanels.com

PROJECT DATA

Custom Sizes Available - Fast!

Scan or Click



To view Pricing and Additional Product Info.

PROJECT NAME :	QTY	W	H	OPTIONS
ARCHITECT :				
DEALER :				
CONTRACTOR :				
LOCATION :	SPECIAL INSTRUCTIONS :			
DATE :	SUBMITTAL APPROVAL : (signature or stamp)			
TAGGING INSTRUCTIONS :				

TELEPHONE:
1-888-457-1275
FAX:
1-888-626-2907



PO BOX 66738 #76520,
SAINT LOUIS, MO
63166-6738
USA



WEBSITE:
www.AccessDoorsAndPanels.com
E-MAIL:
info@AccessDoorsAndPanels.com