

Location: _____



RHA, RHG

ROOF HATCH

Specification: MIFAB Series RHA and RHG roof hatches are designed to provide convenient, economical access to the roofs of buildings. Available in either white prime coated galvanized steel (RHG) or aluminum (RHA). All hatches are manufactured with weather resistant gasketing to ensure long life, low maintenance and ease of operation. MIFAB's roof hatches are designed for safety, durability and ease of operation. Roof hatches install easily over the roof opening and are secured from the base flange to the roof deck.



Material: RHG cover is 14 gage galvanized steel and 20 gauge steel liner. RHA cover is .090" aluminum with a .050 aluminum liner. The inside of the cover is gasketed with a neoprene weather seal to provide a flush, tight, fit. Covers are insulated with 1" (25) of fibreboard and are designed to support a snow load of 40 lbs. per square foot. The frame for the RHG Series is 14 gage galvanized steel and the frame for the RHA Series is .090" aluminum.

Curb: Curbs are 12" (305) high with 4" (102) wide rounded corner flashing flange complete with 1" (25) fibreboard insulation.

Hinge: Formed steel hinges with stainless steel pins.

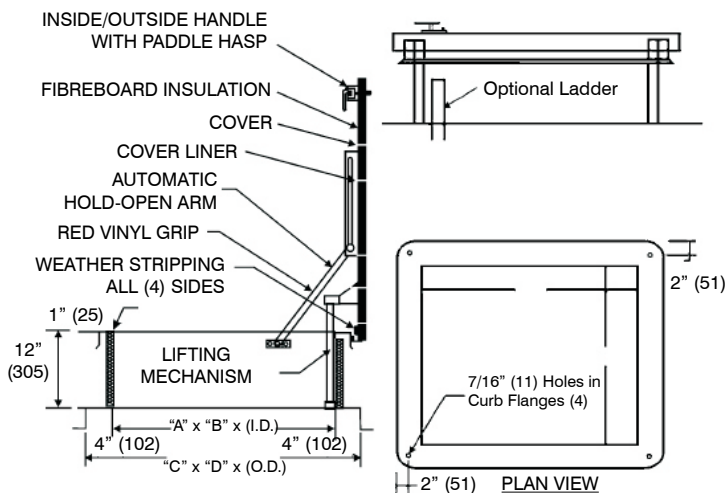
Finish: RHG Series is a primed white finish. RHA Series is an aluminum mill finish.

Opening: Hydraulic column operators allow cover to open and close easily.

Device: Cover is equipped with an automatic hold open arm with a red vinyl grip release that keeps the cover in an open position when needed, and allows for easy control when lowering the latch cover.

Handle: Self latching outside cadmium plated steel turn handle with inside lever handle allows cover to always latch securely.

Latch: Locking hasps are located both inside and outside of the cover. All hardware is cadmium plated steel.



Optional Accessories:

- Bolt-on Style Ladders
- Handrail Extensions
- Ship's Ladder Configurations with side rails
- Pop Up Safety Post

SUFFIX OPTIONAL VARIATIONS

- BA Buy American Act compliant product
- PA Pennsylvania Steel Act compliant product

"B" x "A"	INSIDE FRAME DIM.	OUTSIDE FRAME DIM.	ROOF OPENING	SHIPPING WEIGHT RHA (Lbs.)	SHIPPING WEIGHT RHG (Lbs.)	GALVANIZED MODEL #	ALUMINUM MODEL #
24" x 24"	24" x 24"	31" x 31"	24" x 24"	60.0	125.0	RHG2424	RHA2424
24" x 30"	24" x 30"	31" x 37"	24" x 30"	65.0	130.0	RHG2430	RHA2430
24" x 36"	24" x 36"	31" x 43"	24" x 36"	70.0	135.0	RHG2436	RHA2436
30" x 30"	30" x 30"	37" x 37"	30" x 30"	80.0	145.0	RHG3030	RHA3030
30" x 36"	30" x 36"	37" x 43"	30" x 36"	85.0	155.0	RHG3036	RHA3036
30" x 54"	30" x 54"	37" x 61"	30" x 54"	135.0	225.0	RHG3054	RHA3054
30" x 96"	30" x 96"	37" x 103"	30" x 96"	245.0	335.0	RHG3096	RHA3096
36" x 36"	36" x 36"	43" x 43"	36" x 36"	110.0	200.0	RHG3636	RHA3636
36" x 48"	36" x 48"	43" x 55"	36" x 48"	270.0	430.0	RHG3648	RHA3648
48" x 48"	48" x 48"	55" x 55"	48" x 48"	305.0	430.0	RHG4848	RHA4848

(Dimension) Denotes Millimetres

Note: The hinge is always furnished on the "A" or height (longer) dimension, unless otherwise specified.

Job Name: _____	Page No: _____
Section No: _____	Contract: _____
Schedule No: _____	Purchase Order No: _____