

# SUBMITTAL/TECHNICAL DATA SHEET



## SPECIFICATIONS

### MATERIAL:

- M: 14 gauge galvanized steel cover and curb
- RB: 14 gauge galvanized steel cover and curb
- RC: .090 Aluminum cover and 14 gauge galvanized steel curb
- RD: .090 Aluminum cover and curb

### FINISH:

- Galvanized Steel: White Powder Coat
- Aluminum: Mill Finish

### COVER: Covers open easily to 90 degrees

- M & RB: 14 gauge galvanized steel exterior with 22 gauge galvanized steel liner bonded to core of 1" rigid styrofoam insulation (M Style) or 1" fiberglass insulation (RB Style).
- RC & RD: Mill finish .090 aluminum exterior with .063 aluminum liner with 1" fiberglass insulation. (RD-1 uses 1" Styrofoam insulation).

### CURB:

- M, RB & RC: 14 gauge galvanized steel with a 12" high curb, integral counterflashing, 3-1/2" wide mounting flanges with pre-drilled holes and 1" exterior fiberboard insulation
- RD: Mill finish .090 aluminum with a 12" high curb, integral counterflashing, 3-1/2" wide mounting flanges with pre-drilled holes and 1" exterior fiberboard insulation

**GASKET:** Extruded EPDM rubber gasket adhered to cover

**HINGES:** Steel Pintle Hinge

**LIFT ASSIST:** Cover operation is assisted by enclosed heavy-duty Torsion Coil Spring

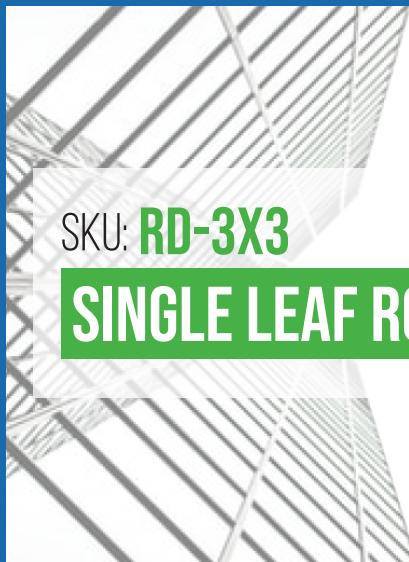
**LATCHES:** Slam latch with exterior handles and padlock hasps.

**HARDWARE:** All hardware is zinc plated (stainless steel hardware optional)

### LOAD CAPACITY:

- M & RD-1: 70 psf
- RB, RC & RD-3x3: 40 psf

For a complete list of options visit [www.AccessDoorsAndPanels.com](http://www.AccessDoorsAndPanels.com)



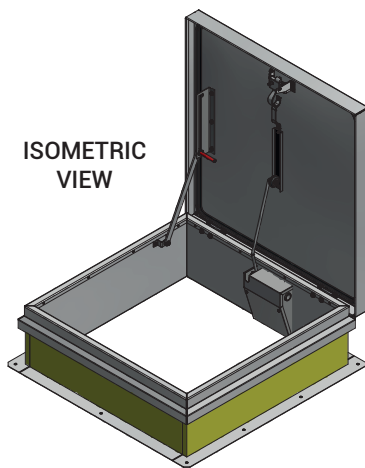
SKU: **RD-3X3**

## SINGLE LEAF ROOF HATCH

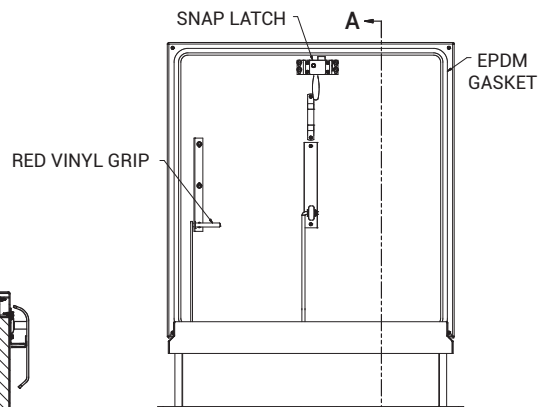


## DIMENSIONS AND APPEARANCE

>> CLICK TO VIEW ADDITIONAL DETAILS AND PRICING <<



ISOMETRIC VIEW



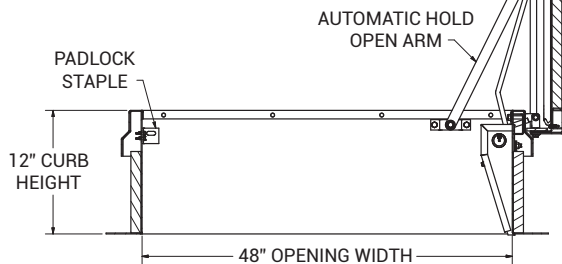
SNAP LATCH

EPDM GASKET

RED VINYL GRIP

PADLOCK HASP

See more Details on Submittal Sheet



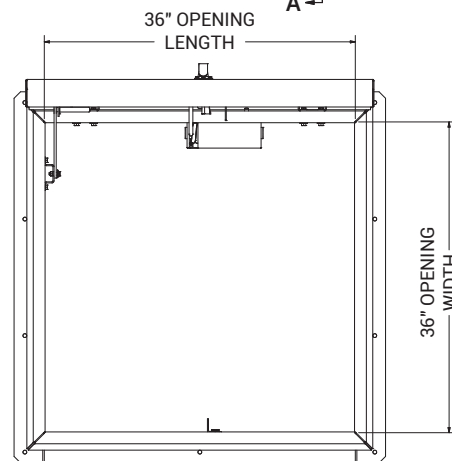
PADLOCK STAPLE

AUTOMATIC HOLD OPEN ARM

12" CURB HEIGHT

48" OPENING WIDTH

SECTION A-A



36" OPENING LENGTH

36" OPENING WIDTH

## PROJECT DATA

Custom Sizes Available - Fast!

PROJECT NAME :	QTY	W	H	OPTIONS
ARCHITECT :				
DEALER :				
CONTRACTOR :				
LOCATION :	SPECIAL INSTRUCTIONS :			
DATE :	SUBMITTAL APPROVAL : (signature or stamp)			
TAGGING INSTRUCTIONS :				

Scan or Click



To view Pricing and Additional Product Info.



TELEPHONE:  
1-888-457-1275  
FAX:  
1-888-626-2907



PO BOX 66738 #76520,  
SAINT LOUIS, MO  
63166-6738  
USA

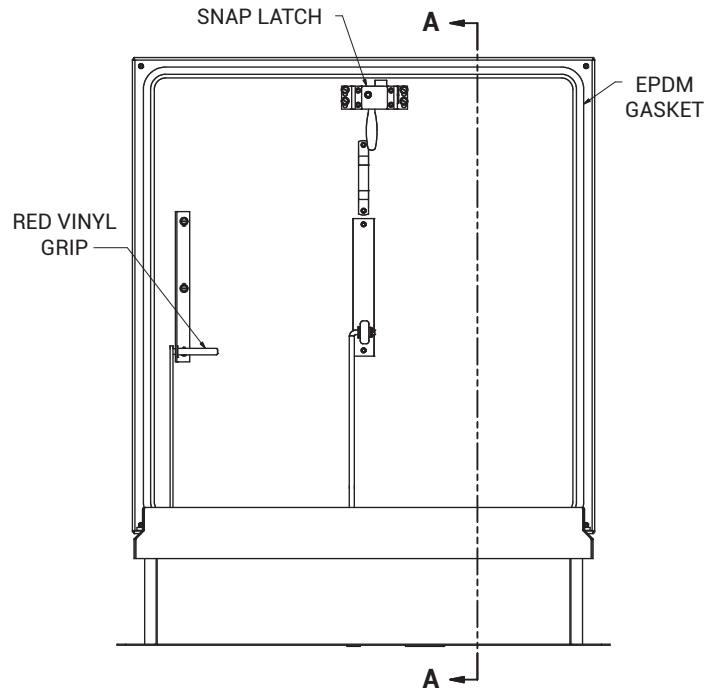
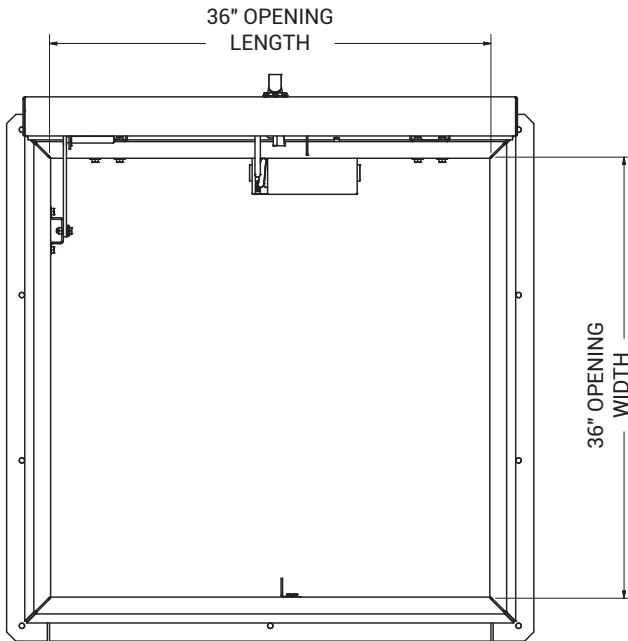


WEBSITE:  
[www.AccessDoorsAndPanels.com](http://www.AccessDoorsAndPanels.com)  
E-MAIL:  
[info@accessdoorsandpanels.com](mailto:info@accessdoorsandpanels.com)



# RD-3X3

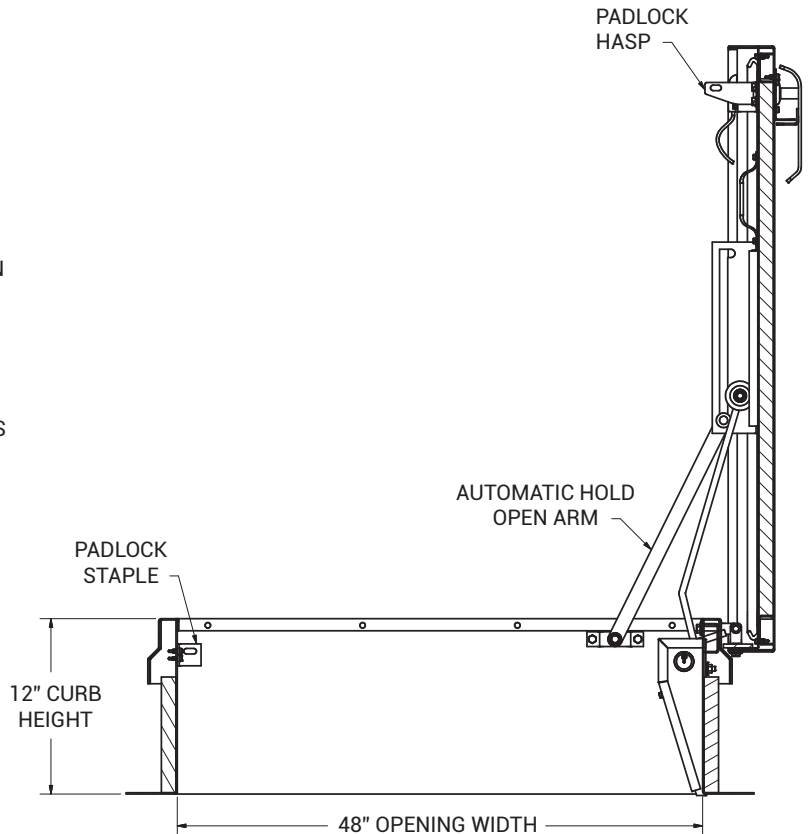
# SINGLE LEAF ROOF HATCH



**NOTES:**

SIZE: 3'-0" X 3'-0"

1. CURB MATERIALS
  - a. 0.090 ALUMINUM CURB
2. CURB CAP MATERIALS
  - b. 0.090 ALUMINUM CURB CAP
3. CURB INSULATION THICKNESS AND MATERIALS
  - c. 1" RIGID FIBERBOARD CURB INSULATION
4. COVER MATERIALS
  - d. 0.090 ALUMINUM COVER
5. COVER LINER MATERIALS
  - e. 0.063 ALUMINUM COVER LINER
6. COVER INSULATION THICKNESS AND MATERIALS
  - f. 1" FIBERGLASS COVER INSULATION
7. COVER RATED FOR 40PSF LIVE LOAD
8. COVER AND CURB ARE MILL FINISH
9. ZINC PLATED HARDWARE



**SECTION A-A**