

SUBMITTAL/TECHNICAL DATA SHEET



SPECIFICATIONS

- MATERIAL:**
- RB: 14 gauge galvanized steel cover and curb
 - RC: .090 Aluminum cover and 14 gauge galvanized steel curb
 - RD: .090 Aluminum cover and curb

- FINISH:**
- Galvanized Steel: White Powder Coat
 - Aluminum: Mill Finish

- COVER:** Covers open easily to 90 degrees
- RB: High-strength composite panels with 14 gauge galvanized steel exterior with 22 gauge galvanized steel liner with 1" fiberglass insulation.
 - RC & RD: Mill finish .090 aluminum exterior with .063 aluminum liner with 1" fiberglass insulation.

- CURB:**
- RB & RC: 14 gauge galvanized steel with a 12" high curb, integral counterflashing, 3-1/2" wide mounting flanges with pre-drilled holes and 1" exterior fiberboard insulation
 - RD: Mill finish .090 aluminum with a 12" high curb, integral counterflashing, 3-1/2" wide mounting flanges with pre-drilled holes and 1" exterior fiberboard insulation

GASKET: Extruded EPDM rubber gasket adhered to cover

HINGES: Steel Pintle Hinge

LIFT ASSIST: Cover operation is assisted by enclosed heavy-duty Torsion Coil Spring

LATCHES: Two-point slam latch system for tight, secure closure with exterior handles and padlock hasps.

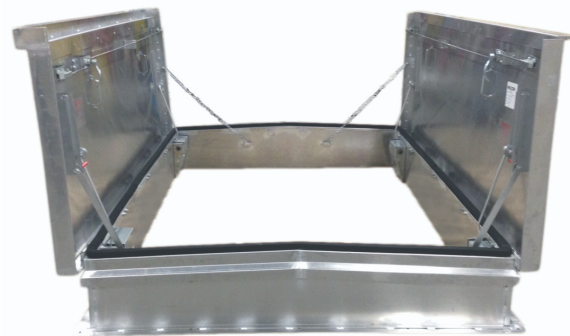
HARDWARE: All hardware is zinc plated (stainless steel hardware optional)

LOAD CAPACITY: 40 psf

For a complete list of options visit www.AccessDoorsAndPanels.com

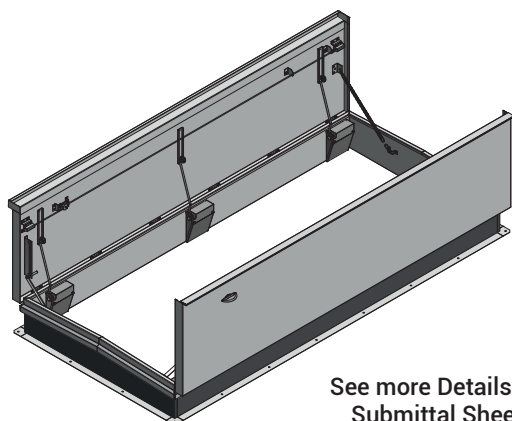
SKU: **RC-4**

DOUBLE LEAF ROOF ASSEMBLY

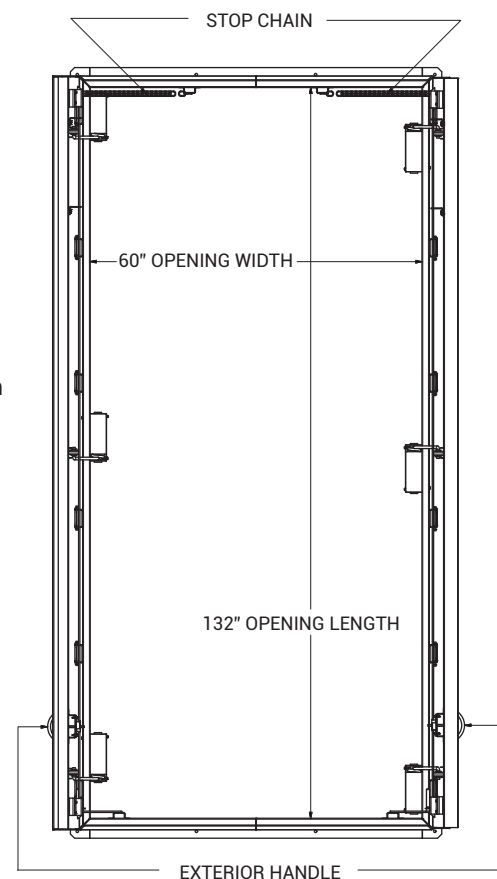
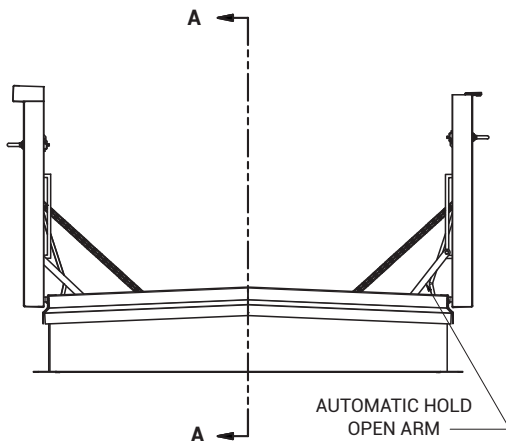


■ DIMENSIONS AND APPEARANCE

>> CLICK TO VIEW ADDITIONAL DETAILS AND PRICING <<



See more Details on Submittal Sheet



■ PROJECT DATA

Custom Sizes Available - Fast!

PROJECT NAME :	QTY	W	H	OPTIONS
ARCHITECT :				
DEALER :				
CONTRACTOR :				
LOCATION :	SPECIAL INSTRUCTIONS :			
DATE :	SUBMITTAL APPROVAL : (signature or stamp)			
TAGGING INSTRUCTIONS :				

Scan or Click



To view Pricing and Additional Product Info.

TELEPHONE:
1-888-457-1275

FAX:
1-888-626-2907

PO BOX 66738 #76520,
SAINT LOUIS, MO
63166-6738
USA



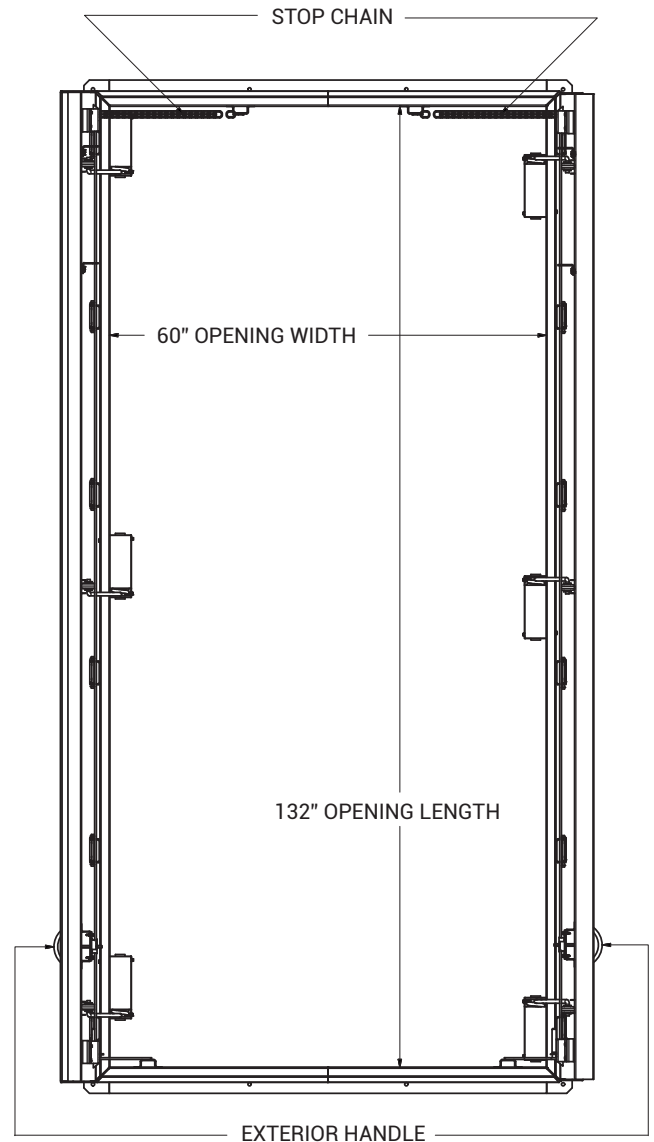
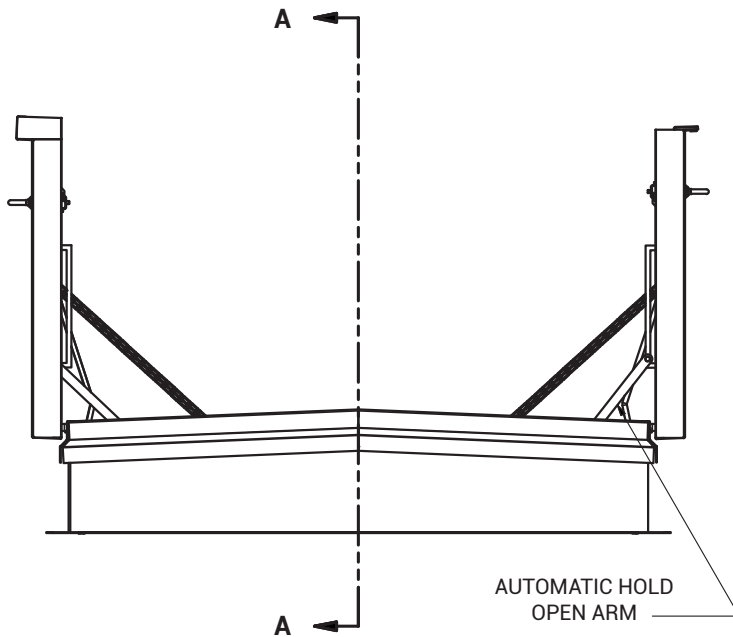
WEBSITE:
www.AccessDoorsAndPanels.com

E-MAIL:
info@accessdoorsandpanels.com



RC-4

DOUBLE LEAF ROOF ASSEMBLY



NOTES:

SIZE: RB-5'0"X11'0"

1) 40psf COVER LIVE LOAD RATING

2) HATCH PAINTED WHITE

3) MATERIALS:

- 14ga GALVANIZED, COVER
- 14ga GALVANIZED, CURB
- 14ga GALVANIZED, COUNTER FLASHING
- 22ga GALVANIZED, COVER LINER

DOUBLE THROW LATCH

RED VINYL GRIP

1" FIBERBOARD INSULATION

SECTION A-A