

SUBMITTAL/TECHNICAL DATA SHEET



SPECIFICATIONS

01. 1/4" x 3" x 3" Steel angle frame
02. 1/4" Steel diamond plate cover
03. Torsion/Cam operating mechanism
04. Standard slam lock
05. Removable square key wrench
06. Automatic hold open arm with Red vinyl grip
07. 3/8" Dia. steel anchor strap
08. 3/8" x 3/4" Steel cover support bar (3 Sides)
09. Steel cast hinges
10. Lock strike
11. Guide arm (If req'd)

SHOP FINISH:

STEEL: Red oxide primer
HARDWARE: Non-corrosive materials
(Unless otherwise specified)

Reinforced for 150 Lbs. Per Sq. Ft. (732 KG. Per Sq. Meter) live load

INSTALLER NOTES:

A. Use caution. Cover is spring loaded. Do not remove safety shipping bolt until unit is to be installed and in normal horizontal operating position.

B. Before anchoring in place open and close door. Check to see that the door in the closed position rests on the frame all around. If not, shim under the frame at the proper corner.

For a complete list of options visit www.AccessDoorsAndPanels.com

| QTY | TYPE | SIZE WIDTH X LENGTH |
|--------------------------|------|------------------------------------|
| <input type="checkbox"/> | Q-1 | 2'-0" X 2'-0" [610mm] X [610mm] |
| <input type="checkbox"/> | Q-2 | 2'-6" X 2'-6" [762mm] X [762mm] |
| <input type="checkbox"/> | Q-3 | 2'-6" X 3'-0" [762mm] X [914mm] |
| <input type="checkbox"/> | Q-4 | 3'-0" X 3'-0" [914mm] X [914mm] |

SKU: **QD-AL**

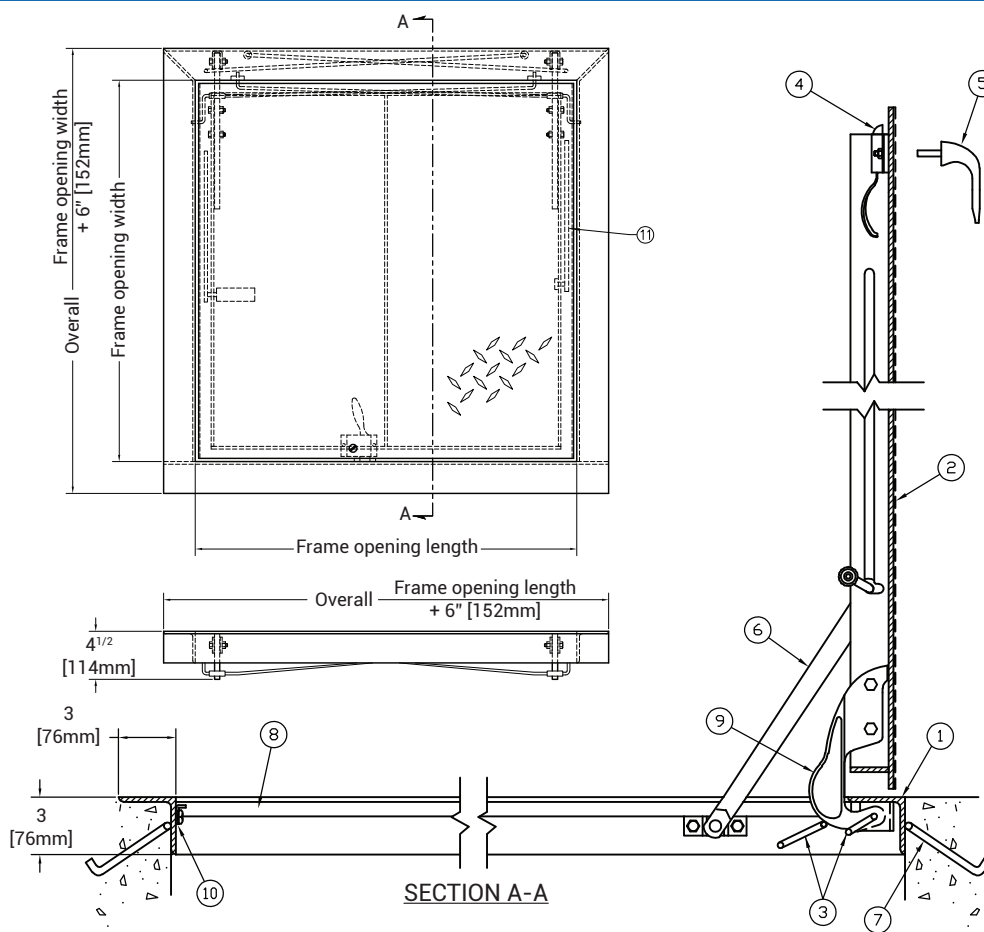
SINGLE LEAF ACCESS DOOR

TYPE Q - INTERIOR



DIMENSIONS AND APPEARANCE

>> CLICK TO VIEW ADDITIONAL DETAILS AND PRICING <<



PROJECT DATA

Custom Sizes Available - Fast!

| | | | | |
|------------------------|--|---|---|---------|
| PROJECT NAME : | QTY | W | H | OPTIONS |
| ARCHITECT : | | | | |
| DEALER : | | | | |
| CONTRACTOR : | | | | |
| LOCATION : | SPECIAL INSTRUCTIONS : | | | |
| DATE : | | | | |
| TAGGING INSTRUCTIONS : | SUBMITTAL APPROVAL : (signature or stamp) | | | |

Scan or Click



To view Pricing and Additional Product Info.

TELEPHONE:
1-888-457-1275
FAX:
1-888-626-2907

PO BOX 66738 #76520,
SAINT LOUIS, MO
63166-6738
USA

WEBSITE:
www.AccessDoorsAndPanels.com
E-MAIL:
info@AccessDoorsAndPanels.com