

# SUBMITTAL/TECHNICAL DATA SHEET



## SPECIFICATIONS

01. 1/4" x 3" x 3" Steel angle frame
02. 1/4" Steel diamond plate cover
03. Torsion/Cam operating mechanism
04. Standard slam lock
05. Removable square key handle
06. Automatic lock open arm
07. 3/8" Dia. anchor strap - aluminum
08. 3/8" x 3/4" Aluminum cover support bar (3 Sides)
09. Stainless steel cast hinges
10. Lock strike

### SHOP FINISH:

- COVER : MILL FINISH
- STEEL : MILL FINISH
- HARDWARE: Non-corrosive materials (Unless otherwise specified)

Unit(s) required as shown (Aluminum Weldment) cover reinf. for 150 lbs. per Sq. Ft.

### INSTALLER NOTES:

A. Use caution. Cover is spring loaded. Do not remove safety shipping bolt until unit is to be installed and in normal horizontal operating position.

B. Before anchoring in place open and close door. Check to see that the door in the closed position rests on the frame all around. If not, shim under the frame at the proper corner.

SKU: **Q-AL**

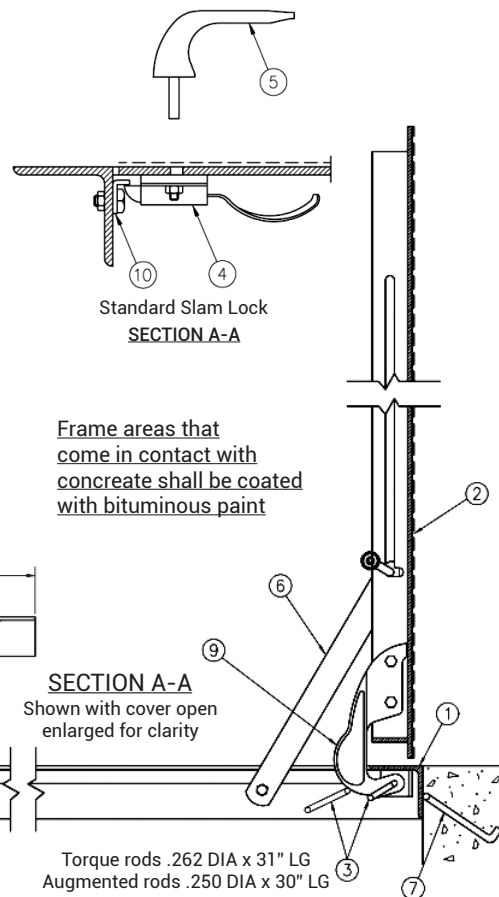
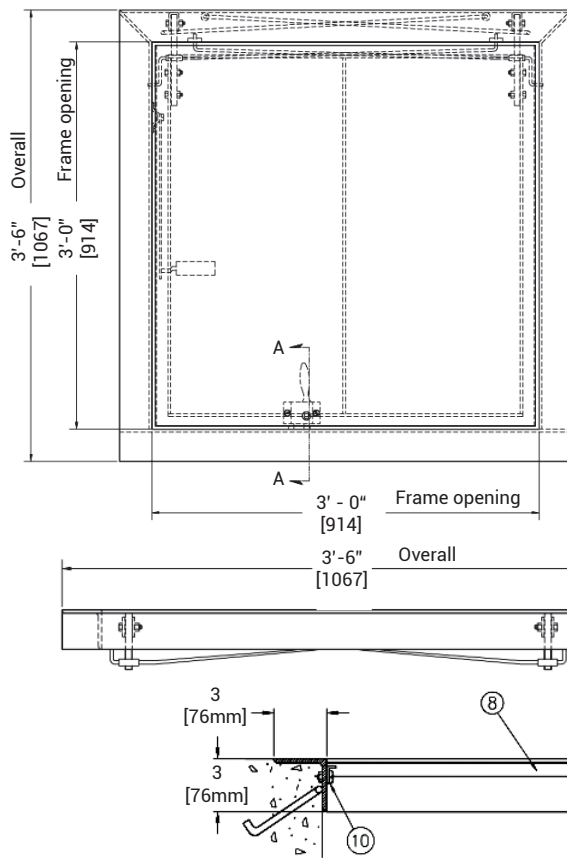
## ALUMINUM SINGLE LEAF INTERIOR ACCESS DOOR

TYPE Q



## DIMENSIONS AND APPEARANCE

>> CLICK TO VIEW ADDITIONAL DETAILS AND PRICING <<



For a complete list of options visit [www.AccessDoorsAndPanels.com](http://www.AccessDoorsAndPanels.com)

## PROJECT DATA

Custom Sizes Available - Fast!

PROJECT NAME :	QTY	W	H	OPTIONS
ARCHITECT :				
DEALER :				
CONTRACTOR :				
LOCATION :	SPECIAL INSTRUCTIONS :			
DATE :				
TAGGING INSTRUCTIONS :	SUBMITTAL APPROVAL : (signature or stamp)			

Scan or Click



To view Pricing and Additional Product Info.

TELEPHONE:  
1-888-457-1275  
FAX:  
1-888-626-2907



PO BOX 66738 #76520,  
SAINT LOUIS, MO  
63166-6738  
USA



WEBSITE:  
[www.AccessDoorsAndPanels.com](http://www.AccessDoorsAndPanels.com)  
E-MAIL:  
[info@AccessDoorsAndPanels.com](mailto:info@AccessDoorsAndPanels.com)