



SUBMITTAL/TECHNICAL DATA SHEET

www.AccessDoorsAndPanels.com

APPLICATION

Installation in plaster walls and ceilings, before the plaster is applied

FEATURES

- An expansion casing bead with 3" wide galvanized lath
- Concealed continuous hinge

SPECIFICATIONS

MATERIAL: Door / Door Frame: 14 gauge

MOUNTING FRAME: Formed door panel, flanged on four sides, flush to edge of frame expansion casing bead with 3" wide galvanized lath, recessed 3/4" to receive plaster

HINGE: Continuous, concealed

STANDARD LATCH: Stainless steel slot screwdriver operated cam latch

OPTIONAL LATCHES/LOCKS: Cylinder lock & key, allen head cam latch, spanner head cam latch, torx

FINISH: 5 stage iron phosphate preparation with prime coat of White alkyd baked-on enamel



SKU: **PS**

FLUSH ACCESS DOOR

FOR PLASTER WALLS & CEILINGS

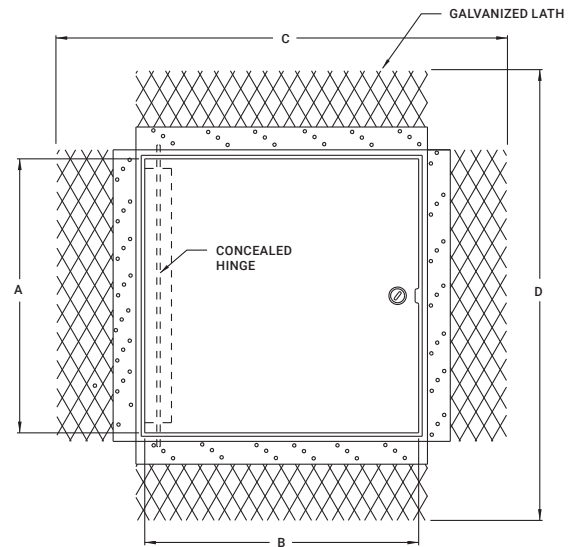
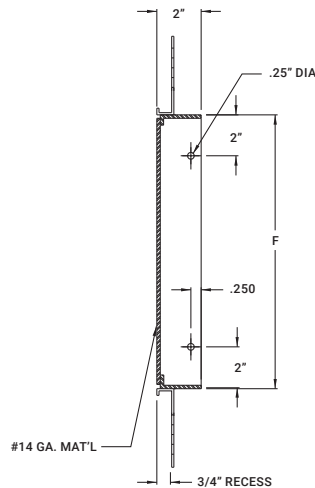
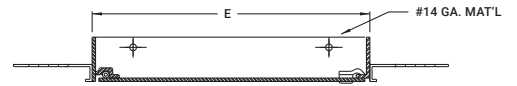


DIMENSIONS AND APPEARANCE

>> CLICK TO VIEW ADDITIONAL DETAILS AND PRICING <<

DOOR SIZE W x H INCHES (MM)	LATCHES	WEIGHT	
		LBS	KG
6 x 6 (152 x 152)	1	3.00	1.4
8 x 8 (203 x 203)	1	3.50	1.5
10 x 10 (254 x 254)	1	4.50	2.0
12 x 12 (305 x 305)	1	6.00	2.7
14 x 14 (355 x 355)	1	7.50	3.3
16 x 16 (406 x 406)	2	9.50	4.2
18 x 18 (457 x 457)	2	11.5	5.1
22 x 22 (560 x 560)	4	15.0	6.7
24 x 24 (610 x 610)	4	19.0	8.4
24 x 36 (610 x 914)	5	28.0	12.4

Wall opening is $W + 3/8"$ (9 mm)
For detailed specifications see submittal sheet



Proprietary property of Acudor Products, Inc., sold and distributed with proper authorization

For a complete list of options visit
www.AccessDoorsAndPanels.com

PROJECT DATA

Custom Sizes Available - Fast!

Scan or Click



To view Pricing and Additional Product Info.

PROJECT NAME :	QTY	W	H	OPTIONS
ARCHITECT :				
DEALER :				
CONTRACTOR :				
LOCATION :	SPECIAL INSTRUCTIONS :			
DATE :				
TAGGING INSTRUCTIONS :	SUBMITTAL APPROVAL : (signature or stamp)			

TELEPHONE:
1-888-457-1275
FAX:
1-888-626-2907



PO BOX 66738 #76520,
SAINT LOUIS, MO
63166-6738
USA



WEBSITE:
www.AccessDoorsAndPanels.com
E-MAIL:
info@AccessDoorsAndPanels.com



PS

FLUSH FOR PLASTER

NOMINAL DOOR SIZE	A	B	C	D	E	F	LOCK
Inches (mm)							
8 x 8 (203 x 203)	7.81 (292)	7.81 (198)	14.00 (355)	14.00 (355)	8 (203)	8 (203)	1
10 x 10 (254 x 254)	9.81 (393)	9.81 (249)	16.00 (406)	16.00 (406)	10 (254)	10 (254)	1
12 x 12 (305 x 305)	11.81 (444)	11.81 (300)	18.00 (457)	18.00 (457)	12 (305)	12 (305)	1
14 x 14 (355 x 355)	13.81 (596)	13.81 (351)	20.00 (508)	20.00 (508)	14 (356)	14 (356)	1
16 x 16 (406 x 406)	15.81 (901)	15.81 (401)	22.00 (560)	22.00 (560)	16 (406)	16 (406)	2
18 x 18 (457 x 457)	17.81 (901)	17.81 (452)	24.00 (610)	24.00 (610)	18 (457)	18 (457)	2
22 x 22 (560 x 560)	21.81 (596)	21.81 (554)	28.00 (711)	28.00 (711)	22 (559)	22 (559)	4
24 x 24 (610 x 610)	23.81 (901)	23.81 (605)	30.00 (762)	30.00 (762)	24 (610)	24 (610)	4
24 x 36 (610 x 914)	35.81 (901)	23.81 (605)	30.00 (762)	42.00 (1070)	24 (610)	36 (914)	5

