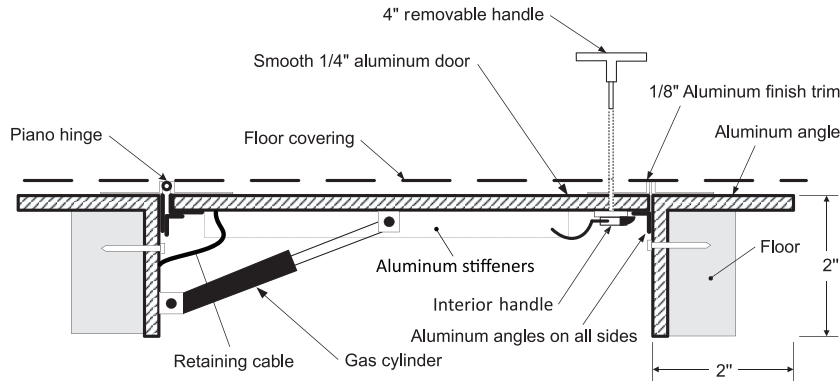
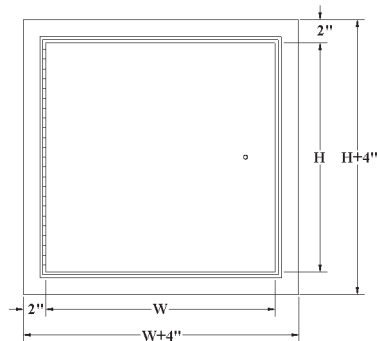


RECESSED ALUMINUM FLOOR HATCH
PPA-RE
INSTALLATION

DIMENSIONS AND APPEARANCE
LEED ready: This product contributes to LEED® credits.

HATCH SIZE - W x H INCHES (MM)	NUMBER OF LOCKS	WEIGHT LBS KG
24 x 24 (609 x 609)	1	35 15.9
24 x 36 (609 x 914)	1	44 20
Rough floor opening is door size + 1/2" or + 13mm		

**Your odd sizes:
Made in 5 days**

Click here to Online Product Page and Pricing


DESCRIPTION AND MATERIAL SPECIFICATION

Material: DOOR: aluminum plate 1/4" (6.35 mm)
FRAME: 2" x 2" x 1/4" aluminum angle

Hinge: heavy duty aluminum continuous piano hinge (0.080")

Lock / latch: 4" removable handle

Recess: 1/4" standard

POPULAR OPTIONS

 For complete list of options go to: www.AccessDoorsAndPanels.com
Recess:

1/8", 3/8", 1/2" and 3/4"

Caution:

The PPA floor access door is designed to support a live load of 300 pounds/sq.foot and includes a hold open arm to keep the door in an open position.

CENDREX PARTNERS

PROJECT DATA

PROJECT NAME:	QTY	W	H	OPTIONS
ARCHITECT:				
DEALER:				
CONTRACTOR:				
LOCATION:	SPECIAL INSTRUCTIONS:			
DATE:				
TAGGING INSTRUCTIONS:	SUBMITTAL APPROVAL: (signature or stamp)			

Email: info@accessdoorsandpanels.com
Website: www.accessdoorsandpanels.com

Phone: 1-800-609-2917
Fax: 1-888-626-2907

Address:
P.O. Box 66738 #76520 Saint Louis