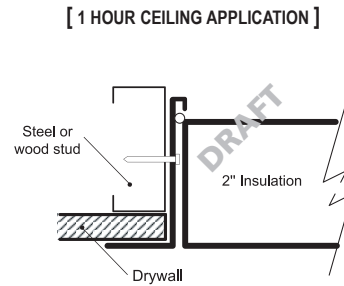
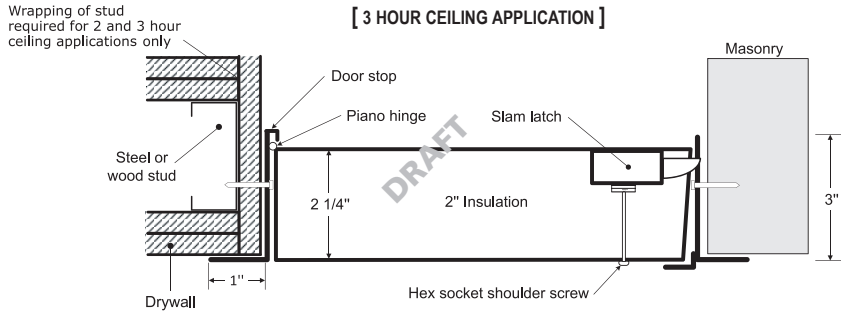




FIRE RATED INSULATED UPWARD OPENING ACCESS DOOR FOR CEILINGS ONLY



INSTALLATION: CEILINGS ONLY



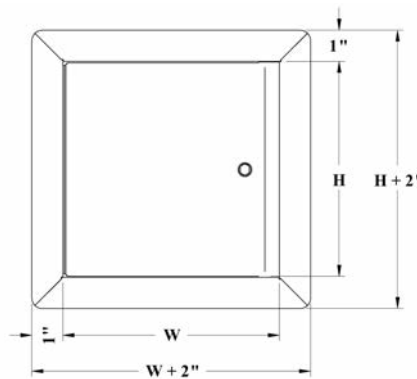
Authorities Having Jurisdiction (AHJ) should be consulted in all cases as to the particular requirements covering the installation and use of fire rated access doors.

DIMENSIONS AND APPEARANCE

LEED ready: This product contributes to LEED® credits.

DOOR SIZE W x H inches (MM)	NUMBER OF LOCKS	WEIGHT LBS KG	
22 x 30 (558 x 762)	1	30	30.6
22 x 36 (558 x 914)	2	37	16.8
24 x 24 (609 x 609)	1	29	13.2
(Clear opening with door opened = W - 3 1/2")			
Rough wall opening is door size + 1/4" or + 6mm			

**Your odd sizes:
Made in 5 days**



DESCRIPTION AND MATERIAL SPECIFICATION

FIRE RATING: For horizontal ceiling assemblies only:

RATING: 3 hours for non-combustible assembly and 1 hour for combustible assembly; Temperature rise: Max 250°F/139°C at 30 mins, 450°F/250°C at 60 mins.
Maximum door size: 24" x 36" or 864 sq inches (see note 1)

STANDARDS LISTED: NFPA 252-2003, UL 10b, UL-555, CAN/ULC S112 M90-R2001, CAN/ULC S104-10, MEA # 507-06-M

NOTE 1: Maximum door size 24" x 36" can also be calculated by multiplying the surface area of the door (24" x 36"). The maximum surface area is 864 sq. inches. All door sizes equal or smaller than 864 sq. inches fall within the standards. In addition, sizing of the doors have a maximum 3" allowance as long as the area of the doors are kept to the minimum requirement.

- Material:** 16 gauge cold rolled steel frame and 20 gauge galvaneal steel door
- Insulation:** 2" thick mineral wool
- Hinge:** continuous piano hinge allows opening to 89°
- Lock / latch:** self latching ring operated slam latch inside and a hex head slam latch outside
- Finish:** high quality white powder coat primer
- Packaging :** individually wrapped, 1 per box

PO PULAR For complete list of options
O PTIO NS go to:
www.AccessDoorsAndPanels.com
Material : stainless steel #4 (brushed finish)



PROJECT DATA

PROJECT NAME:	QTY	W	H	OPTIONS
ARCHITECT:				
DEALER:				
CONTRACTOR:				
LOCATION:	SPECIAL INSTRUCTIONS:			
DATE:				
TAGGING INSTRUCTIONS:	SUBMITTAL APPROVAL: (signature or stamp)			