



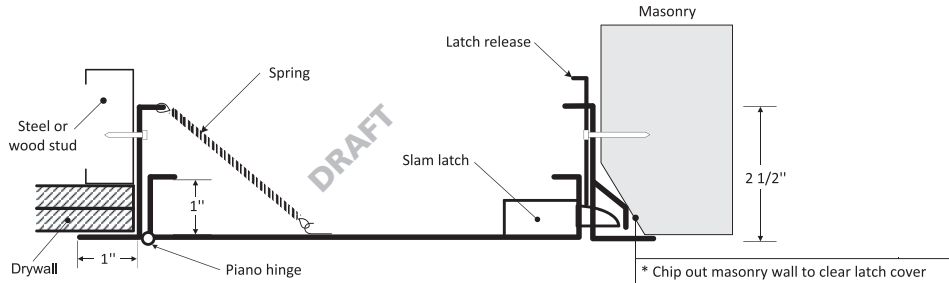
Click here to Online Product Page and Pricing

### FIRE RATED UNINSULATED ACCESS DOOR FOR WALLS ONLY



#### INSTALLATION: WALLS ONLY

[ 3 HOUR WALL APPLICATION ]



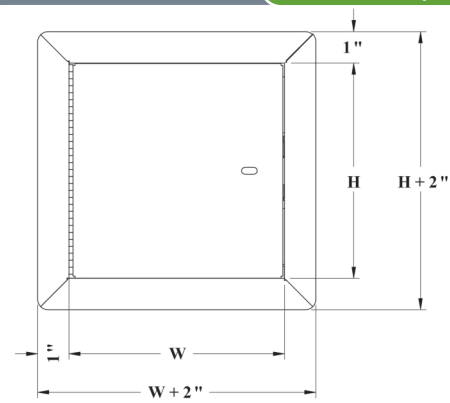
Authorities Having Jurisdiction (AHJ) should be consulted in all cases as to the particular requirements covering the installation and use of fire rated access doors.

#### DIMENSIONS AND APPEARANCE

LEED ready: This product contributes to LEED® credits.

Your odd sizes: Made in 5 days

DOOR SIZE W x H inches (MM)	NUMBER OF LOCKS	WEIGHT LBS KG
8 x 8 (203 x 203)	1	5 2.3
10 x 10 (254 x 254)	1	7 3.2
12 x 12 (304 x 304)	1	8 3.6
14 x 14 (355 x 355)	1	10 4.5
16 x 16 (406 x 406)	1	12 5.5
18 x 18 (457 x 457)	1	14 6.4
22 x 22 (558 x 558)	1	18 8.2
22 x 30 (558 x 762)	1	22 10
22 x 36 (558 x 914)	2	27 12.2
24 x 24 (609 x 609)	1	22 10
24 x 36 (609 x 914)	2	29 13.2
30 x 30 (762 x 762)	1	30 13.6
32 x 32 (812 x 812)	2	33 15
36 x 36 (914 x 914)	2	39 17.7



Rough wall opening is door size + 1/4" or + 6mm



#### DESCRIPTION AND MATERIAL SPECIFICATION

**FIRE RATING:** 2 hour fire barrier, rating 1 1/2 hours.  
Access/Door Frame Assembly (uninsulated) for installation in vertical wall assemblies.

Maximum door size of: 36" x 36".

STANDARDS LISTED: NFPA 252-2003, UI 10b, UI-555, CAN/ULC S112 M90-R2001, CAN/ULC S104-10. MEA # 507-06-M

- Material:** 16 gauge cold rolled steel
- Hinge:** continuous piano hinge
- Lock / latch:** self latching tool-key operated latch and/or ring operated latch, both included
- Inside panel release:** standard on all doors over 12" x 12"

- Automatic panel closer:** standard on all doors
- Finish:** high quality white powder coat primer
- Packaging:** individually wrapped, 1 per box
- POPULAR OPTIONS** For complete list of options go to: [www.AccessDoorsAndPanels.com](http://www.AccessDoorsAndPanels.com)
- Material:** stainless steel #4 (brushed finish),
- Lock / latch:** key operated cylinder cam latch, handle operated slam latch, mortise preparation for cylinder (cylinder optional), hex head slam latch, mortise deadbolt lock
- Masonry anchor:** available on all sizes



#### PROJECT DATA

PROJECT NAME:	QTY	W	H	OPTIONS
ARCHITECT:				
DEALER:				
CONTRACTOR:				
LOCATION:	SPECIAL INSTRUCTIONS:			
DATE:				
TAGGING INSTRUCTIONS:	SUBMITTAL APPROVAL: (signature or stamp)			

**Email:** [info@accessdoorsandpanels.com](mailto:info@accessdoorsandpanels.com)  
**Website:** [www.accessdoorsandpanels.com](http://www.accessdoorsandpanels.com)

**Phone:** 1-800-609-2917  
**Fax:** 1-888-626-2907

**Address:**  
P.O. Box 66738 #76520 Saint Louis