

SUBMITTAL/TECHNICAL DATA SHEET



SPECIFICATIONS

01. Heavy duty forged brass hinges with stainless steel pins
02. Guide arm (If req'd)
03. 1-1/2" drain coupling
04. Standard slam lock
05. Cam assembly
06. Automatic hold open arm w/ red vinyl grip
07. 1/4" Aluminum diamond pattern plate cover
08. 1/4" Aluminum channel frame with extruded anchor flange
09. Stainless steel lock strike
10. Torsion rods (stainless steel)

SHOP FINISH:

ALUMINUM: Mill finish

HARDWARE: Zinc plated & chromate sealed (Unless otherwise specified)

Reinforced for 300 Lbs. Per Sq. Ft. (1464 KG. Per Sq. Meter) live load

INSTALLER NOTES:

A. Use caution. Cover is spring loaded. Do not remove safety shipping bolt until unit is to be installed and in normal horizontal operating position.

B. Be sure unit is set on slight pitch toward drain corner.

C. Before anchoring in place open and close door. Check to see that the door in the closed position rests on the frame all around. If not, shim under the frame at the proper corner.

D. Do not reduce 1 1/2" drain pipe to dry well or disposal system.

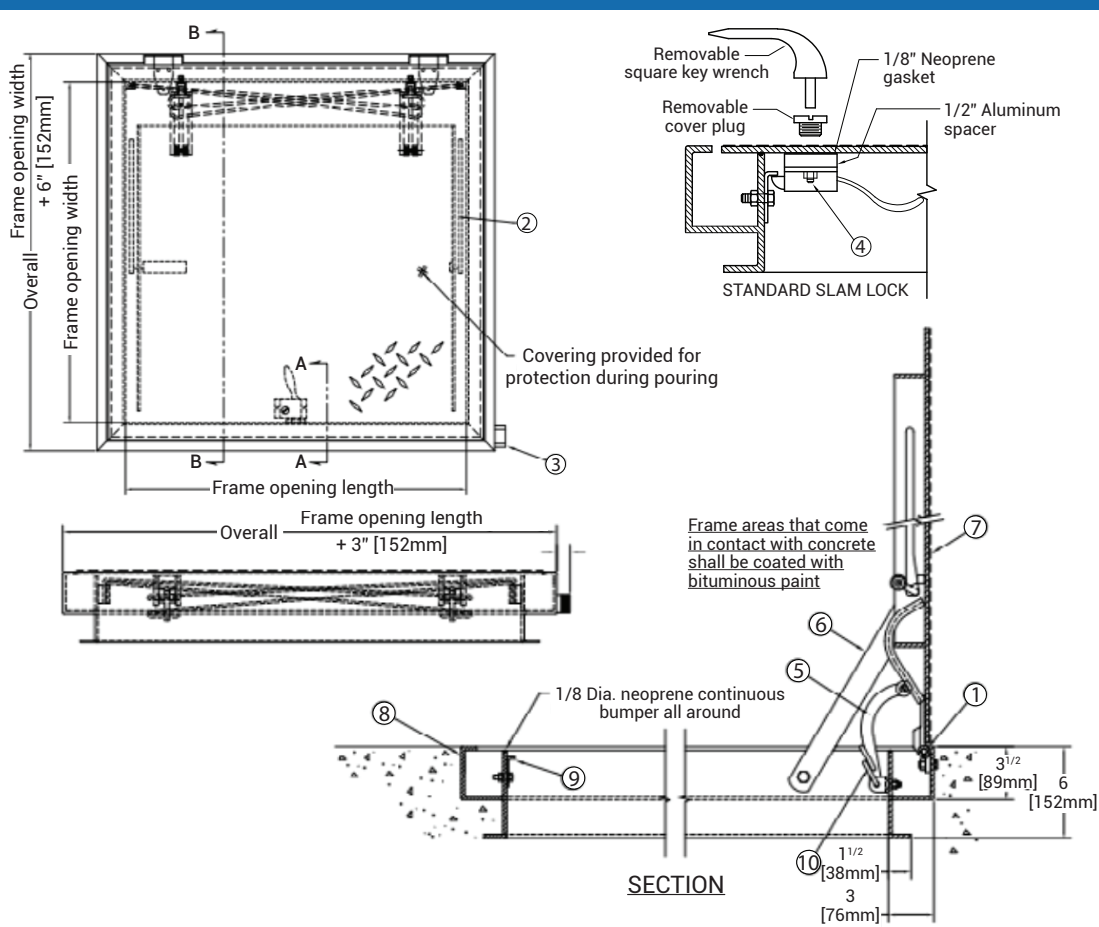
SKU: **PDCM**

ALUM. PRECAST VAULT DRAINAGE FLOOR DOOR



DIMENSIONS AND APPEARANCE

>> CLICK TO VIEW ADDITIONAL DETAILS AND PRICING <<



For a complete list of options visit www.AccessDoorsAndPanels.com

PROJECT DATA

Custom Sizes Available - Fast!

PROJECT NAME :	QTY	W	H	OPTIONS
ARCHITECT :				
DEALER :				
CONTRACTOR :				
LOCATION :	SPECIAL INSTRUCTIONS :			
DATE :				
TAGGING INSTRUCTIONS :	SUBMITTAL APPROVAL : (signature or stamp)			

Scan or Click



To view Pricing and Additional Product Info.

TELEPHONE:
1-888-457-1275
FAX:
1-888-626-2907

PO BOX 66738 #76520,
SAINT LOUIS, MO
63166-6738
USA

WEBSITE:
www.AccessDoorsAndPanels.com
E-MAIL:
info@AccessDoorsAndPanels.com