

SUBMITTAL/TECHNICAL DATA SHEET



SPECIFICATIONS

01. Frame with flashing (Corners full welded)
 - 20VM - 14 gauge P.B. Galv. Steel
 - 50VM - 11 gauge aluminum
02. Pintle hinge
03. Gasket (all around cover)
04. Cover gauge
 - 20VM - 14 gauge P.B. Galv. Steel
 - 50VM - 11 gauge aluminum
05. Cover liner
 - 20VM - 22 gauge P.B. Galv. Steel
 - 50VM - 18 gauge aluminum
06. Spring lifting mechanism
07. 1" rigid fiberglass insulation
08. Slam latch
09. Inside and outside handles with padlock hasps
10. Arm guide bracket
11. 1" thick fiberglass cover insulation
12. Hold open arm w/red vinyl grip
13. Neoprene gasket
14. Lock strike & padlock hasp
15. Anchor tabs (QTY & location varies with size)
16. Guide arm (If req'd)

SHOP FINISH:

- STEEL: Red oxide primer
- ALUMINUM: Mill finish
- HARDWARE: Non-corrosive materials (Unless otherwise specified)

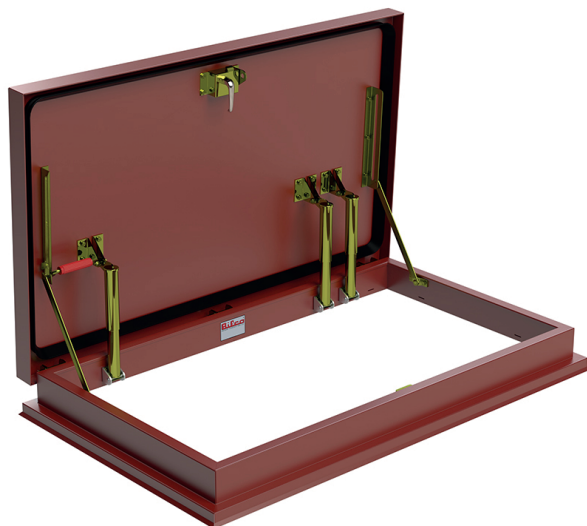
This product may be installed on either a flat or sloping roof. When installed on a slope, the hinge side must run parallel with the slope. If slope exceeds 30', advise factory for modification

For a complete list of options visit www.AccessDoorsAndPanels.com

SKU: **NB-20VM**

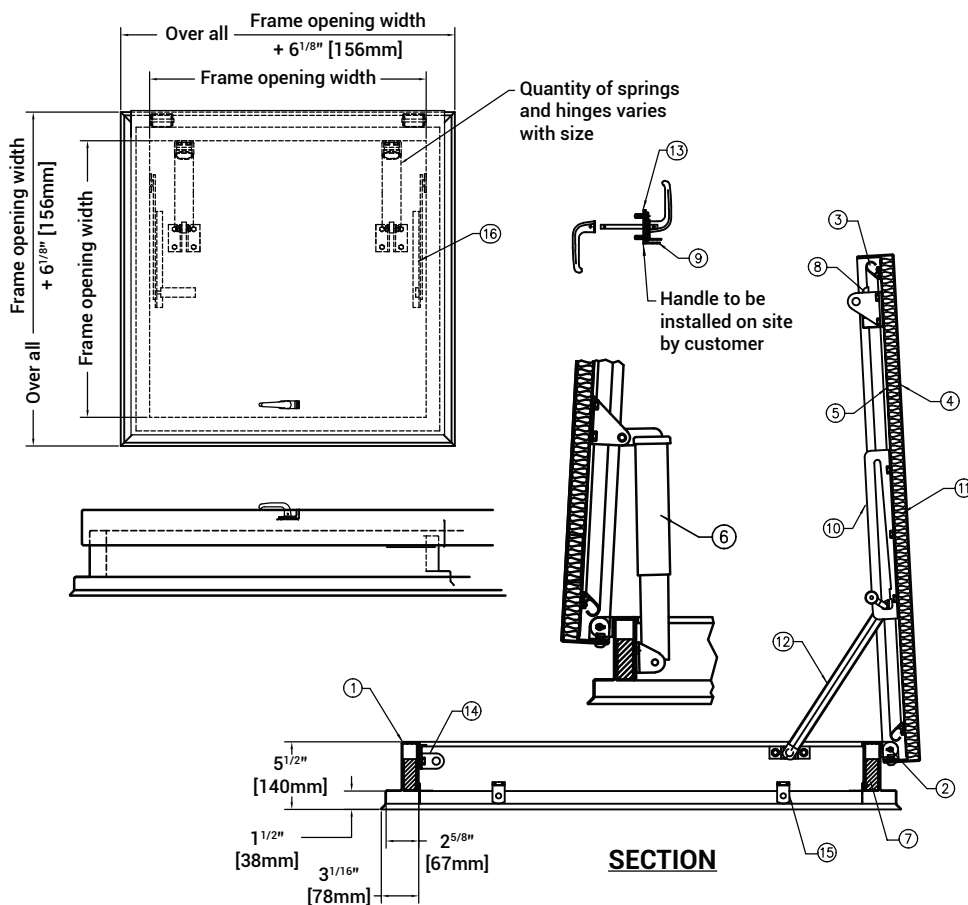
SINGLE LEAF ROOF SCUTTLE

TYPE VM



DIMENSIONS AND APPEARANCE

>> CLICK TO VIEW ADDITIONAL DETAILS AND PRICING <<



For a complete list of options visit

www.AccessDoorsAndPanels.com

QTY	TYPE	QTY	TYPE	SIZE WIDTH X LENGTH
	S-20VM		S-50VM	3'-0" X 2'-6" [914MM] X [762MM]
	E-20VM		E-50VM	3'-0" X 3'-0" [914MM] X [914MM]
	NB-20VM		NB-50VM	2'-6" X 4'-6" [762MM] X [1370MM]
	L-20VM		L-50VM	2'-6" X 8'-0" [762MM] X [2440MM]
	EW-20VM		EW-50VM	3'-3 3/8" X 3'-3 3/8" [1000MM] X [1000MM]

PROJECT DATA

Custom Sizes Available - Fast!

PROJECT NAME :	QTY	W	H	OPTIONS
ARCHITECT :				
DEALER :				
CONTRACTOR :				
LOCATION :	SPECIAL INSTRUCTIONS :			
DATE :				
TAGGING INSTRUCTIONS :	SUBMITTAL APPROVAL : (signature or stamp)			

Scan or Click



To view Pricing and Additional Product Info.

TELEPHONE:
1-888-457-1275

FAX:
1-888-626-2907



PO BOX 66738 #76520,
SAINT LOUIS, MO
63166-6738
USA



WEBSITE:
www.AccessDoorsAndPanels.com

E-MAIL:
info@AccessDoorsAndPanels.com