

Location: _____



MI-SF

SURFACE ACCESS DOOR

Specification: MIFAB Series MI-SF surface access door is designed for surface installation on drywall, masonry, or thin-coat plaster. The door is attached to the frame with a continuous piano hinge allowing 175 degree opening. It has a unique white finish.



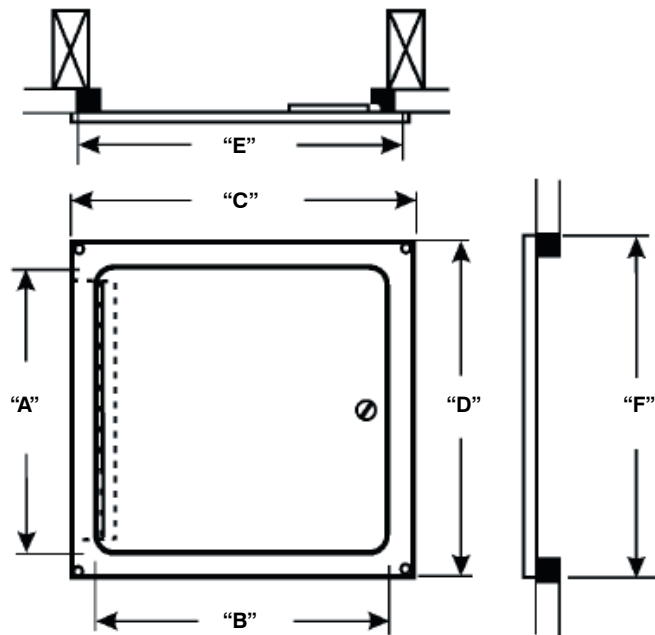
Material: MI-SF Series is 16 gage steel door and frame. The MI-SFSS Stainless Steel Series is 16 gage #304 stainless steel door and frame.
Finish: Satin coat steel doors have a primed white finish. Stainless steel doors have a #4 brush satin finish.
Door: Flush to frame. One 1/4" (6) hole in each corner. A 3/8" (9) wide outer perimeter space of the frame is bent on a fifteen degree angle toward the wall.
Hinge: Continuous piano hinge. 175 degree opening.
Latch: Standard – Flush mounted, screwdriver operated cam. Optional – Allen key, cylinder key, or vandal resistant latch. All of MIFAB's cylinder key locks are keyed alike.
Packaging: Individual pack.

SUFFIX OPTIONAL VARIATIONS

- A Allen key lock
- BA Buy American Act compliant product
- C Cylinder key lock
- PA Pennsylvania Steel Act compliant product
- VP Vandal resistant hardware
(VP Screwdriver included)

"B" x "A"	SHIP WEIGHT (Lbs.)	LATCHES	MILD STEEL MODEL #	STAINLESS STEEL MODEL #
8" x 8"	2.5	1	MI-SF0808	MI-SFSS0808
10" x 10"	3.5	1	MI-SF1010	MI-SFSS1010
12" x 12"	4.0	1	MI-SF1212	MI-SFSS1212
14" x 14"	6.0	1	MI-SF1414	MI-SFSS1414
16" x 16"	8.0	1	MI-SF1616	MI-SFSS1616
18" x 18"	9.5	3	MI-SF1818	MI-SFSS1818
22" x 22"	13.5	3	MI-SF2222	MI-SFSS2222
24" x 24"	16.0	3	MI-SF2424	MI-SFSS2424

A-B Door Size
C-D Overall Dimensions - Door Size - Plus 3" (76)
E-F Wall Opening - Door Size



(Dimension) Denotes Millimetres

Note: The hinge is always furnished on the "A" or height (longer) dimension, unless otherwise specified.

Job Name: _____	Page No: _____
Section No: _____	Contract: _____
Schedule No: _____	Purchase Order No: _____