

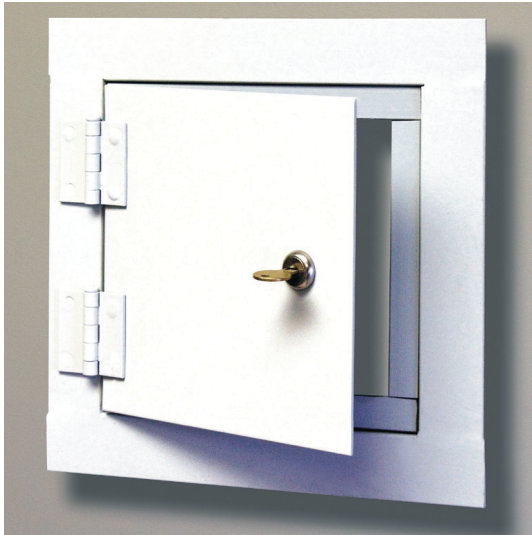
Location: \_\_\_\_\_



# MI-SAD

# MEDIUM SECURITY ACCESS DOOR

**Specification:** MIFAB Series MI-SAD medium security access door is designed for drywall, masonry, or concrete construction, providing the security required in today's schools, hospitals, hotels, and correctional institutions. It has a unique white finish.



**Material:** MI-SAD Series is 12 gage steel door and 3/16" angle steel frame. The MI-SADSS Stainless Steel Series is 12 gage #304 stainless steel door and 3/16" (4) angle stainless steel frame.

**Finish:** Satin coat steel doors have a primed white finish. Stainless steel doors have a #4 brush satin finish.

**Door:** Flush to frame.

**Frame:** 3/16" (4) x 1 1/2" (38) x 1 1/2" (38) angle steel, angle welded with joints ground smooth. The frame has pre-punched 3/16" (4) mounting holes for easy installation.

**Hinge:** Two heavy duty butt hinges welded to the door and frame.

**Latch:** Standard - Cylinder key lock. All of MIFAB's cylinder key locks are keyed alike.

**Packaging:** Individual pack.

"B" x "A"	WALL OPENING	SHIP WEIGHT (Lbs.)	LATCHES	MILD STEEL MODEL #	STAINLESS STEEL MODEL #
8" x 8"	8-1/2" x 8-1/2"	10.0	1	MI-SAD0808	MI-SADSS0808
10" x 10"	10-1/2" x 10-1/2"	11.0	1	MI-SAD1010	MI-SADSS1010
12" x 12"	12-1/2" x 12-1/2"	17.0	1	MI-SAD1212	MI-SADSS1212
14" x 14"	14-1/2" x 14-1/2"	20.0	1	MI-SAD1414	MI-SADSS1414
16" x 16"	16-1/2" x 16-1/2"	24.0	1	MI-SAD1616	MI-SADSS1616
18" x 18"	18-1/2" x 18-1/2"	28.0	1	MI-SAD1818	MI-SADSS1818
18" x 24"	18-1/2" x 24-1/2"	34.0	1	MI-SAD1824	MI-SADSS1824
22" x 22"	22-1/2" x 22-1/2"	37.0	1	MI-SAD2222	MI-SADSS2222
24" x 24"	24-1/2" x 24-1/2"	41.0	1	MI-SAD2424	MI-SADSS2424
24" x 30"	24-1/2" x 30-1/2"	50.0	1	MI-SAD2430	MI-SADSS2430
24" x 36"	24-1/2" x 36-1/2"	56.0	2	MI-SAD2436	MI-SADSS2436
30" x 30"	30-1/2" x 30-1/2"	60.0	2	MI-SAD3030	MI-SADSS3030
36" x 36"	36-1/2" x 36-1/2"	75.0	2	MI-SAD3636	MI-SADSS3636

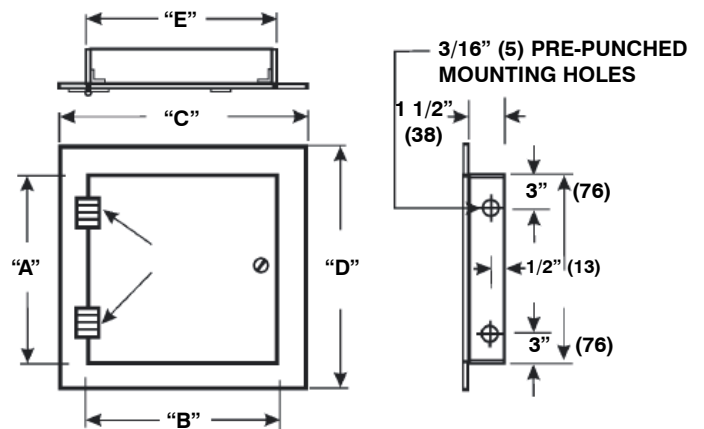
**SUFFIX OPTIONAL VARIATIONS**

- BA Buy American Act compliant product
- PA Pennsylvania Steel Act compliant product

**A-B** Door Size

**C-D** Overall Dimensions - Door Size - Plus 3" (76)

**E-F** Wall Opening - Door Size - Plus 3/8" (10)



(Dimension) Denotes Millimetres

**Note:** The hinge is always furnished on the "A" or height (longer) dimension, unless otherwise specified.

Job Name: _____	Page No: _____
Section No: _____	Contract: _____
Schedule No: _____	Purchase Order No: _____