

Location: \_\_\_\_\_



**PA**

**PLASTIC ACCESS DOOR**

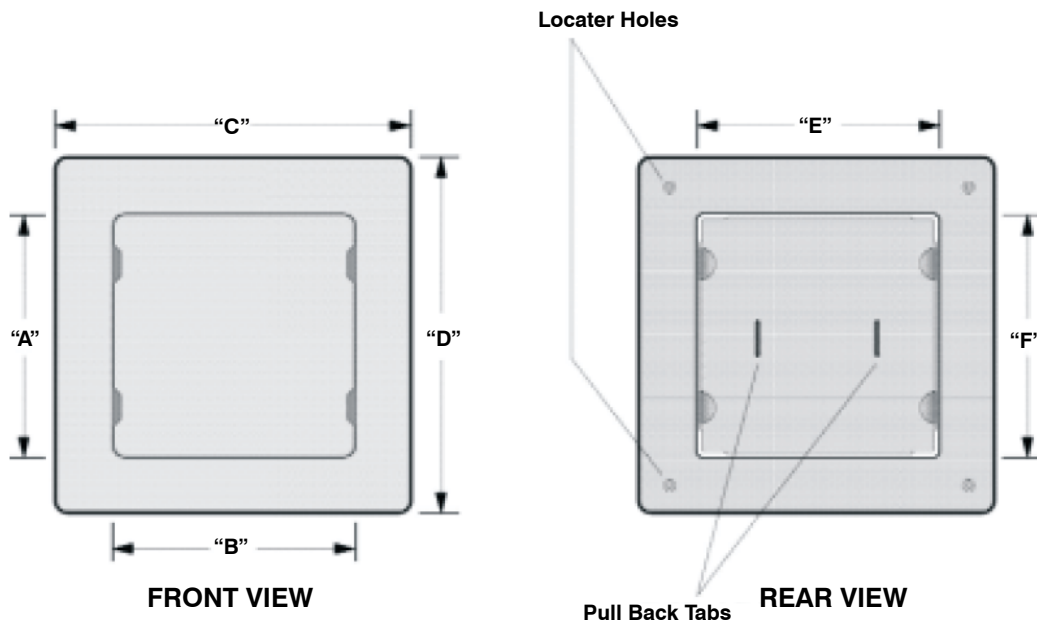
**Specification:** MIFAB Series PA plastic access door is designed to provide easy access to plumbing and cables behind walls and ceilings. The door is removable from the frame and fits tightly with snap latches. The white finish can be painted or wallpapered or left as is to match the surrounding environment. This door should not be installed near any existing or potential source of excessive heat or open flame.



**Material:** PA Series is made of 1/8" (3) thick high impact styrene plastic with U.V. stabilizers to prevent fading and corrosion.  
**Finish:** White.  
**Door:** Flush to frame - rounded safety corners. Two pull tabs on the back of the door allow door to be pulled back into the frame from behind walls and ceilings.  
**Frame:** One piece outside flange that is 1 1/2" (38) wide with a 5/8" deep mounting flange.  
**Latch:** Snap latches allow door to fit tightly into frame.  
**Packaging:** 8" x 8" (203 x 203) and 14" x 14" (356 x 356) doors are packed 15 per carton and the 14" x 29" (356 x 736) doors are packed 5 per carton.

MODEL #	PA SERIES	WALL OPENING	SHIPPING WEIGHT (Lbs.) (UNIT)	SHIPPING WEIGHT (Lbs.) (CARTON)
PA0808	8" x 8"	7-7/8" x 7-7/8"	0.75	14.00
PA1414	14" x 14"	13-7/8" x 13-7/8"	1.75	30.00
PA1429	14" x 29"	13-7/8" x 28-7/8"	2.90	17.00

**A-B** Door Size  
**C-D** Overall Dimensions - Door Size - Plus 3" (76)  
**E-F** Wall Opening - Door Size - Minus 1/8" (3)



(Dimension) Denotes Millimetres

**Note:** The hinge is always furnished on the "A" or height (longer) dimension, unless otherwise specified.

Job Name: _____	Page No: _____
Section No: _____	Contract: _____
Schedule No: _____	Purchase Order No: _____