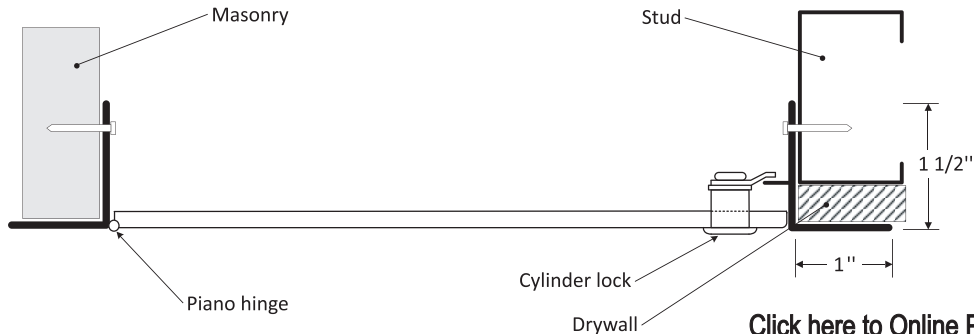


MEDIUM SECURITY ACCESS DOOR

FOR ALL SURFACE TYPES

MDS

INSTALLATION



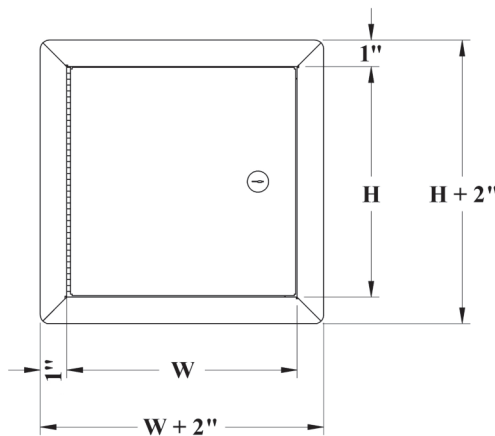
[Click here to Online Product Page and Pricing](#)

DIMENSIONS AND APPEARANCE

LEED ready: This product contributes to LEED® credits.

DOOR SIZE - W x H INCHES (MM)	NUMBER OF LOCKS	WEIGHT LBS KG	
12 x 12 (304 x 304)	1	6	2.7
16 x 16 (406 x 406)	1	7	3.2
18 x 18 (457 x 457)	1	11	5
24 x 24 (609 x 609)	1	19	8.6
24 x 30 (609 x 762)	2	24	10.9
24 x 36 (609 x 914)	2	27	12.2
36 x 36 (914 x 914)	2	41	18.6
Rough wall opening is door size + 1/4" or + 6mm			

**Your odd sizes:
Made in 5 days**



DESCRIPTION AND MATERIAL SPECIFICATION

Material: 14 gauge galvalneal steel

Hinge: continuous piano type

Lock / latch: key operated cylinder cam latch

Finish: high quality white powder coat primer

Packaging: individually wrapped, 1 per box

POPULAR OPTIONS For complete list of options go to: www.AccessDoorsAndPanels.com

Material: stainless steel 304 #4 (brushed finish)

Lock / latch: mortise preparation for cylinder (cylinder optional), pinned hex head cam latch, 4" key handle operated cam latch, mortise deadbolt lock



PROJECT DATA

PROJECT NAME:	QTY	W	H	OPTIONS
ARCHITECT:				
DEALER:				
CONTRACTOR:				
LOCATION:	SPECIAL INSTRUCTIONS:			
DATE:				
TAGGING INSTRUCTIONS:	SUBMITTAL APPROVAL: (signature or stamp)			

Email: info@accessdoorsandpanels.com
Website: www.accessdoorsandpanels.com

Phone: 1-800-609-2917
Fax: 1-888-626-2907

Address:
 P.O Box 66738 #76520 Saint Louis