

# SUBMITTAL/TECHNICAL DATA SHEET



## SPECIFICATIONS

**MATERIAL:** 14 gauge galvanized steel cover and Curb

**FINISH:** Galvanized Steel: White Powder Coat

**COVER:** 14 gauge galvanized steel exterior with 22 gauge galvanized steel liner bonded to core of 1" rigid styrofoam insulation.

**COVER:** 14 gauge galvanized steel exterior with 22 gauge galvanized steel liner bonded to core of 1" rigid styrofoam insulation.

**CURB:** 14 gauge galvanized steel with a 12" high curb, integral counterflashing, 3-1/2" wide mounting flanges with pre-drilled holes and 1" exterior fiberboard insulation

**GASKET:** Extruded EPDM rubber gasket adhered to cover

**HINGES:** Integrated Pintle Hinge

**LIFT ASSIST:** Cover operation is assisted by Gas Spring

**LATCHES:** Slam latch with interior and exterior handles and padlock hasps.

**HARDWARE:** All hardware is zinc plated (stainless steel hardware optional)

**LOAD CAPACITY:** 70 psf

**CERTIFICATIONS:** Florida Product Approval: FL 16737-R2



SKU: **M-1**

## ROOF ACCESS HATCH

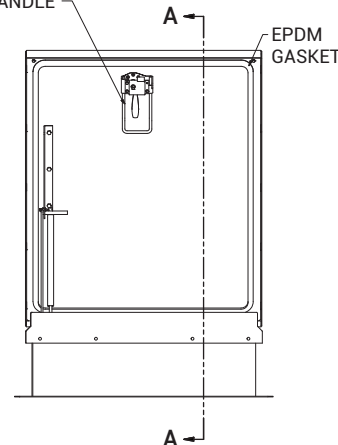
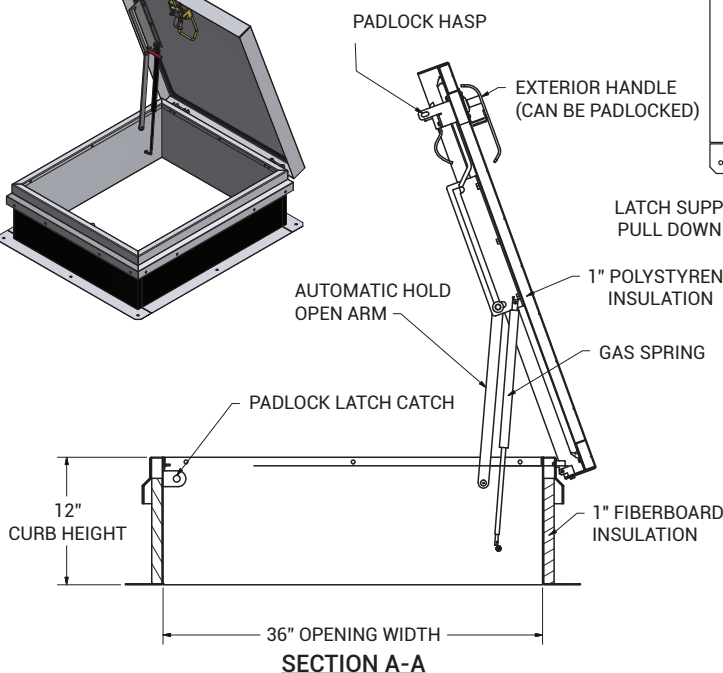
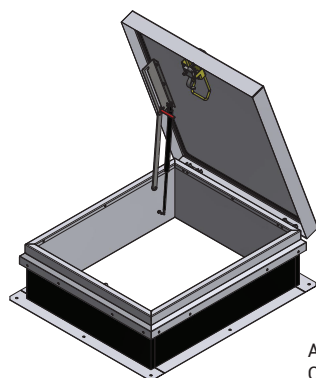
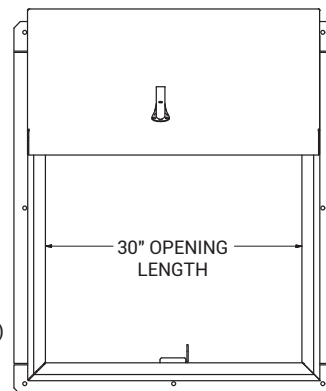


## DIMENSIONS AND APPEARANCE

>> CLICK TO VIEW ADDITIONAL DETAILS AND PRICING <<

### STANDARD SIZES AND PRODUCT NUMBER:

MODEL	DOOR SIZE	MATERIALS	SHIPPING WEIGHT LBS.
M-1 3501-501-9	36" x 30"	GALVANIZED STEEL COVER (14GA. & CURB (14 GA.))	185



For a complete list of options visit [www.AccessDoorsAndPanels.com](http://www.AccessDoorsAndPanels.com)

## PROJECT DATA

Custom Sizes Available - Fast!

PROJECT NAME :	QTY	W	H	OPTIONS
ARCHITECT :				
DEALER :				
CONTRACTOR :				
LOCATION :	SPECIAL INSTRUCTIONS :			
DATE :	SUBMITTAL APPROVAL : (signature or stamp)			
TAGGING INSTRUCTIONS :				

Scan or Click



To view Pricing and Additional Product Info.

TELEPHONE:  
1-888-457-1275  
FAX:  
1-888-626-2907

PO BOX 66738 #76520,  
SAINT LOUIS, MO  
63166-6738  
USA



WEBSITE:  
[www.AccessDoorsAndPanels.com](http://www.AccessDoorsAndPanels.com)  
E-MAIL:  
[info@accessdoorsandpanels.com](mailto:info@accessdoorsandpanels.com)