

SUBMITTAL/TECHNICAL DATA SHEET



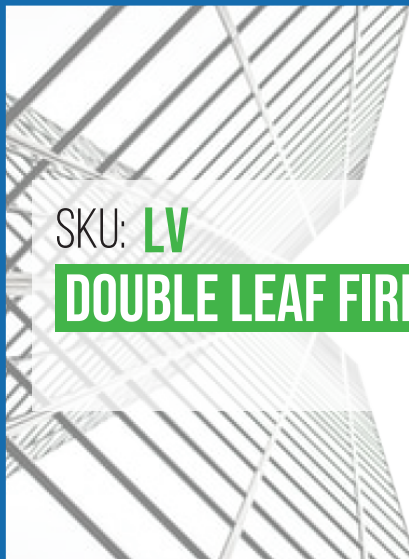
SPECIFICATIONS

01. Frame with capflashing (Corners full welded)
LV B - 11 gauge aluminum
02. Pintle hinge
03. Gasket (All around frame)
04. Extruded aluminum cover frame
05. Fixed center drain
06. Gas springs wih integral damper
07. 1" Rigid fiberboard insulation
08. Translucent structured polycarbonate glazing
09. 165° Fusible link (Extra link provided)
10. Thermolatch II® positive hold/release mechanism
11. Arm guide bracket
12. Hold open arm with red vinyl grip
13. Pull grip to open from inside 1/8" dia. steel cable
14. Pull grip to open from outside 1/8" dia. steel cable
15. Cover latch bracket
16. Bilclip® flashing system
17. Guide arm

SHOP FINISH:
ALUMINUM: Mill finish
HARDWARE: Zinc plated & chomate sealed
(Unless otherwise specified)

This product may be installed on either a flat or sloping roof. When installed on a slope, the hinge side must run parallel with the slope. If slope exceed 30°, advise factory for modification.

For a complete list of options visit
www.AccessDoorsAndPanels.com



SKU: **LV**

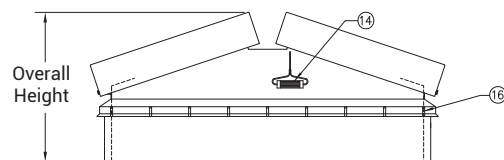
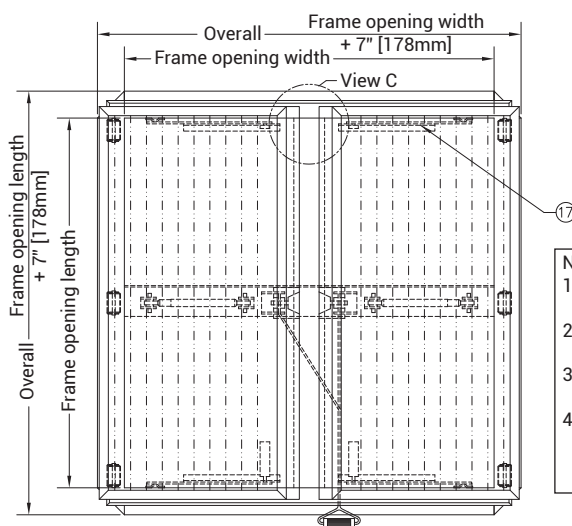
DOUBLE LEAF FIRE VENT

TYPE LV



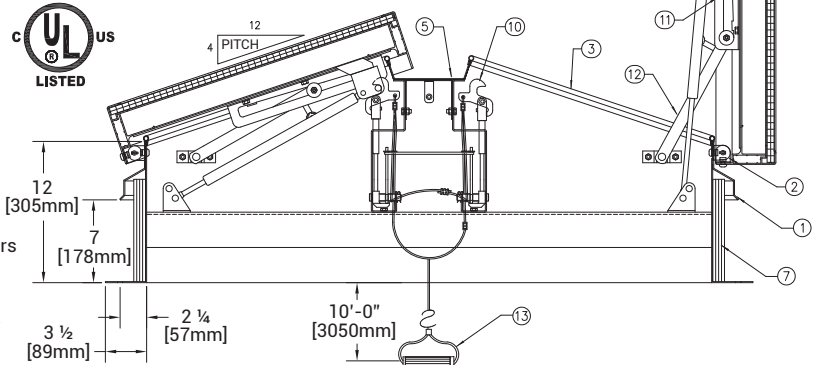
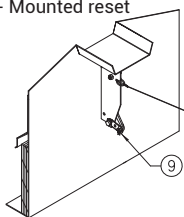
DIMENSIONS AND APPEARANCE

>> CLICK TO VIEW ADDITIONAL DETAILS AND PRICING <<



NOTE:
1. Covers shall open against 10 psf (49 kg/m²) snow/wind load
2. Vent assembly rated for 40 psf (195 kg/m²) live load
3. Covers will remain closed under 90 psf (438 kg/m²) wind uplift force
4. Sloped cover design meets International building code Requirements (2018 IBC 2610.3)

Thermolatch® II
Curb - Mounted reset



1. Thermolatch mechanism - Covers will operate only when activated
 - A. Manually
 - B. By heat at 165° fusible link

VIEW C

QTY	TYPE	SIZE WIDTH X HEIGHT	OVER ALL HEIGHT
	LV4848B	4'-0" x 4'-0" [1220mm] X [1220mm]	23" [585mm]
	LV4896B	4'-0" x 8'-0" [1220mm] X [2440mm]	23" [585mm]
	LV6096B	5'-0" x 8'-0" [1525mm] X [2440mm]	25" [635mm]

PROJECT DATA

Custom Sizes Available - Fast!

PROJECT NAME :	QTY	W	H	OPTIONS
ARCHITECT :				
DEALER :				
CONTRACTOR :				
LOCATION :	SPECIAL INSTRUCTIONS :			
DATE :				
TAGGING INSTRUCTIONS :	SUBMITTAL APPROVAL : (signature or stamp)			

Scan or Click



To view Pricing and
Additional Product Info.

TELEPHONE:
1-888-457-1275
FAX:
1-888-626-2907



PO BOX 66738 #76520,
SAINT LOUIS, MO
63166-6738
USA



WEBSITE:
www.AccessDoorsAndPanels.com
E-MAIL:
info@AccessDoorsAndPanels.com