



SKU: **L50**

SINGLE LEAF ROOF SCUTTLE

TYPE L



SPECIFICATIONS

01. Frame w/ flashing (corners full welded)
 - L-20 - 14 gauge P.B. Galv. Steel
 - L-40 - 14 gauge P.B. Galv. Steel
 - L-50 - 11 gauge aluminum
02. Pintle hinge
03. Gasket (all around cover)
04. Cover gauge
 - L-20 - 14 gauge P.B. Galv. Steel
 - L-40 - 11 gauge aluminum
 - L-50 - 11 gauge aluminum
05. Cover liner
 - L-20 - 22 gauge P.B. Galv. Steel
 - L-40 - 18 gauge aluminum
 - L-50 - 18 gauge aluminum
06. Spring lifting mechanism
07. 1° rigid fiberboard insulation
08. Slam latch (2 Point)
09. Inside and outside handles w/ padlock hasps
10. Arm guide bracket
11. 1" thick fiberglass cover insulation
12. Hold open arm w/ red vinyl grip
13. Neoprene gasket
14. Lock strike
15. Bilclip® flashing system
16. Guide arm (if req'd)

SHOP FINISH:

STEEL: Red oxide primer

ALUMINUM: Mill finish

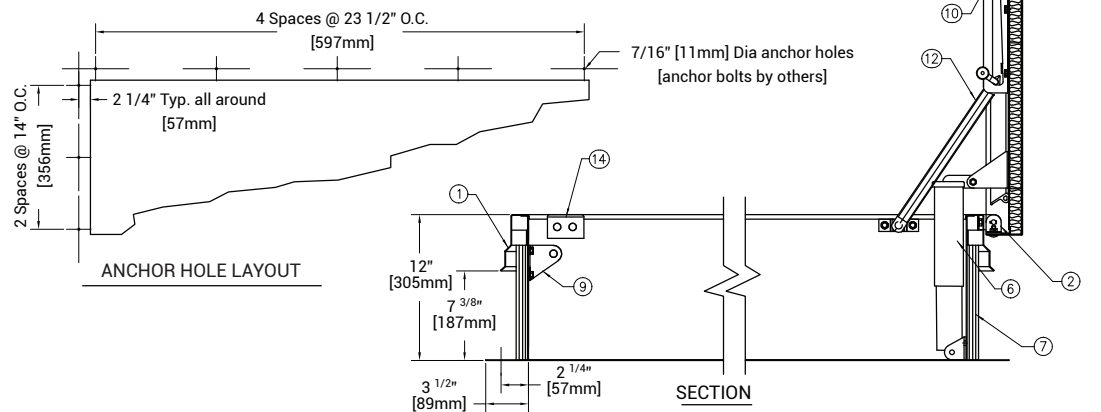
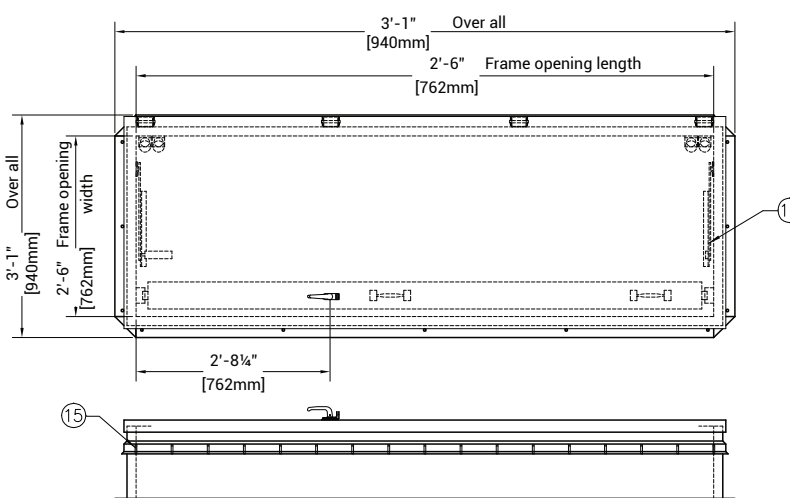
HARDWARE: Non-corrosive materials
(Unless otherwise specified)

This product may be installed on either a flat or sloping roof. When installed on a slope, the hinge side must run parallel with the slope. If slope exceeds 30°, advise factory for modification

For a complete list of options visit
www.AccessDoorsAndPanels.com

DIMENSIONS AND APPEARANCE

>> CLICK TO VIEW ADDITIONAL DETAILS AND PRICING <<



QTY	TYPE	SIZE (INCHES) WIDTH X LENGTH	METAL
<input type="checkbox"/>	L-20	2'-6" X 8'-0"	STEEL COVER OR STEEL FRAME
<input type="checkbox"/>	L-40	2'-6" X 8'-0"	ALUM. COVER OR STEEL FRAME
<input type="checkbox"/>	L-50	2'-6" X 8'-0"	ALUM. COVER OR ALUM. FRAME

PROJECT DATA

Custom Sizes Available - Fast!

Scan or Click



To view Pricing and Additional Product Info.

PROJECT NAME :	QTY	W	H	OPTIONS
ARCHITECT :				
DEALER :				
CONTRACTOR :				
LOCATION :	SPECIAL INSTRUCTIONS :			
DATE :				
TAGGING INSTRUCTIONS :	SUBMITTAL APPROVAL : (signature or stamp)			

TELEPHONE:
1-888-457-1275
FAX:
1-888-626-2907



PO BOX 66738 #76520,
SAINT LOUIS, MO
63166-6738
USA



WEBSITE:
www.AccessDoorsAndPanels.com
E-MAIL:
info@AccessDoorsAndPanels.com