

# SUBMITTAL/TECHNICAL DATA SHEET



## SPECIFICATIONS

01. Frame with flashing (Corners full welded)
  - 20VM - 14 gauge P.B. Galv. Steel
  - 50VM - 11 gauge aluminum
02. Pintle hinge
03. Gasket (all around cover)
04. Cover gauge
  - 20VM - 14 gauge P.B. Galv. Steel
  - 50VM - 11 gauge aluminum
05. Cover liner
  - 20VM - 22 gauge P.B. Galv. Steel
  - 50VM - 18 gauge aluminum
06. Spring lifting mechanism
07. 1° rigid fiberglass insulation
08. Slam latch
09. Inside and outside handles with padlock hasps
10. Arm guide bracket
11. 1" thick fiberglass cover insulation
12. Hold open arm w/red vinyl grip
13. Neoprene gasket
14. Lock strike & padlock hasp
15. Anchor tabs (QTY & location varies with size)
16. Guide arm (if req'd)

### SHOP FINISH:

- STEEL: Red oxide primer
- ALUMINUM: Mill finish
- HARDWARE: Non-corrosive materials  
(Unless otherwise specified)

This product may be installed on either a flat or sloping roof. When installed on a slope, the hinge side must run parallel with the slope. If slope exceeds 30°, advise factory for modification

For a complete list of options visit  
[www.AccessDoorsAndPanels.com](http://www.AccessDoorsAndPanels.com)

SKU: L-50VM

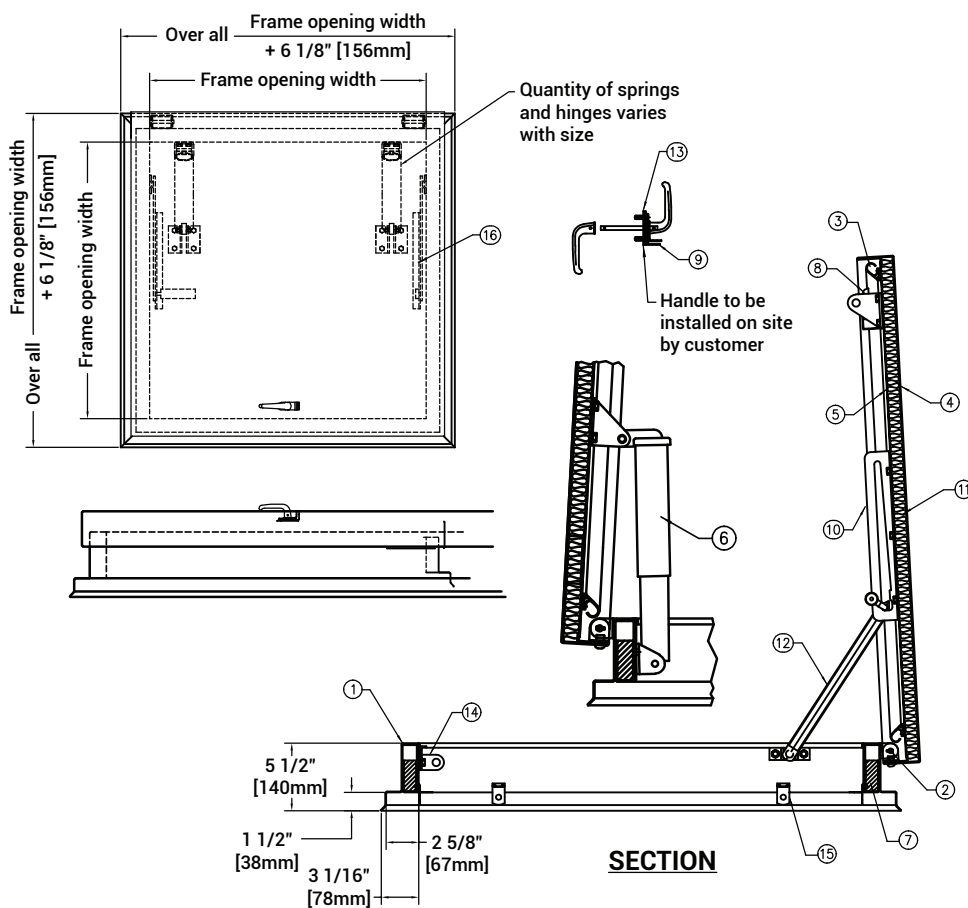
## SINGLE LEAF ROOF SCUTTLE

TYPE VM



## DIMENSIONS AND APPEARANCE

>> CLICK TO VIEW ADDITIONAL DETAILS AND PRICING <<



## PROJECT DATA

Custom Sizes Available - Fast!

PROJECT NAME :	QTY	W	H	OPTIONS
ARCHITECT :				
DEALER :				
CONTRACTOR :				
LOCATION :	SPECIAL INSTRUCTIONS :			
DATE :				
TAGGING INSTRUCTIONS :	SUBMITTAL APPROVAL : (signature or stamp)			

Scan or Click



To view Pricing and Additional Product Info.

TELEPHONE:  
1-888-457-1275

FAX:  
1-888-626-2907



PO BOX 66738 #76520,  
SAINT LOUIS, MO  
63166-6738  
USA



WEBSITE:  
[www.AccessDoorsAndPanels.com](http://www.AccessDoorsAndPanels.com)

E-MAIL:  
[info@AccessDoorsAndPanels.com](mailto:info@AccessDoorsAndPanels.com)