



CEILING ACCESS HATCHES

Model KSTE/CAD (Exposed Grid)

For Use in Square or Beveled Edge Ceiling Tile

AccessDoorsAnd Panels
 Phone: 1-800-609-2917
 Fax: 1-888-626-2907
 Address: PO Box 66738 #76520,
 Saint Louis, MO 63166-6738
 Website: www.AccessDoorsAndPanels.com

DATE



SPECIFICATIONS

GENERAL SCOPE :

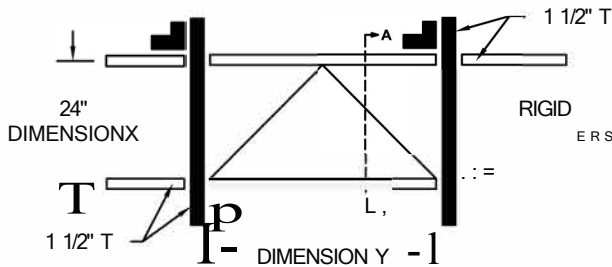
Access doors shall be Karp Type KSTE/CAD as manufactured by Karp Associates, Inc., Melville, N.Y. Sizes shall be as indicated on the drawings.

CONSTRUCTION :

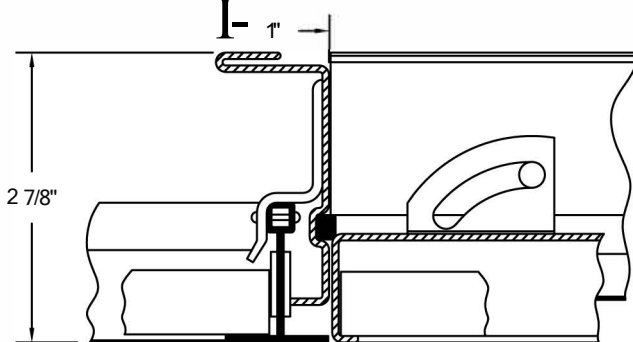
1. Frame shall be 20 gage hot dipped galvanized steel.
2. Door shall be 20 gage electro-galvanized steel with 7/32" flange stove enameled white.
3. Escutcheon caps shall be plastic molded with hinged flaps.
4. Locks shall be budget locks operated with square shanked key.

STANDARD SIZES (Special Sizes On Request)

DOOR SIZE (IN.) X y	SHIP WT. (LBS.)
24x24	19.0
24x48	35.0



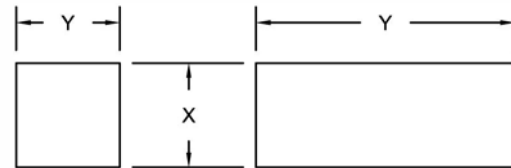
PANEL SUPPORT ILLUSTRATION



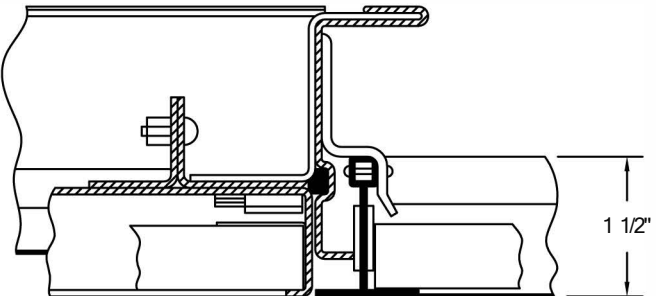
SECTION A-A
 SCALE 1/2"

PROJECT DATA					
Project Name :					
Architect:					
Contractor:					
Agent/Customer Name :					
Tagging Instructions:					
Special Instructions:					
Click here to Online Product Page and Pricing					

PROJECT SCHEDULE					
Qty.	H	W	No. of Latches	Finish	Remarks



OPENING SYSTEMS



Made with Union Labor