



# CEILING ACCESS HATCHES

## Model KSTC/CAD (Concealed Grid)

For Use in Square or Beveled Edge Ceiling Tile



**KARP ASSOCIATES, INC.**  
 260 Spagnoli Road Melville, NY 11747  
 (631) 768-8300 - Phone  
 (631) 768-8350 - Fax

DATE

**SPECIFICATIONS**

**GENERAL SCOPE:**

Access doors shall be Karp Type KSTC/CAD as manufactured by Karp Associates, Inc., Melville, N.Y. Sizes shall be as indicated on the drawings.

**CONSTRUCTION:**

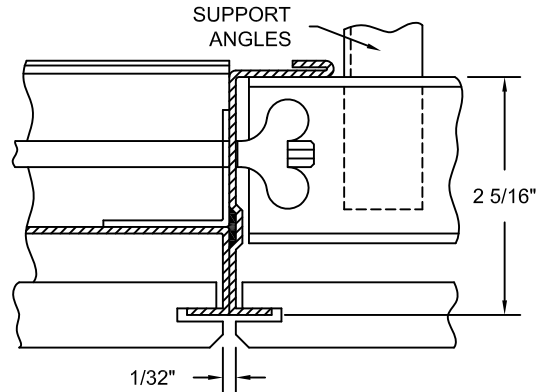
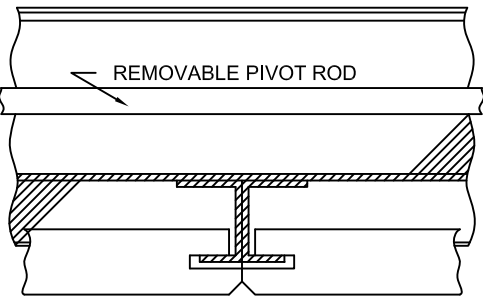
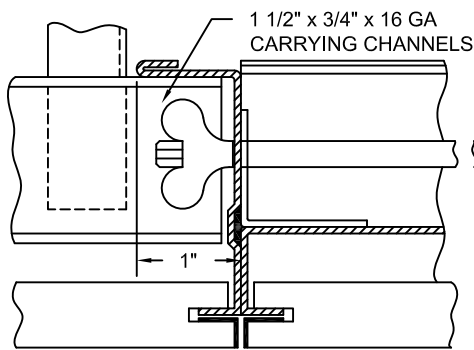
1. Frame shall be 20 gage hot dipped galvanized steel with a rib containing a flame retardant polyurethane gasket.
2. Door shall be 20 gage electro-galvanized mild steel.
3. Escutcheon caps shall be plastic molded with hinged flaps.
4. Locks shall be budget locks operated with square shanked key.

**STANDARD SIZES (Special Sizes On Request)**

DOOR SIZE (IN.) X Y	SHIP WT. (LBS.)
24 x 24	19.0
24 x 48	35.0

PROJECT DATA					
Project Name:					
Architect:					
Contractor:					
Agent/Customer Name:					
Tagging Instructions:					
Special Instructions:					

PROJECT SCHEDULE					
Qty.	H	W	No. of Latches	Finish	Remarks



SECTION A-A



**Made with Union Labor**