

**KARP ASSOCIATES, INC.**  
260 Spagnoli Road Melville, NY 11747  
(631) 768-8300 - Phone  
(631) 768-8350 - Fax

DATE

### SPECIFICATIONS

#### GENERAL SCOPE:

Access doors shall be Karp Type KDW as manufactured by Karp Associates, Inc., Melville, N.Y.  
Sizes shall be as indicated on the drawings.

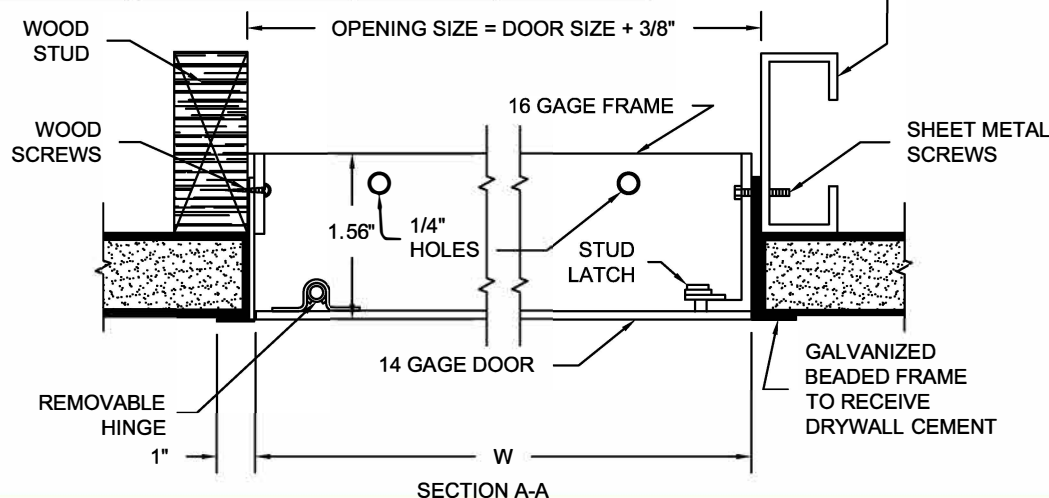
#### CONSTRUCTION:

1. Frame shall be 16 gage steel and door shall 14 gage steel.
2. Trim shall be galvanized steel drywall bead.
3. Hinge shall be pin type hinge, spring loaded making door removable.
4. Latches shall be flush and screwdriver operated, or shall be key operated cylinder lock with automatic dust shutter.
5. Finish shall be prime coat of rust inhibitive electrostatic powder, baked white enamel.

\* When hinge side is greater than 48", door shall have a continuous piano hinge for rigidity.

#### STANDARD SIZES

DOOR SIZE H X W (IN.)	WALL/CEILING OPENING (IN.)	NUMBER OF STUD LATCHES	SHIP WT. (LBS.)
6 x 6	6 3/8 x 6 3/8	1	1.8
8 x 8	8 3/8 x 8 3/8	1	2.4
10 x 10	10 3/8 x 10 3/8	1	3.3
12 x 12	12 3/8 x 12 3/8	1	5.8
14 x 14	14 3/8 x 14 3/8	2	6.5
16 x 16	16 3/8 x 16 3/8	2	8.8
18 x 18	18 3/8 x 18 3/8	2	11.1
22 x 22	22 3/8 x 22 3/8	4	15.3
24 x 24	24 3/8 x 24 3/8	5	17.2
36 x 24	36 3/8 x 24 3/8	5	25.9



### PROJECT DATA

Project Name:

Architect:

Contractor:

Agent/Customer Name:

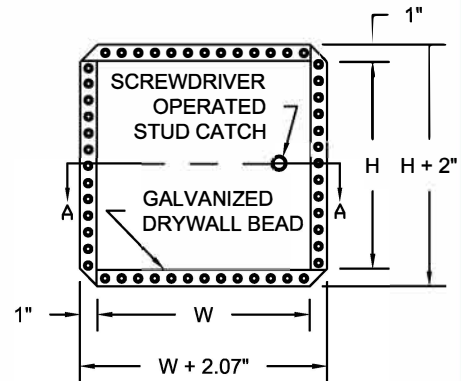
Tagging Instructions:

Special Instructions:

### PROJECT SCHEDULE

Qty.	H	W	No. of Latches	Finish	Remarks

\* The wall opening size for doors larger than 48 x 36 shall be 1/2" larger than the door size.



AccessDoorsandPanels.com  
PO Box 66738 #76520 | Saint Louis, MO 63166-6738 USA  
Toll Free: 1-800-609-2917 | e-mail: info@accessdoorsandpanels.com



Made with Union Labor