



JL INDUSTRIES

SUBMITTAL/TECHNICAL DATA SHEET

DESCRIPTIONS

The Embassy Series is a Decorative, Trimless, Recessed Cabinet Suitable for the Most Upscale Application in our Finest Finishes of Brass, Bronze, Stainless Steel, Aluminum or Painted Steel. All Models Comply with ADA Projection Requirements.

SPECIFICATIONS

DOOR AND TRIM CONSTRUCTION:
The 7/8" thick formed cabinet doors are available in #4 satin stainless steel, US10 satin bronze, US3 polished brass, #180 clear anodized aluminum or powder-coated white steel. Doors feature two concealed hinges at top & bottom of door, and roller catch. "V" and "S21" doors can be opened from the bottom of the cabinet using the concealed ABS cup handle in the door. "W" or "L22" door styles have a zinc-plated pull (painted to match brass, color anodized, US10B or bronze finishes) installed approximately 3/4" above lock which is centered top to bottom on the door (no concealed pull). L24 doors have no pull, and are opened by key only.

TUB: The tub is constructed of cold rolled steel with white powder-coat finish standard. Tub forms a 1" flange to cover cut edges of wallboard material. 5900 has shelf 12" from bottom.

KNOCKOUTS: Models designed for use with Fire Department Valves & Hose Racks - 5500: 2 KO's centered on tub, one on each side, or 9" from top, 4" from back. 5800: 2 KO's on left side only, 4" from top and 4" from bottom, 4" from back. 5900: 2 KO's, on each side, 6" from bottom, 4-1/4" from back. 5900 available without shelf to allow for lower mounting height of piping to meet NFPA10 and ADA.

For a complete list of options visit www.AccessDoorsAndPanels.com



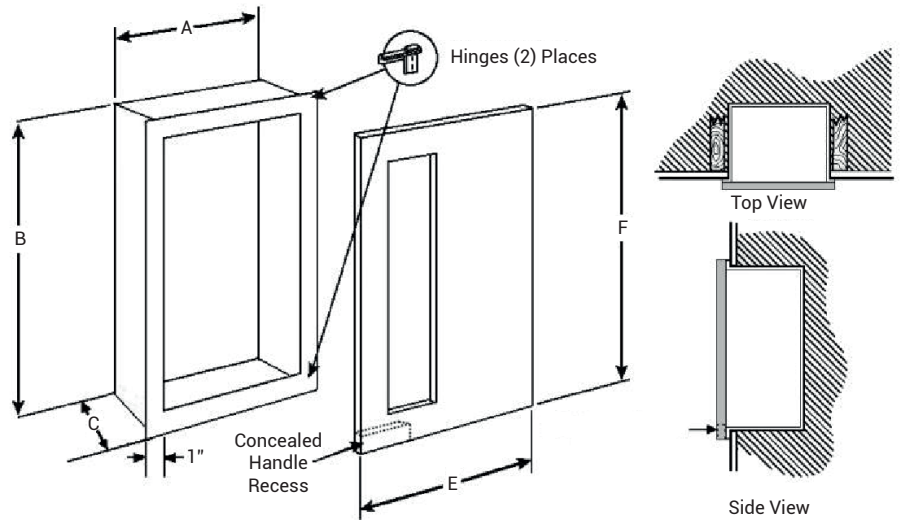
SKU: **JLEM**

CLEAR VU™ ACRYLIC BUBBLE FIRE EXTINGUISHER CABINETS

5614W10

DIMENSIONS AND APPEARANCE

>> CLICK TO VIEW ADDITIONAL DETAILS AND PRICING <<



For detailed specifications see submittal sheet



5654V10



5634S21



5744S21

PROJECT DATA

Custom Sizes Available - Fast!

PROJECT NAME :	QTY	W	H	OPTIONS
ARCHITECT :				
DEALER :				
CONTRACTOR :				
LOCATION :	SPECIAL INSTRUCTIONS :			
DATE :	SUBMITTAL APPROVAL :			
TAGGING INSTRUCTIONS :	(signature or stamp)			

Scan or



To view Pricing and Additional Product Info.



TELEPHONE:
1-888-457-1275
FAX:
1-888-626-2907



PO BOX 66738 #76520,
SAINT LOUIS, MO
63166-6738
USA



WEBSITE:
www.AccessDoorsAndPanels.com
E-MAIL:
info@AccessDoorsAndPanels.com



SUBMITTAL

TELEPHONE:
1-888-457-1275
FAX:
1-888-626-2907

PO BOX 66738 #76520,
SAINT LOUIS, MO
63166-6738
USA

WEBSITE:
www.AccessDoorsAndPanels.com
E-MAIL:
info@AccessDoorsAndPanels.com

JLEM

CLEAR VU™ ACRYLIC BUBBLE FIRE EXTINGUISHER CABINETS

DOOR MATERIAL AND SERIES					TUB I.D. in INCHES			DOOR O.D.		WALL OPENING			RECOMMENDED HOSE, RACK & EXTINGUISHER
STEEL	ALUM.	STAIN. STEEL	US 10 BRONZE	US 3 BRASS	A	B	C	E	F	W	H	D	
5614	5624	5634	5644	5654	10½	24"	5 ¾	12 ¾	26 ¼	11½	25	5 ⅞	Cosmic & Galaxy 2.5-10 Sentinel 5, Mercury 2.5-5
5574	5724	5734	5744	5754	16	32	7 ¾	18 ¼	34 ¼	17	33	7 ⅞	Any **Cosmic, **Galaxy, Mercury, Saturn, Nebula or Grenadier P, Sentinel 5-15,
5514	5524	5534	5544	5554	18	18"	7 ¾	20 ¼	20 ¼	19	19	7 ⅞	1-1/2" or 2-1/2" Fire Department Valve. *Left & Right K.O.'s Centered One on each Side or 9" from top, 4" from Bottom & Back.
5814	5824	5834	--	--	32	32	7 ¾	34 ¼	34 ¼	33	33	7 ⅞	1-1/2" or 2-1/2" Rack Unit & 2-1/2" Fire Dept Valve or Extinguisher. *2 Left Side K.O.'s 4" from back, top & bottom.
5914	5924	5934	5944	5954	16	40	8 ¾	18 ¼	42 ¼	17	41	8 ⅞	2-1/2" Fire Dept. Valve & Fire Extinguisher. Any Cosmic, Galaxy, Mercury, Saturn or Grenadier P, Sentinel 5-10, Nebula 270. *Left & Right K.O.'s 6" from Bottom & 4-1/4" from Back. Shelf Located 12" From Bottom

**Cosmic & Galaxy 20 must be mounted on the back of the cabinet tub. * Knockouts Not Available on Stainless Tubs.

OPTIONS (Ask Us About Options):

DOOR STYLE	DOOR GLAZING	LETTERING OPTIONS AT ADDED COST
<ul style="list-style-type: none"> Vertical Duo with Concealed Pull in Door Solid with Concealed Pull in Door Solid Door with Cam Lock & No Pull Vertical Duo with SAF-T-LOK™ & Pull Handle Solid with SAF-T-LOK & Pull Handle 	<ul style="list-style-type: none"> Clear Acrylic Gray Acrylic Clear Wire Glass with Safety Film Clear Tempered Glass Bronze Acrylic Laminated Safety Glass 	<ul style="list-style-type: none"> Black Vertical "Fire Extinguisher" Diecut Letters Red Vertical "Fire Extinguisher" Diecut Letters White Vertical "Fire Extinguisher" Diecut Letters Black Horizontal "Fire Extinguisher" Diecut Letters Red Horizontal "Fire Extinguisher" Diecut Letters White Horizontal "Fire Extinguisher" Diecut Letters Etched Lettering on Glass - Attach Separate Submittal to order

OPTIONAL FEATURES AT ADDED COST

- Door Finish Options -(Specialty Finishes Have Pulls to match)
- Dark Bronze Anodized Aluminum Door
 - Optional Color, Painted Steel Door.
 - #6, #7, #8 Stainless Steel Door
 - US9 Polished Bronze Door - Clear-coated
 - US4 Satin Brass Door - Clear-coated
 - Stainless Steel Tub #4 finish

OTHER OPTIONS AT ADDED COST

- Optional Color Tub
 - Red
 - Black
 - Other
- Futura "Fire" Handle
 - Red
 - Mill
 - White
- Flush Pull in Center of Door
- Commander Alarm
- Brigadier Alarm
- Engraved Door Lettering (except Bronze or Brass)