



JL INDUSTRIES

SUBMITTAL/TECHNICAL DATA SHEET

DESCRIPTIONS

The Ambassador Series is a Durable, Attractive Steel Cabinet with Powder-coat Finish that Stands up to Conditions in Commercial Buildings.

SPECIFICATIONS

DOOR AND TRIM CONSTRUCTION: Cold-rolled steel with white powder-coated finish standard. Flush cabinet doors with a 5/8" door stop are attached by a continuous hinge and equipped with zinc-plated handle and roller catch. All models have 1-3/4" wide trim on frame and 1-1/4" trim on doors with glazing.

TRIM STYLE AND DEPTH: Recessed Flat 3/8" Trim, Semi Recessed - 1-1/4", 1-1/2" Square Edge or 2-1/2", 3", 4", 4-1/2" Rolled edge (4" has flush pull). Surface-mount models have a square edge. See separate submittal for rolled edge surface mount or Trimless Recessed.

TUB: The tub is constructed of CRS with white powder-coat finish standard.

FIRE-RATING: Available



SKU: **JLAM-3RL**

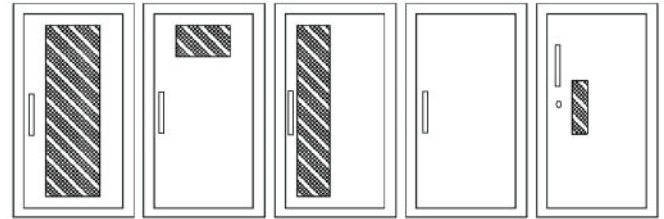
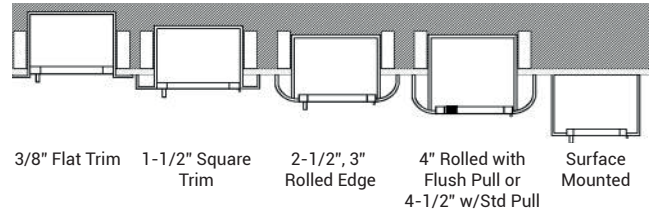
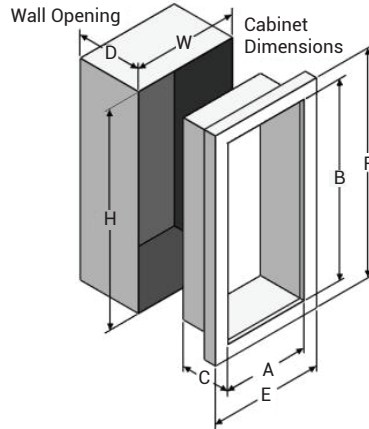
AMBASSADOR™ STEEL FIRE EXTINGUISHER CABINETS



1816F10

DIMENSIONS AND APPEARANCE

>> CLICK TO VIEW ADDITIONAL DETAILS AND PRICING <<



F - Full glass with pull handle	D - Horizontal duo panel with pull handle	V - Vertical duo panel with pull handle	S21 - Solid with pull handle	B - Small view window with pull handle, above Saf-TLok
G - Full glass with pull handle above Saf-T-Lok (Not Shown)	E - Horizontal duo panel with pull handle above Saf-T Lok. (Not Shown)	W - Vertical duo panel with pull handle above Saf-T Lok. (Not Shown)	L22 - Solid with pull handle above Saf-T-Lok	above Saf-TLok
			L24 - Solid with cylinder key lock and no handle (Not Shown)	

ADA Cabinet Mounting Height: Standard Pull on G, E, W, L22 and B Door Styles with Saf-T-Lok are 3 5/8" Higher than Door Center, so Allow for that When Mounting Cabinet.
Standard Pull with No Lock or Flush Pull are Centered on Door



1012W10A

1017V10

For detailed specifications see submittal sheet

For a complete list of options visit www.AccessDoorsAndPanels.com

PROJECT DATA

Custom Sizes Available - Fast!

Scan or Click



To view Pricing and Additional Product Info.

PROJECT NAME :	QTY	W	H	OPTIONS
ARCHITECT :				
DEALER :				
CONTRACTOR :				
LOCATION :	SPECIAL INSTRUCTIONS :			
DATE :				
TAGGING INSTRUCTIONS :	SUBMITTAL APPROVAL : (signature or stamp)			

TELEPHONE:
1-888-457-1275
FAX:
1-888-626-2907



PO BOX 66738 #76520,
SAINT LOUIS, MO
63166-6738
USA



WEBSITE:
www.AccessDoorsAndPanels.com
E-MAIL:
info@AccessDoorsAndPanels.com



SUBMITTAL



TELEPHONE:
1-888-457-1275
FAX:
1-888-626-2907



PO BOX 66738 #76520,
SAINT LOUIS, MO
63166-6738
USA



WEBSITE:
www.AccessDoorsAndPanels.com
E-MAIL:
info@AccessDoorsAndPanels.com

JLAM-3RL

AMBASSADOR™ STEEL FIRE EXTINGUISHER CABINETS

TRIM & DOOR SERIES #		TUB I.D.			FRAME O.D.		WALL OPENING			FIRE EXTINGUISHERS
MODEL	TRIM STYLE	A	B	C	E	F	W	H	D	
8115	Flat 3/8" Trim *	9	18	5 1/2	12 3/8	21 3/8	10	19	5 3/8	Cosmic & Galaxy 2 1/2-6 (6 lb must be mounted on tub wall), Mercury 2 1/2- 5
8116	1 1/2 Square *	9	18	5 1/2	12 3/8	21 3/8	10	19	4 1/8	
8117	2 1/2 Rolled *	9	18	5 1/2	12 3/8	21 3/8	10	19	3 1/8	
8113	Surf. Mtd Square	12 3/16	21 3/16	6	12 3/8	21 3/8	-	-	-	Cosmic/Gal/Merc 2-5
1710	2-1/4 Square *	10 1/2	24	5	13 3/8	27 3/8	11 1/2	25	3	
1815	Flat 3/8" Trim *	10 1/2	24	5 1/2	13 3/8	27 3/8	11 1/2	25	5 3/8	Cosmic & Galaxy 2 1/2-6 (6 lb must be mounted on tub wall), Mercury 2 1/2-5
1816	1 1/2 Square *	10 1/2	24	5 1/2	13 3/8	27 3/8	11 1/2	25	4 1/8	
1817	3 Rolled *	10 1/2	24	5 1/2	13 3/8	27 3/8	11 1/2	25	2 5/8	
1812	4 Rolled/Flush Pull *	10 1/2	24	5 1/2	13 3/8	27 3/8	11 1/2	25	1 7/8	
1818	4 1/2 Rolled	10 1/2	24	5 1/2	13 3/8	27 3/8	11 1/2	25	1 1/8	
1015	Flat 3/8" Trim *	10 1/2	24	6	13 3/8	27 3/8	11 1/2	25	5 7/8	
1016	1 1/2 Square *	10 1/2	24	6	13 3/8	27 3/8	11 1/2	25	4 5/8	Cosmic & Galaxy 2 1/2-10 Mercury 2 1/2-5, Sentinel 5
1017	3 Rolled *	10 1/2	24	6	13 3/8	27 3/8	11 1/2	25	3 1/8	
1012	4 Rolled/Flush Pull *	10 1/2	24	6	13 3/8	27 3/8	11 1/2	25	2 3/8	
1018	4 1/2 Rolled	10 1/2	24	6	13 3/8	27 3/8	11 1/2	25	1 5/8	
1013	Surf Mtd. Square	13 1/16	27 3/16	6 1/2	13 3/8	27 3/8	-	-	-	
2015	Flat 3/8" Trim *	12	27	7 3/4	15 3/8	30 3/8	13	28	7 5/8	Any Cosmic, Galaxy (20 lb must be mounted on cabinet tub), Mercury, Saturn or Grenadier P, Sentinel 5 & 10
2016	1 1/4 Square *	12	27	7 3/4	15 3/8	30 3/8	13	28	6 5/8	
2017	2 1/2 Rolled *	12	27	7 3/4	15 3/8	30 3/8	13	28	5 3/8	
2012	4 Rolled/Flush Pull *	12	27	7 3/4	15 3/8	30 3/8	13	28	4 1/8	
2018	4 1/2 Rolled	12	27	7 3/4	15 3/8	30 3/8	13	28	3 3/8	
2013	Surf Mtd. Square	15 3/16	30 3/16	8 1/4	15 3/8	30 3/8	-	-	-	
3015	Flat 3/8" Trim *	16	32	7 3/4	19 3/8	35 3/8	17	33	7 5/8	Any Cosmic, Galaxy (20 lb must be mounted on cabinet tub), Mercury, Saturn or Grenadier P, Sentinel 5-15, 272
3016	1 1/4 Square *	16	32	7 3/4	19 3/8	35 3/8	17	33	6 5/8	
3017	2 1/2 Rolled *	16	32	7 3/4	19 3/8	35 3/8	17	33	5 3/8	
3012	4 Rolled/Flush Pull *	16	32	7 3/4	19 3/8	35 3/8	17	33	4 1/8	
3018	4 1/2 Rolled	16	32	7 3/4	19 3/8	35 3/8	17	33	3 3/8	
3013	Surf Mtd. Square	19 3/16	35 3/16	8 1/4	19 3/8	35 3/8	-	-	-	
4015	Flat 3/8" Trim *	20	27	7 3/4	23 3/8	30 3/8	21	28	7 5/8	Two each any Cosmic, Galaxy (20 lb must be mounted on cabinet tub), Mercury, Saturn or Grenadier P, Sentinel 5
4016	1 1/4 Square *	20	27	7 3/4	23 3/8	30 3/8	21	28	6 5/8	
4017	2 1/2 Rolled *	20	27	7 3/4	23 3/8	30 3/8	21	28	5 3/8	
4012	4 Rolled/Flush Pull *	20	27	7 3/4	23 3/8	30 3/8	21	28	4 1/8	
4018	4 1/2 Rolled	20	27	7 3/4	23 3/8	30 3/8	21	28	3 3/8	
4013	Surf Mtd. Square	23 3/16	30 3/16	8 1/4	23 3/8	30 3/8	-	-	-	

* Cabinets that Meet 4" Maximum ADA Projection Requirement.

OPTIONS (Ask Us About Options):

DOOR STYLE WITH HANDLE

- Full Glazing in 1-1/4" wide Frame
- Solid with SAF-T-LOK™
- Full Glazing with SAF-T-LOK™ in 1-1/4" Frame
- Sold with Cylinder Lock - No Handle
- Horizontal Duo Panel
- Vertical Duo
- Horizontal Dual Panel with SAF-T-LOK™
- Vertical Duo with SAF-T-LOK™
- Solid Door
- Solid with 2" x 4" View Window & SAF-T-LOK™

DOOR GLAZING

- Clear Acrylic
- Bronze Acrylic
- Clear Tempered Glass
- Wire Glass with Safety Film
- Gray Acrylic
- Laminated Safety Glass

OPTIONAL FEATURES AT ADDED COST

- Optional Tub Color:
 - Black
 - Red
- Black Vertical FE Letters
- Black Vertical Decal
- Commander Alarm
- Futura "Fire" Pull
 - Mill Alum
 - White
- Red Vertical FE Letters
- Red Vertical Decal
- Etched/Engraved Lettering in Glass or Metal- Attach Sub.

- Brigadier Alarm
- Flush Pull Handle
- White Vertical FE Letters
- White Vertical Decal
- Strobe Alarm (Surface Mount Models)
- Polished Chrome Handle
- Black Horizontal FE Letters
- Black Horizontal Decal
- Magnetic Catch—Replaces Roller Catch
- White Horizontal FE Letters
- White Horizontal Decal

- Optional Colors:
 - Red
 - Black
 - Flat Black
 - Sand
 - AMS Beige
 - Gray
 - Bronze
 - Silver
 - SC Flat Beige
- Red Horizontal FE Letters
- Red Horizontal Decal
- Optional Lock for G, E, W, L22