



JL INDUSTRIES

SUBMITTAL/TECHNICAL DATA SHEET

DESCRIPTIONS

The Academy Series Features Aluminum Trim and Door, with 10 Door Styles & Optional Anodized Colors.

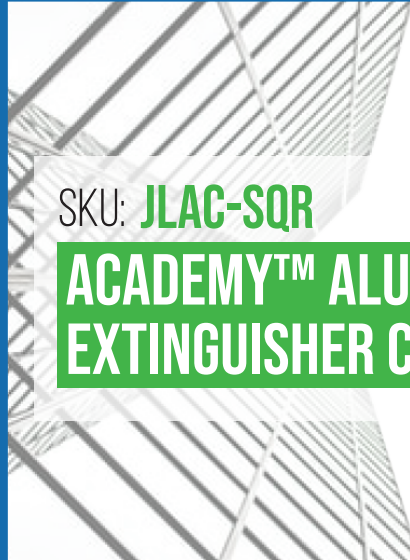
SPECIFICATIONS

DOOR AND TRIM CONSTRUCTION: No 180 clear anodized aluminum. Flush cabinet doors with a 5/8" door stop are attached by a continuous hinge and equipped with zinc-plated handle and roller catch. All models have 1-3/4" wide trim on frame and 1-1/4" trim on doors with glazing. Rolled edge models are constructed of mechanically-joined extrusions, except for models 1827 and 1027 which are die formed. Die formed corners provide an attractive, rounded edge - unique to the JL line of cabinets!

TRIM STYLE AND DEPTH: Recessed 3/8" flat trim, Semi Recessed - 1-1/4", 1-1/2" Square Edge or 2-1/2", 3", 4", 4-1/2" Rolled Edge (4" has recessed flush pull). Surface-mount models have a square edge.

TUB: The tub is constructed of cold rolled steel with white powder-coat finish standard. Surface-mounted models have aluminum tub.

FIRE-RATING: Available



SKU: **JLAC-SQR**

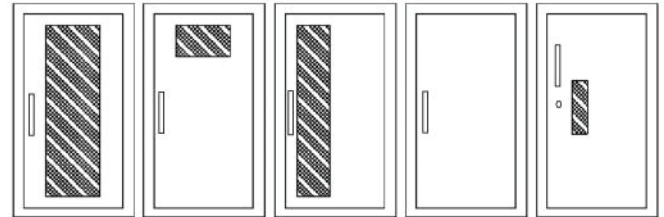
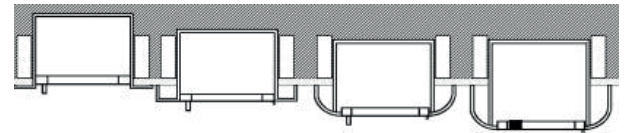
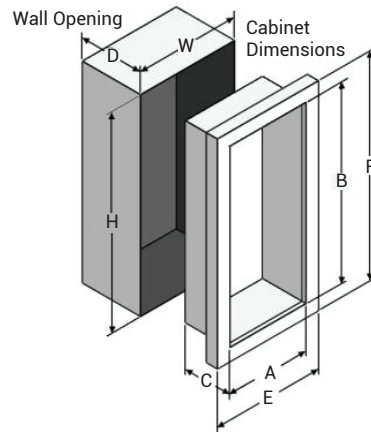
ACADEMY™ ALUMINUM FIRE EXTINGUISHER CABINETS



1827G10

DIMENSIONS AND APPEARANCE

>> CLICK TO VIEW ADDITIONAL DETAILS AND PRICING <<

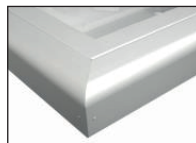


F - Full glass with pull handle	D - Horizontal duo panel with pull handle	V - Vertical duo panel with pull handle	S21 - Solid with pull handle	B - Small view window with pull handle, above Saf-T-Lok
G - Full glass with pull handle above Saf-T-Lok (Not Shown)	E - Horizontal duo panel with pull handle above Saf-T Lok. (Not Shown)	W - Vertical duo panel with pull handle above Saf-T Lok. (Not Shown)	L22 - Solid with pull handle above Saf-T-Lok	above Saf-T-Lok
			L24 - Solid with cylinder key lock and no handle (Not Shown)	



8125D10

Models 1027 & 1827 have Unique Die Formed Corners!



Extruded Rolled Edge 2-1/2", 4" and 4-1/2"

ADA Cabinet Mounting Height: Standard Pull on G, E, W, L22 and B Door Styles with Saf-T-Lok are 3 5/8" Higher than Door Center, so Allow for that When Mounting Cabinet. Standard Pull with No Lock or Flush Pull are Centered on Door

For detailed specifications see submittal sheet

For a complete list of options visit www.AccessDoorsAndPanels.com

PROJECT DATA

Custom Sizes Available - Fast!

Scan or



To view Pricing and Additional Product Info.

PROJECT NAME :	QTY	W	H	OPTIONS
ARCHITECT :				
DEALER :				
CONTRACTOR :				
LOCATION :	SPECIAL INSTRUCTIONS :			
DATE :	SUBMITTAL APPROVAL : (signature or stamp)			
TAGGING INSTRUCTIONS :				

TELEPHONE: 1-888-457-1275
FAX: 1-888-626-2907



PO BOX 66738 #76520, SAINT LOUIS, MO 63166-6738 USA



WEBSITE: www.AccessDoorsAndPanels.com
E-MAIL: info@AccessDoorsAndPanels.com



SUBMITTAL



TELEPHONE:
1-888-457-1275
FAX:
1-888-626-2907



PO BOX 66738 #76520,
SAINT LOUIS, MO
63166-6738
USA



WEBSITE:
www.AccessDoorsAndPanels.com
E-MAIL:
info@AccessDoorsAndPanels.com

JLAC-SQR

ACADEMY™ ALUMINUM FIRE EXTINGUISHER CABINETS

TRIM & DOOR SERIES #		TUB I.D.			FRAME O.D.		WALL OPENING			FIRE EXTINGUISHERS
MODEL	TRIM STYLE	A	B	C	E	F	W	H	D	
8125	Flat 3/8" Trim *	9	18	5 1/2	12 3/8	21 3/8	10	19	5 3/8	Cosmic & Galaxy 2 1/2-6 (6 lb must be mounted on tub wall), Mercury 2 1/2- 5
8126	1 1/2 Square *	9	18	5 1/2	12 3/8	21 3/8	10	19	4 1/8	
8127	2 1/2 Rolled *	9	18	5 1/2	12 3/8	21 3/8	10	19	3 1/8	
8123	Surf. Mtd Square	12 3/16	21 3/16	6	12 3/8	21 3/8	-	-	-	Cosmic/Gal/Merc 2-5
1720	2-1/4 Square *	10 1/2	24	5	13 7/8	27 3/8	11 1/2	25	3	
1825	Flat 3/8" Trim *	10 1/2	24	5 1/2	13 7/8	27 3/8	11 1/2	25	5 3/8	Cosmic & Galaxy 2 1/2-6 (6 lb must be mounted on tub wall), Mercury 2 1/2-5
1826	1 1/2 Square *	10 1/2	24	5 1/2	13 7/8	27 3/8	11 1/2	25	4 1/8	
1827	3 Rolled *	10 1/2	24	5 1/2	13 7/8	27 3/8	11 1/2	25	2 5/8	
1822	4 Rolled/Flush Pull *	10 1/2	24	5 1/2	13 7/8	27 3/8	11 1/2	25	2 1/2	
1828	4 1/2 Rolled	10 1/2	24	5 1/2	13 7/8	27 3/8	11 1/2	25	1 3/4	
1025	Flat 3/8" Trim *	10 1/2	24	6	13 7/8	27 3/8	11 1/2	25	5 7/8	
1026	1 1/2 Square *	10 1/2	24	6	13 7/8	27 3/8	11 1/2	25	4 5/8	Cosmic & Galaxy 2 1/2-10 Mercury 2 1/2-5, Sentinel 5
1027	3 Formed Rolled *	10 1/2	24	6	13 7/8	27 3/8	11 1/2	25	3 1/8	
1022	4 Rolled/Flush Pull *	10 1/2	24	6	13 7/8	27 3/8	11 1/2	25	3	
1028	4 1/2 Rolled	10 1/2	24	6	13 7/8	27 3/8	11 1/2	25	2 1/4	
1023	Surf Mtd. Square	13 1/16	27 3/16	6 1/2	13 7/8	27 3/8	-	-	-	
2025	Flat 3/8" Trim *	12	27	7 3/4	15 3/8	30 3/8	13	28	7 5/8	
2026	1 1/4 Square *	12	27	7 3/4	15 3/8	30 3/8	13	28	6 5/8	Any Cosmic, Galaxy (20 lb must be mounted on cabinet tub), Mercury, Saturn or Grenadier P, Sentinel 5 & 10
2027	2 1/2 Rolled *	12	27	7 3/4	15 3/8	30 3/8	13	28	6	
2022	4 Rolled/Flush Pull *	12	27	7 3/4	15 3/8	30 3/8	13	28	4 3/4	
2028	4 1/2 Rolled	12	27	7 3/4	15 3/8	30 3/8	13	28	4	
2023	Surf Mtd. Square	15 3/16	30 3/16	8 1/4	15 3/8	30 3/8	-	-	-	
3025	Flat 3/8" Trim *	16	32	7 3/4	19 3/8	35 3/8	17	33	7 5/8	
3026	1 1/4 Square *	16	32	7 3/4	19 3/8	35 3/8	17	33	6 5/8	Any Cosmic, Galaxy (20 lb must be mounted on cabinet tub), Mercury, Saturn or Grenadier P, Sentinel 5-15, 272
3027	2 1/2 Rolled *	16	32	7 3/4	19 3/8	35 3/8	17	33	6	
3022	4 Rolled/Flush Pull *	16	32	7 3/4	19 3/8	35 3/8	17	33	4 3/4	
3028	4 1/2 Rolled	16	32	7 3/4	19 3/8	35 3/8	17	33	4	
3023	Surf Mtd. Square	19 3/16	35 3/16	8 1/4	19 3/8	35 3/8	-	-	-	
4025	Flat 3/8" Trim *	20	27	7 3/4	23 3/8	30 3/8	21	28	7 5/8	
4026	1 1/4 Square *	20	27	7 3/4	23 3/8	30 3/8	21	28	6 5/8	Two each any Cosmic, Galaxy (20 lb must be mounted on cabinet tub), Mercury, Saturn or Grenadier P, Sentinel 5
4027	2 1/2 Rolled *	20	27	7 3/4	23 3/8	30 3/8	21	28	6	
4022	4 Rolled/Flush Pull *	20	27	7 3/4	23 3/8	30 3/8	21	28	4 3/4	
4028	4 1/2 Rolled	20	27	7 3/4	23 3/8	30 3/8	21	28	4	
4023	Surf Mtd. Square	23 3/16	30 3/16	8 1/4	23 3/8	30 3/8	-	-	-	

* Cabinets that Meet 4" Maximum ADA Projection Requirement.

OPTIONS (Ask Us About Options):

DOOR STYLE WITH HANDLE

- Full Glazing
- Solid with SAF-T-LOK™
- Full Glazing with SAF-T-LOK™
- Solid with Cylinder Lock - No Handle
- Horizontal Duo Panel
- Vertical Duo
- Horizontal Dual Panel with SAF-T-LOK™
- Vertical Duo with SAF-T-LOK™
- Solid Door
- Solid with 2" x 4" View Window & SAF-T-LOK™

DOOR GLAZING

- Clear Acrylic
- Bronze Acrylic
- Clear Tempered Glass
- Clear Wire Glass with Safety Film
- Gray Acrylic
- Laminated Safety Glass

OPTIONAL FEATURES AT ADDED COST

- Optional Tub Color:
 - Black
 - Red
- Black Vertical FE Letters
- Black Vertical Decal
- Commander Alarm
- Futura "Fire" Pull
 - Mill Alum
 - White
- Etched/Engraved Lettering in Glass or Metal- Attach Sub.

- Brigadier Alarm
- Flush Pull Handle
- White Vertical FE Letters
- White Vertical Decal
- Strobe Alarm (Surface Mount Models)
- Polished Chrome Handle
- Black Horizontal FE Letters
- Black Horizontal Decal

- White Horizontal FE Letters
- Aluminum Tub - Clear Anodized
- Aluminum Tub - Clear Anodized
- Red Vertical FE Letters
- Red Vertical Decal
- Red Horizontal FE Letters
- Red Horizontal Decal
- White Horizontal Decal