

# SUBMITTAL/TECHNICAL DATA SHEET



## SPECIFICATIONS

01. Heavy duty forged stainless steel hinges with stainless steel pins
02. Automatic hold open arm
03. 1-1/2" Drain coupling
04. Standard slam lock
05. 1/4" Aluminum diamond pattern plate cover
06. 1/4" Aluminum channel frame with recessed anchors
07. Heavy duty check chain
08. Stainless steel lifting mechanism

### SHOP FINISH:

ALUMINUM: Mill finish  
HARDWARE: Type 316 Stainless steel  
(Unless otherwise specified)

Reinforced for H20 loading

### INSTALLER NOTES:

A. Use caution. Cover is spring loaded. Do not remove safety shipping bolt until unit is to be installed and in normal horizontal operating position.

B. Be sure unit is set on slight pitch toward drain corner.

C. Before anchoring in place open and close door. Check to see that the door in the closed position rests on the frame all around. If not, shim under the frame at the proper corner.

D. Do not reduce 1 1/2" drain pipe to dry well or disposal system.

E. Bend down anchors if required

For a complete list of options visit [www.AccessDoorsAndPanels.com](http://www.AccessDoorsAndPanels.com)

QTY	TYPE	SIZE WIDTH X LENGTH
■	JD-1ALH20	4'-0" X 2'-6" [1220mm] X [762mm]
■	JD-2ALH20	4'-0" X 4'-0" [1220mm] X [1220mm]
■	JD-3ALH20	4'-0" X 6'-0" [1220mm] X [1830mm]
■	JD-4ALH20	5'-0" X 5'-0" [1525mm] X [1525mm]

SKU: **JDAL-H20**

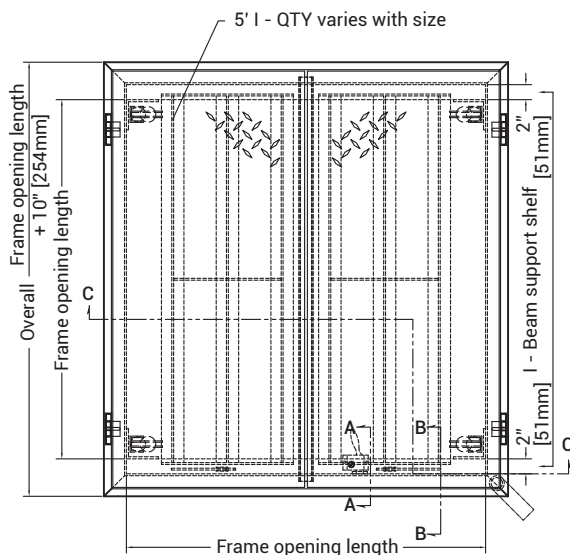
**DOUBLE LEAF  
ACCESS DOOR**

EXTERIOR



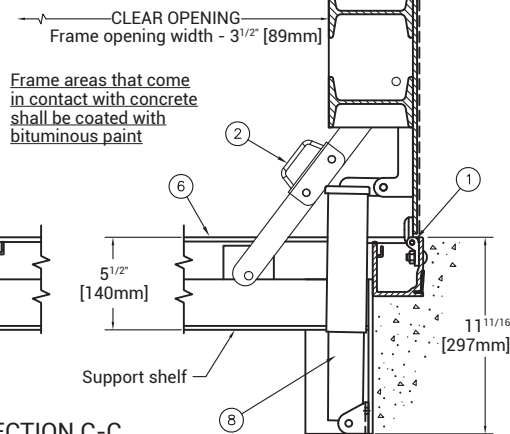
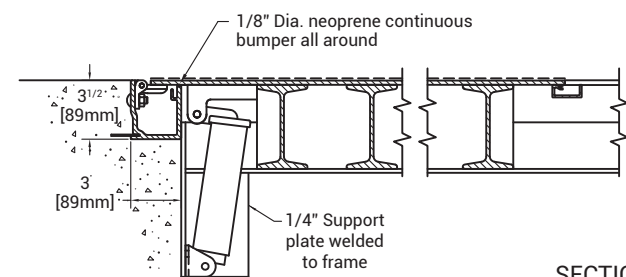
## DIMENSIONS AND APPEARANCE

>> CLICK TO VIEW ADDITIONAL DETAILS AND PRICING <<



**NOTE:**  
DESIGNED TO WITHSTAND H-20 WHEEL LOADING SUITABLE FOR USE IN OFFSTREET LOCATIONS WHERE NOT SUBJECTED TO HIGH DENSITY TRAFFIC

For more details see submittal page.



## PROJECT DATA

Custom Sizes Available - Fast!

PROJECT NAME :	QTY	W	H	OPTIONS
ARCHITECT :				
DEALER :				
CONTRACTOR :				
LOCATION :	SPECIAL INSTRUCTIONS :			
DATE :				
TAGGING INSTRUCTIONS :	SUBMITTAL APPROVAL : (signature or stamp)			

Scan or Click



To view Pricing and Additional Product Info.

TELEPHONE:  
1-888-457-1275

FAX:  
1-888-626-2907



PO BOX 66738 #76520,  
SAINT LOUIS, MO  
63166-6738  
USA



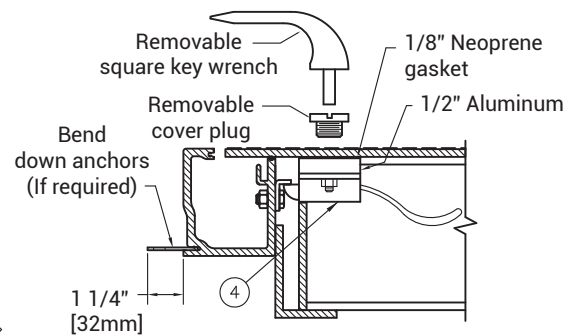
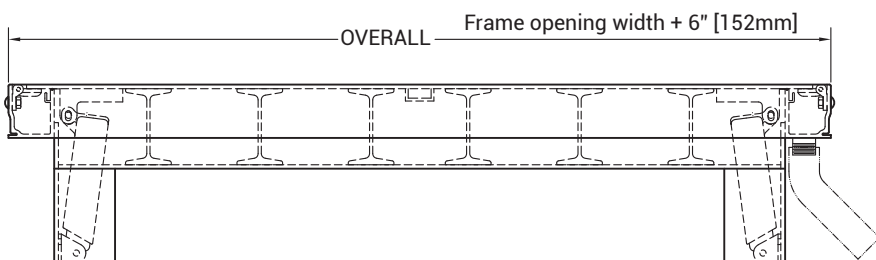
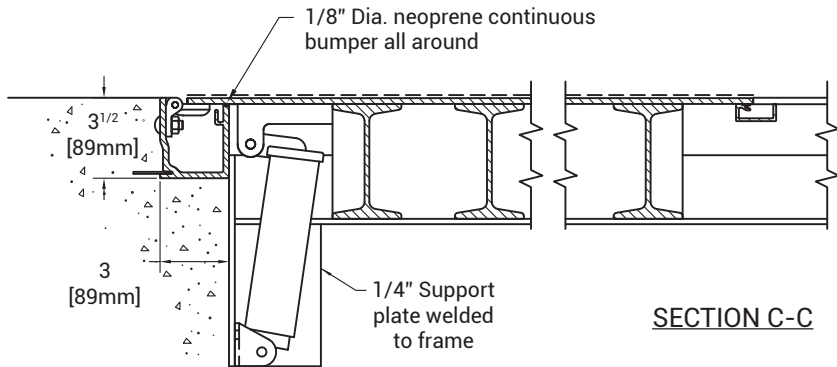
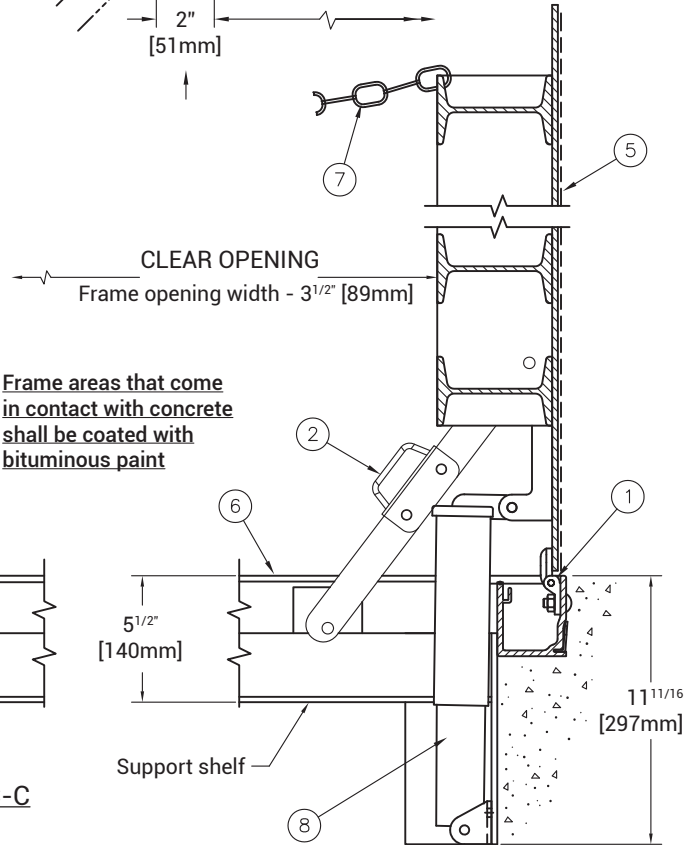
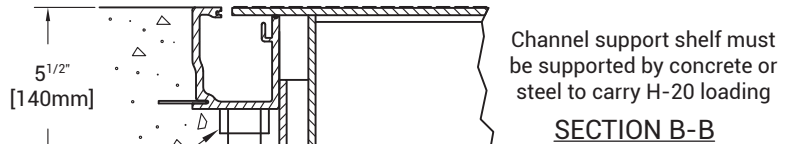
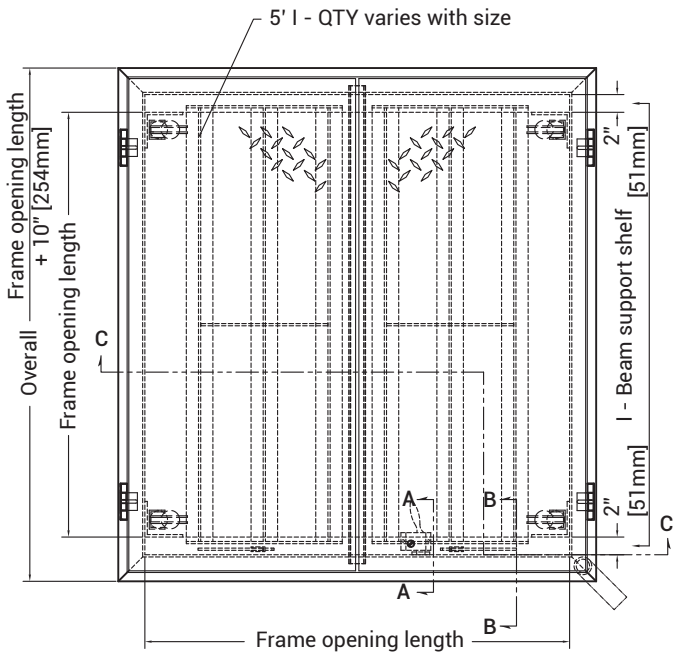
WEBSITE:  
[www.AccessDoorsAndPanels.com](http://www.AccessDoorsAndPanels.com)

E-MAIL:  
[info@AccessDoorsAndPanels.com](mailto:info@AccessDoorsAndPanels.com)



# JDAL-H20

# EXTERIOR DOUBLE LEAF ACCESS DOOR



**SECTION A-A**  
STANDARD SLAM LOCK