

SUBMITTAL/TECHNICAL DATA SHEET



SPECIFICATIONS

01. Heavy duty forged brass hinges with stainless steel pins
02. Guide arm (if req'd)
03. 1-1/2" Drain coupling
04. Standard slam lock
05. Automatic hold open arm with red vinyl grip
06. 1/4" Steel diamond pattern plate cover
07. 1/4" Steel channel frame with welded 1 1/4" x 1 1/4" anchor flange
08. Heavy duty check chain
08. Lifting mechanism with reinforced composite tubes & compression springs

SHOP FINISH:

ALUMINUM: Mill finish

HARDWARE: Type 316 Stainless steel
(Unless otherwise specified)

Reinforced for H20 loading

INSTALLER NOTES:

A. Use caution. Cover is spring loaded. Do not remove safety shipping bolt until unit is to be installed and in normal horizontal operating position.

B. Be sure unit is set on slight pitch toward drain corner.

C. Before anchoring in place open and close door. Check to see that the door in the closed position rests on the frame all around. If not, shim under the frame at the proper corner.

D. Do not reduce 1 1/2" drain pipe to dry well or disposal system.

For a complete list of options visit
www.AccessDoorsAndPanels.com

QTY	TYPE	SIZE WIDTH X LENGTH	SHELF DEPTH
■	JD-1H20	4'-0" X 2'-6" [1220mm] X [762mm]	4 1/2" [114mm]
■	JD-2H20	4'-0" X 4'-0" [1220mm] X [1220mm]	5 1/2" [140mm]
■	JD-3H20	4'-0" X 6'-0" [1220mm] X [1830mm]	7 1/2" [191mm]
■	JD-4H20	5'-0" X 5'-0" [1525mm] X [1525mm]	6 1/2" [165mm]



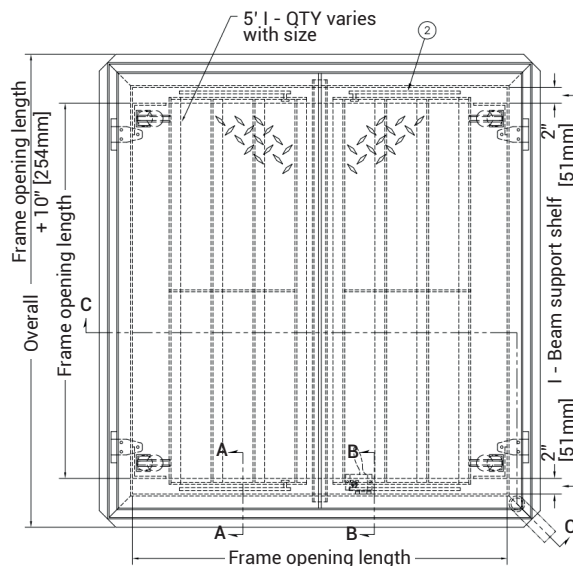
SKU: **JD-H20**

FLOOR ACCESS DOOR

DOUBLE LEAF - EXTERIOR

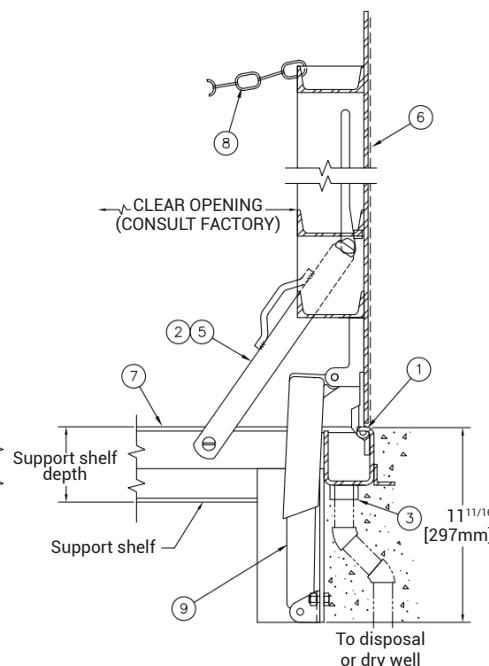
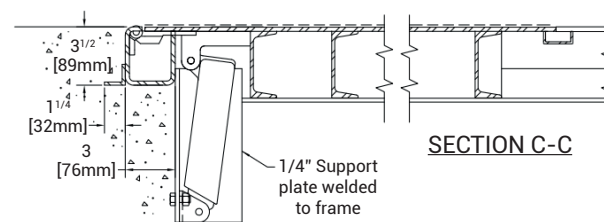
DIMENSIONS AND APPEARANCE

>> CLICK TO VIEW ADDITIONAL DETAILS AND PRICING <<



NOTE:
DESIGNED TO WITHSTAND H-20 WHEEL LOADING SUITABLE FOR USE IN OFFSTREET LOCATIONS WHERE NOT SUBJECTED TO HIGH DENSITY TRAFFIC

For more details see submittal page.



PROJECT DATA

Custom Sizes Available - Fast!

PROJECT NAME :	QTY	W	H	OPTIONS
ARCHITECT :				
DEALER :				
CONTRACTOR :				
LOCATION :	SPECIAL INSTRUCTIONS :			
DATE :				
TAGGING INSTRUCTIONS :	SUBMITTAL APPROVAL : (signature or stamp)			

Scan or Click



To view Pricing and Additional Product Info.

TELEPHONE:
1-888-457-1275
FAX:
1-888-626-2907



PO BOX 66738 #76520,
SAINT LOUIS, MO
63166-6738
USA



WEBSITE:
www.AccessDoorsAndPanels.com
E-MAIL:
info@AccessDoorsAndPanels.com



JD-H20

EXTERIOR DOUBLE LEAF FLOOR ACCESS DOOR

