

# SUBMITTAL/TECHNICAL DATA SHEET



## SPECIFICATIONS

01. Frame with capflashing (Corners full welded) GS-50 - 11 gauge aluminum
02. Pintle hinge
03. Gasket (All around cover)
05. Polycarbonate dome (Clear)
06. Spring lifting mechanism
07. 1" Rigid fiberboard insulation
08. Outside handle with padlock hasp
09. Inside handle with padlock hasp
10. Arm guide bracket
11. Condensate channel with drainage to exterior
12. Hold open arm with red vinyl grip
13. Butyl sealant
14. Lock strike and padlock hasp
15. Bilclip® flashing system

### SHOP FINISH

ALUMINIUM: Mill finish  
HARDWARE: Non-corrosive Materials  
(Unless otherwise specified)

### NOTES:

This product may be installed on either a flat or sloping roof. When installed on a slope, the hinge side must run parallel with the slope. If slope exceeds 30°, advise factory for modification.



SKU: **GSS-50**

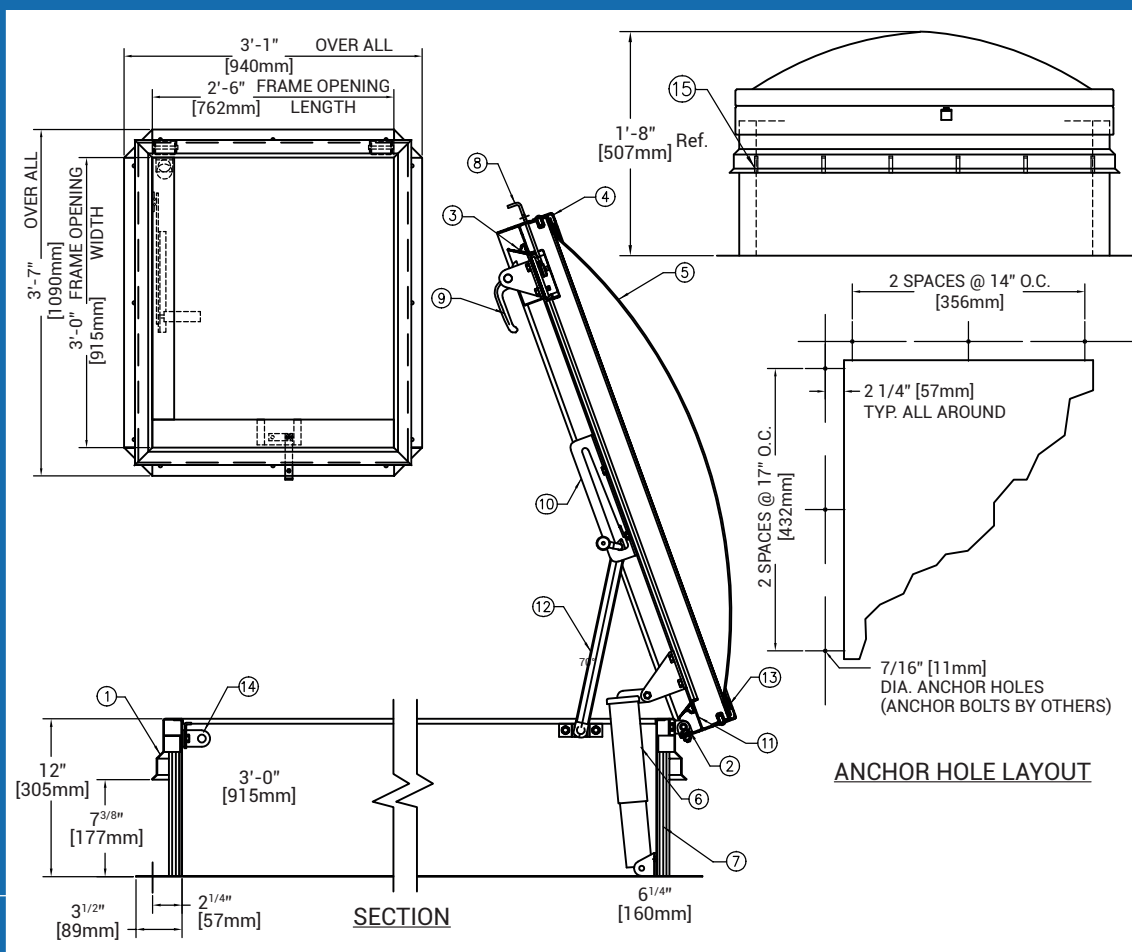
## ROOF ACCESS HATCH

DOOMED TYPE GS



## DIMENSIONS AND APPEARANCE

>> CLICK TO VIEW ADDITIONAL DETAILS AND PRICING <<



For a complete list of options visit [www.AccessDoorsAndPanels.com](http://www.AccessDoorsAndPanels.com)

QTY TYPE SIZE WIDTH X LENGTH

GSS-50 3'-0" X 2'6" 915mm X 760mm ALUM. COVER/ALUM. FRAME

## PROJECT DATA

Custom Sizes Available - Fast!

PROJECT NAME :	QTY	W	H	OPTIONS
ARCHITECT :				
DEALER :				
CONTRACTOR :				
LOCATION :	SPECIAL INSTRUCTIONS :			
DATE :				
TAGGING INSTRUCTIONS :	SUBMITTAL APPROVAL : (signature or stamp)			

Scan or Click



To view Pricing and Additional Product Info.

TELEPHONE:  
1-888-457-1275  
FAX:  
1-888-626-2907



PO BOX 66738 #76520,  
SAINT LOUIS, MO  
63166-6738  
USA



WEBSITE:  
[www.AccessDoorsAndPanels.com](http://www.AccessDoorsAndPanels.com)  
E-MAIL:  
[info@AccessDoorsAndPanels.com](mailto:info@AccessDoorsAndPanels.com)