



JL INDUSTRIES

SUBMITTAL/TECHNICAL DATA SHEET

DESCRIPTIONS

The GF series of lightweight glass fiber reinforced gypsum access panels are designed to blend seamlessly into drywall ceilings and walls with the minimum of visible lines.

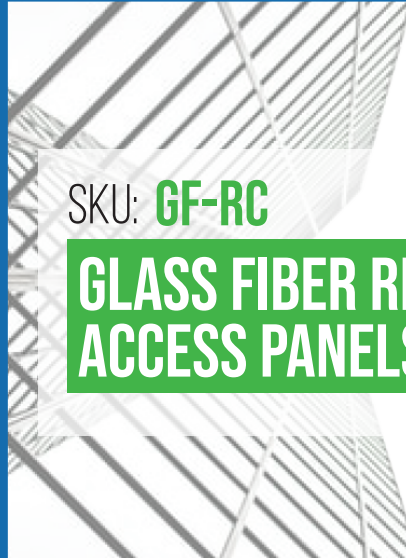
These panels are manufactured from a 70% post-consumer recycled glass for a unique green-design matrix designed to blend seamlessly into your walls and ceilings.

SPECIFICATIONS

The assembly consists of a surround frame and either a drop down or hinged door. These seamless access door panels are perfect for jobs where access is required at regular intervals.

Panels are lightweight and easily textured for new or retrofit applications and feature a tapered edge for a smooth tape joint. The smart design helps contractors work smarter, faster, and better with deeper tapered edges, level 5 finish, pre-countersunk locations with superior plywood embedments for addition mechanical strength resulting in drywall joints that won't shrink, crack, or sag.

Fuel Contribution (ASTM E84-80: 0, Flame spread (ASTM E84-80) 0, Combustion (ASTM E84-80) Non-combustible.



SKU: **GF-RC**

GLASS FIBER REINFORCED ACCESS PANELS



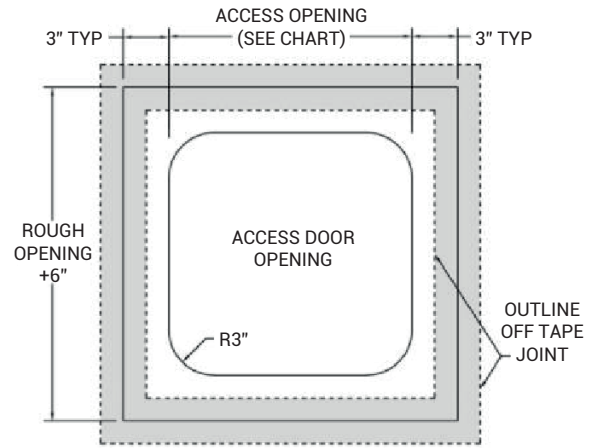
DIMENSIONS AND APPEARANCE

>> CLICK TO VIEW ADDITIONAL DETAILS AND PRICING <<

STANDARD SIZES:

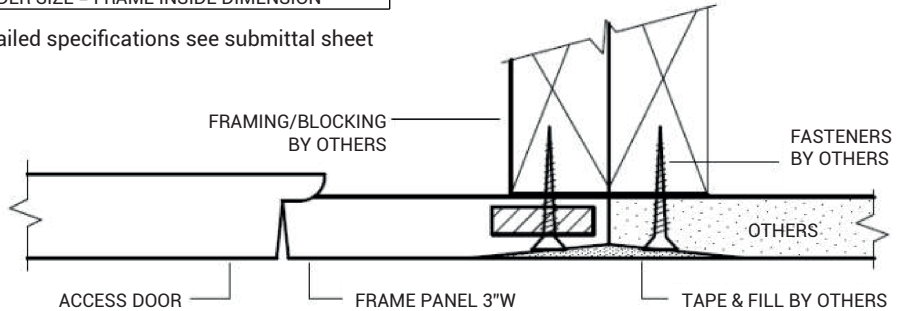
9GF - ACCESS PANELS WITH DROP-IN DOOR			
Square Corners	Rounded Corners		
9GF-0909SQ	9GF-0909	9" x 9"	15" x 15"
9GF-1212SQ	9GF-1212	12" x 12"	18" x 18"
9GF-1616SQ	9GF-1616	16" x 16"	22" x 22"
9GF-1818SQ	9GF-1818	18" x 18"	24" x 24"
9GF-2424SQ	9GF-2424	24" x 24"	30" x 30"
9GF-3030SQ	9GF-3030	30" x 30"	36" x 36"
9GFH - Hinged Panels with Cam Latch (concealed hinge)			
Square Corners	Rounded Corners		
9GFH-0909SC	9GFH-0909RC	9" x 9"	15" x 15"
9GFH-1212SC	9GFH-1212RC	12" x 12"	18" x 18"
9GFH-1616SC	9GFH-1616RC	16" x 16"	22" x 22"
9GFH-1818SC	9GFH-1818RC	18" x 18"	24" x 24"
9GFH-2424SC	9GFH-2424RC	24" x 24"	30" x 30"
9GFR - Round Access Panels with Drop-In Door			
9GFR-09	9" Diameter Round Door	15" x 15"	
9GFR-12	12" Diameter Round Door	18" x 18"	
9GFR-16	16" Diameter Round Door	22" x 22"	
9GFR-18	18" Diameter Round Door	24" x 24"	
9GFR-24	24" Diameter Round Door	30" x 30"	

ORDER SIZE = FRAME INSIDE DIMENSION



9GF - Drop In Door - Rounded Corners

For detailed specifications see submittal sheet



Drop-In Door Models

For a complete list of options visit www.AccessDoorsAndPanels.com

PROJECT DATA

Custom Sizes Available - Fast!

Scan or Click



To view Pricing and Additional Product Info.

PROJECT NAME :	QTY	W	H	OPTIONS
ARCHITECT :				
DEALER :				
CONTRACTOR :				
LOCATION :	SPECIAL INSTRUCTIONS :			
DATE :	SUBMITTAL APPROVAL : (signature or stamp)			
TAGGING INSTRUCTIONS :				

TELEPHONE:
1-888-457-1275

FAX:
1-888-626-2907



PO BOX 66738 #76520,
SAINT LOUIS, MO
63166-6738
USA



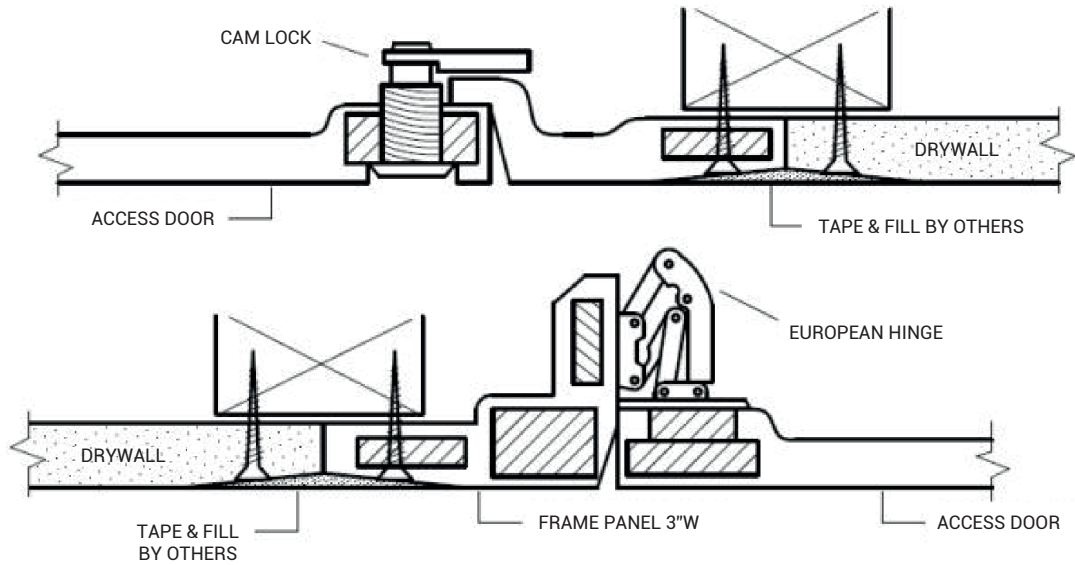
WEBSITE:
www.AccessDoorsAndPanels.com

E-MAIL:
info@AccessDoorsAndPanels.com

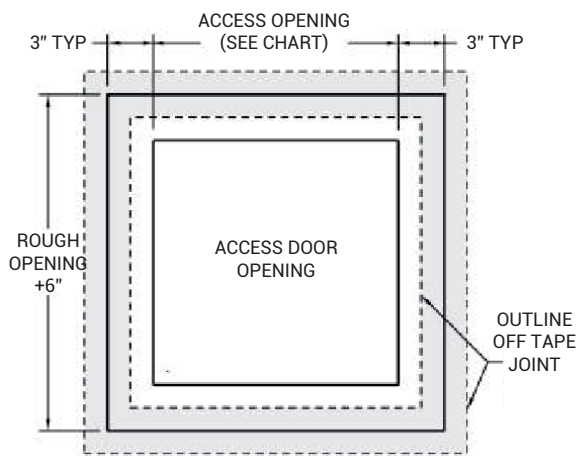


GF-RC

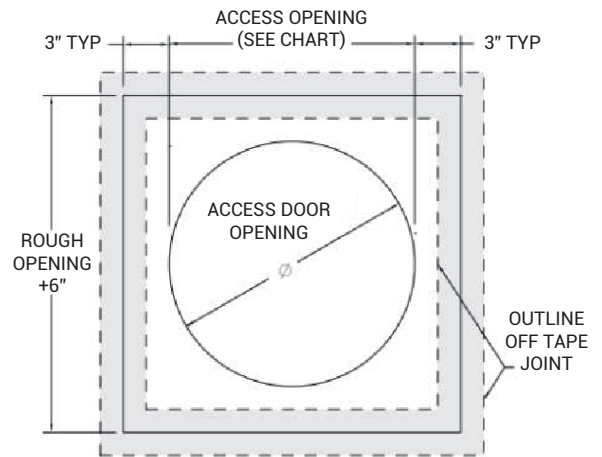
GLASS FIBER REINFORCED ACCESS PANELS



Hinged Door Models



9GFRH & 9GFSQ - Hinged or Drop In Door - Square Corners



9GFR - Round Drop In Door