



# SUBMITTAL/TECHNICAL DATA SHEET

www.AccessDoorsAndPanels.com

## APPLICATION

- For installation in drywall ceilings requiring concealing of the door panel consistent to surroundings
- For use in Fire Rated Ceilings that needs tested and certified doors having Fire Resistance Rating of 90 minutes

## FEATURES

- Recessed reinforced insulated door fitted with 5/8" Fire-rated drywall.
- Concealed hinge & self-centering device ensures seamless appearance in ceiling
- Self-closing & self-latching door mechanism
- Perforated Frame ensures trouble-free application of skim coat to edge of the door
- Zinc coated steel provides superior corrosion resistance
- Testing Standards – CAN ULC S101-14, ASTM E119-16 and NFPA 251 • Recessed reinforced insulated door fitted with 5/8" Fire-rated drywall.
- Concealed hinge & self-centering device ensures seamless appearance in ceiling
- Self-closing & self-latching door mechanism
- Perforated Frame ensures trouble-free application of skim coat to edge of the door
- Zinc coated steel provides superior corrosion resistance
- Testing Standards – CAN ULC S101-14, ASTM E119-16 and NFPA 251



SKU: **FWC**

## FIRE RATED ACCESS DOOR

RECESSED FOR DRYWALL CEILINGS

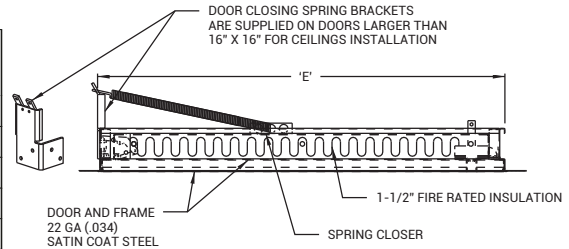


## DIMENSIONS AND APPEARANCE

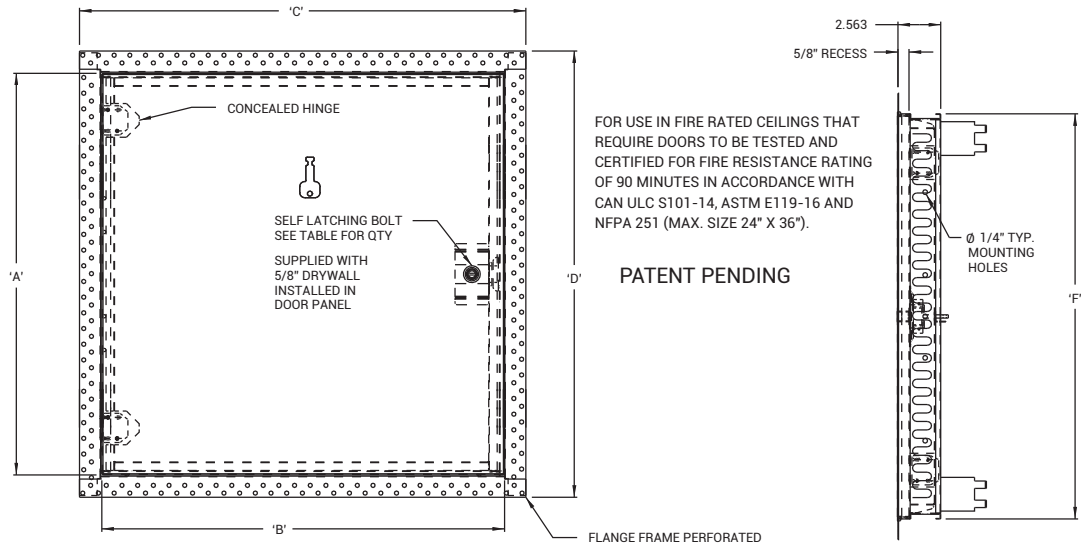
>> CLICK TO VIEW ADDITIONAL DETAILS AND PRICING <<

### STANDARD SIZES:

DOOR SIZE W x H INCHES (MM)	LATCHES	WEIGHT	
		LBS	KG
12 x 12 (305 x 305)	1	11	5.0
16 x 16 (406 x 406)	1	16	7.0
18 x 18 (457 x 457)	1	21	10
24 x 24 (610 x 610)	1	35	16
24 x 36 (610 x 914)	2	44	20



Ceiling opening is  $W + 3/8"$  ( 9 mm)  
For detailed specifications see submittal sheet



## SPECIFICATIONS

- DOOR:** Steel-22 Gauge recessed fitted with 5/8" thick drywall suitable to accept skim coat finish on site.
- DOOR FRAME:** Steel-22 Gauge press bent for strength and rigidity with pre-punched flanges for convenient mounting and accepting skim coat finish on site
- HINGE:** Concealed
- FIRE RATING (CEILINGS):** Meets 90 minutes Fire Resistance Rating in accordance with CAN ULC S101-14, ASTM E119-16 and NFPA 251
- LATCH:** Self-latching bolt, operated by flush key
- FINISH:** Satin coat steel

For a complete list of options visit  
[www.AccessDoorsAndPanels.com](http://www.AccessDoorsAndPanels.com)

Proprietary property of Acudor Products, Inc., sold and distributed with proper authorization

## PROJECT DATA

Custom Sizes Available - Fast!

Scan or Click



To view Pricing and Additional Product Info.

PROJECT NAME :	QTY	W	H	OPTIONS
ARCHITECT :				
DEALER :				
CONTRACTOR :				
LOCATION :	SPECIAL INSTRUCTIONS :			
DATE :				
TAGGING INSTRUCTIONS :	SUBMITTAL APPROVAL : (signature or stamp)			

TELEPHONE:  
1-888-457-1275

FAX:  
1-888-626-2907



PO BOX 66738 #76520,  
SAINT LOUIS, MO  
63166-6738  
USA



WEBSITE:  
[www.AccessDoorsAndPanels.com](http://www.AccessDoorsAndPanels.com)

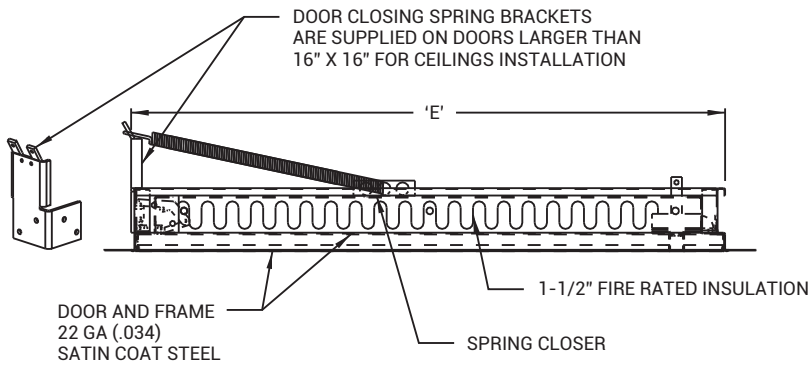
E-MAIL:  
[info@AccessDoorsAndPanels.com](mailto:info@AccessDoorsAndPanels.com)



# FWC

# RECESSED FOR DRYWALL CEILING

NOMINAL DOOR SIZE	A	B	C	D	E	F	LATCH
Inches (mm)							
12 x 12 (305 x 305)	11.83 (756)	11.89 (302)	14.48 (368)	14.48 (813)	12.17 (309)	12.04 (306)	1
14 x 14 (356 x 356)	13.83 (909)	13.89 (353)	16.48 (419)	16.48 (965)	14.17 (360)	14.04 (357)	1
16 x 16 (406 x 406)	15.83 (909)	15.89 (404)	18.48 (469)	18.48 (965)	16.17 (411)	16.04 (407)	1
18 x 18 (457 x 457)	17.83 (1214)	17.89 (454)	20.48 (520)	20.48 (1270)	18.17 (462)	18.04 (458)	1
24 x 24 (610 x 610)	23.83 (756)	23.89 (607)	26.48 (673)	26.48 (813)	24.17 (614)	24.04 (611)	1
24 x 36 (610 x 914)	35.83 (909)	23.89 (607)	26.48 (673)	38.48 (965)	24.17 (614)	36.04 (915)	2



### CEILING

FOR USE IN FIRE RATED CEILING THAT REQUIRE DOORS TO BE TESTED AND CERTIFIED FOR FIRE RESISTANCE RATING OF 90 MINUTES IN ACCORDANCE WITH CAN ULC S101-14, ASTM E119-16 AND NFPA 251 (MAX. SIZE 24" X 36").

