



JL INDUSTRIES

SUBMITTAL/TECHNICAL DATA SHEET

DESCRIPTIONS

The retrofit floor door is ready to be installed in an existing floor opening.

SPECIFICATIONS

FRAME MATERIAL: 1/4" extruded aluminum.

DOOR MATERIAL: Reinforced 1/4" diamond aluminum plate.

STANDARD FINISH: Mill.

FRAME CONSTRUCTION: Pre-drilled .28" dia mounting holes for 1/4" hardware (by others) 1-1/2" from bottom of frame.

LATCH: 304 Stainless steel slam latch with flush key operator on exterior and handle opener on inside. Removable stainless 18-8 threaded plug and 5/16" steel square key included.

HINGE: 304 Stainless steel.

SPRING: 304 Stainless steel gas assist opener.

HOLD OPEN ARM: Stainless steel automatically locks door open.

LOAD: 300 psf

SIZES:
Minimum 23" x 23"
Maximum 48" x 48"



SKU: **FLDE**

ANGLED EXISTING FLOOR DOOR



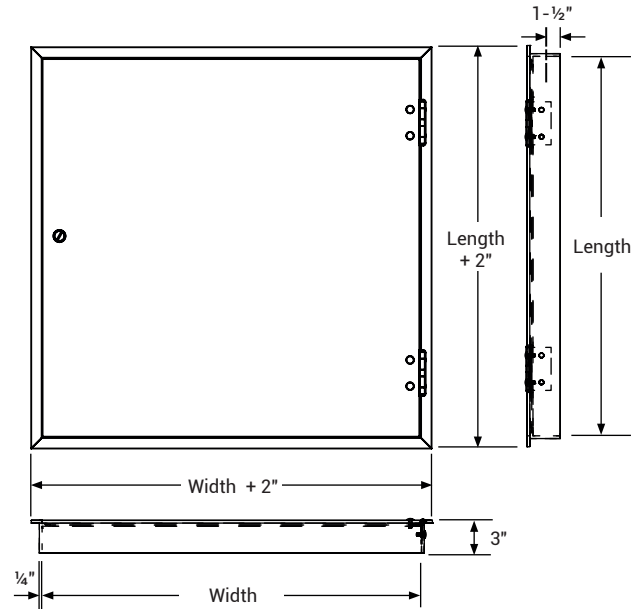
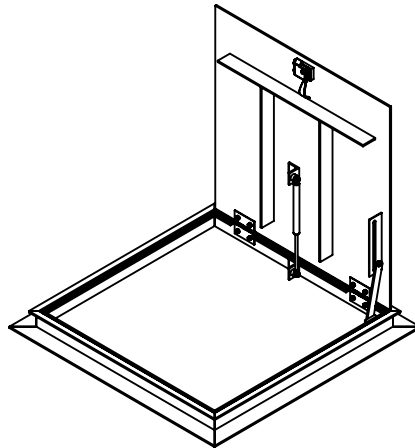
DIMENSIONS AND APPEARANCE

>> CLICK TO VIEW ADDITIONAL DETAILS AND PRICING <<

STANDARD SIZES:

MODEL	ORDER SIZE		EXISTING OPENING		APPROX. WEIGHT
	WIDTH	LENGTH			
FLDE-2323S	23"	23"	24"	24"	60
FLDE-2335S	23"	35"	24"	36"	76
FLDE-2929S	29"	29"	30"	30"	81
FLDE-2947S	29"	47"	30"	48"	115
FLDE-3535S	35"	35"	36"	36"	100
FLDE-3547S	35"	47"	36"	48"	118
FLDE-4141S	41"	41"	42"	42"	120
FLDE-4747S	47"	47"	48"	48"	154

ORDER SIZE = FRAME INSIDE DIMENSION



ADDITIONAL OPTIONS:

■ Padlock Tab - PT

For detailed specifications see submittal sheet

For a complete list of options visit www.AccessDoorsAndPanels.com

PROJECT DATA

Custom Sizes Available - Fast!

Scan or Click



To view Pricing and Additional Product Info.

PROJECT NAME :	QTY	W	H	OPTIONS
ARCHITECT :				
DEALER :				
CONTRACTOR :				
LOCATION :	SPECIAL INSTRUCTIONS :			
DATE :				
TAGGING INSTRUCTIONS :	SUBMITTAL APPROVAL : (signature or stamp)			

TELEPHONE:
1-888-457-1275

FAX:
1-888-626-2907



PO BOX 66738 #76520,
SAINT LOUIS, MO
63166-6738
USA



WEBSITE:
www.AccessDoorsAndPanels.com

E-MAIL:
info@AccessDoorsAndPanels.com



SUBMITTAL

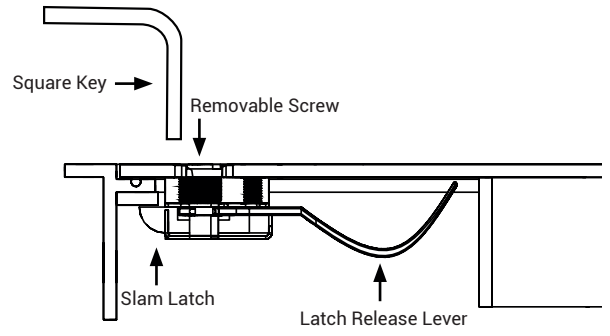
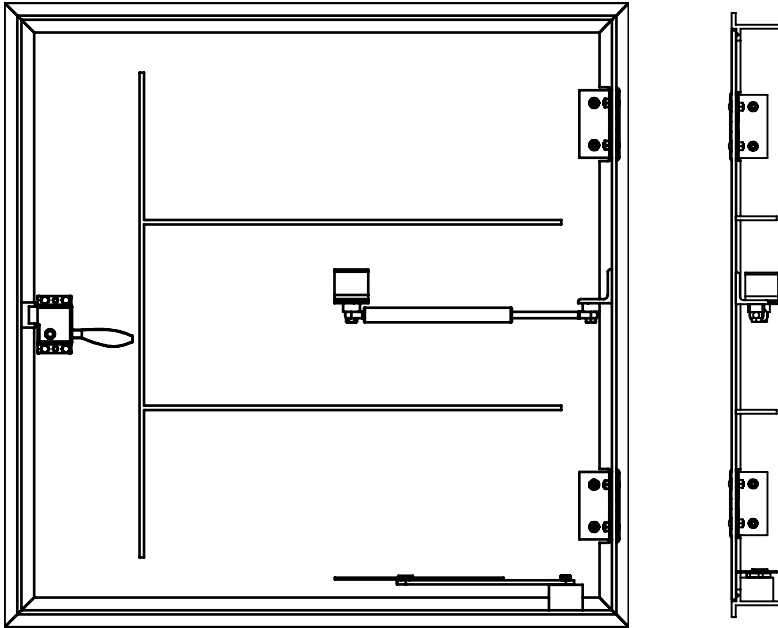
TELEPHONE:
1-888-457-1275
FAX:
1-888-626-2907

PO BOX 66738 #76520,
SAINT LOUIS, MO
63166-6738
USA

WEBSITE:
www.AccessDoorsAndPanels.com
E-MAIL:
info@AccessDoorsAndPanels.com

FLDE

ANGLED EXISTING FLOOR DOOR



Latch Detail

