



JL INDUSTRIES

SUBMITTAL/TECHNICAL DATA SHEET

DESCRIPTIONS

A flush floor door that is designed to remain corrosion-free with non-slip diamond plate surface.

SPECIFICATIONS

FRAME MATERIAL: 1/4" extruded aluminum.

DOOR MATERIAL: Reinforced 1/4" diamond aluminum plate.

STANDARD FINISH: Mill with bituminous coating on outer frame.

LATCH: 304 Stainless steel slam latch with flush key operator on exterior and handle opener on inside. Removable stainless 18-8 threaded plug and 5/16" steel square key included.

HINGE: 304 Stainless steel.

SPRING: 304 Stainless steel gas assist opener.

HOLD OPEN ARM: Stainless steel automatically locks door open.

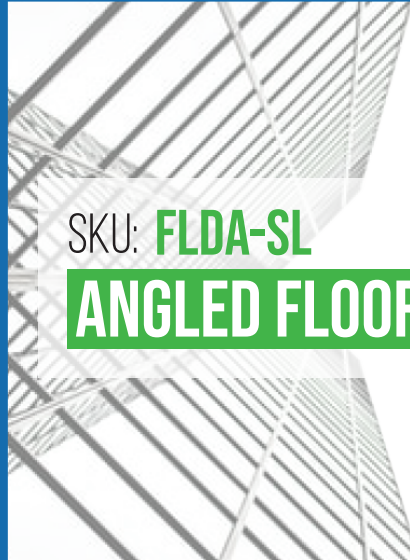
HARDWARE: 18-8 Stainless steel bolts, nuts and washers.

LOAD: 300 psf

SIZES:

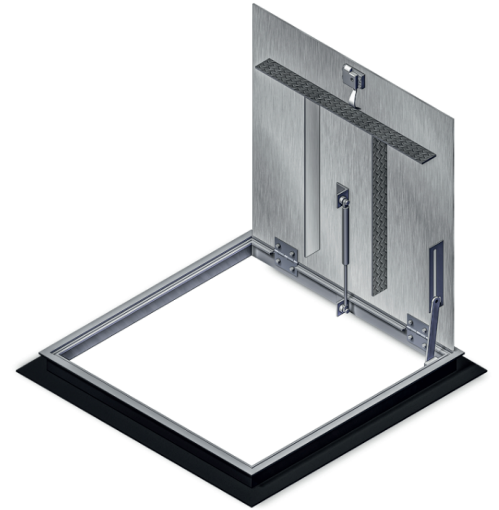
Minimum 24" x 24"

Maximum 60" x 60"



SKU: **FLDA-SL**

ANGLED FLOOR DOOR



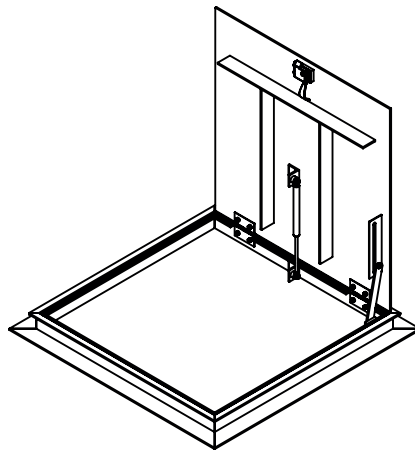
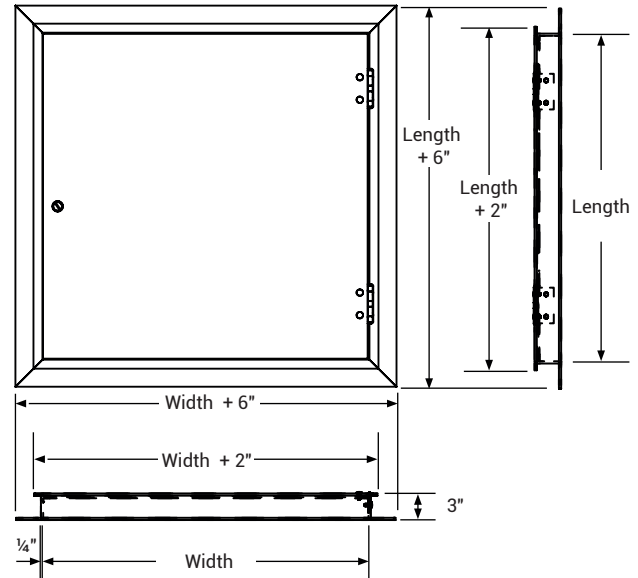
DIMENSIONS AND APPEARANCE

>> CLICK TO VIEW ADDITIONAL DETAILS AND PRICING <<

STANDARD SIZES:

MODEL	ORDER SIZE		DOORS	APPROX. WEIGHT
	WIDTH	LENGTH		
FLDA-2424S	24"	24"	Single	60
FLDA-2436S	24"	36"	Single	76
FLDA-3030S	30"	30"	Single	81
FLDA-3048S	30"	48"	Single	115
FLDA-3636S	36"	36"	Single	100
FLDA-3648S	36"	48"	Single	118
FLDA-3730S	37"	30"	Single	92
FLDA-4242S	42"	42"	Single	120
FLDA-4848S	48"	48"	Single	145
FLDA-4848D	48"	48"	Double	154
FLDA-4848D	60"	60"	Double	215

ORDER SIZE = FRAME INSIDE DIMENSION



ADDITIONAL OPTIONS:

- Padlock Tab - PT

For detailed specifications see submittal sheet

For a complete list of options visit www.AccessDoorsAndPanels.com

PROJECT DATA

Custom Sizes Available - Fast!

Scan or Click



To view Pricing and Additional Product Info.

PROJECT NAME :	QTY	W	H	OPTIONS
ARCHITECT :				
DEALER :				
CONTRACTOR :				
LOCATION :	SPECIAL INSTRUCTIONS :			
DATE :				
TAGGING INSTRUCTIONS :	SUBMITTAL APPROVAL : (signature or stamp)			

TELEPHONE:
1-888-457-1275

FAX:
1-888-626-2907



PO BOX 66738 #76520,
SAINT LOUIS, MO
63166-6738
USA



WEBSITE:
www.AccessDoorsAndPanels.com

E-MAIL:
info@AccessDoorsAndPanels.com



SUBMITTAL

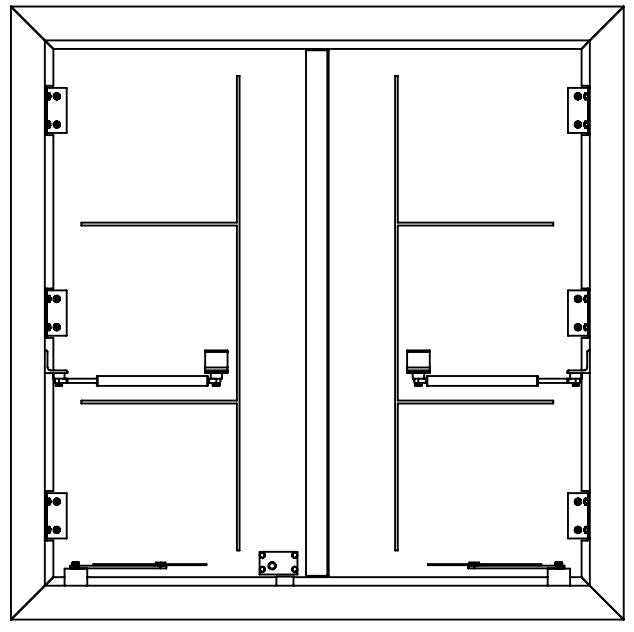
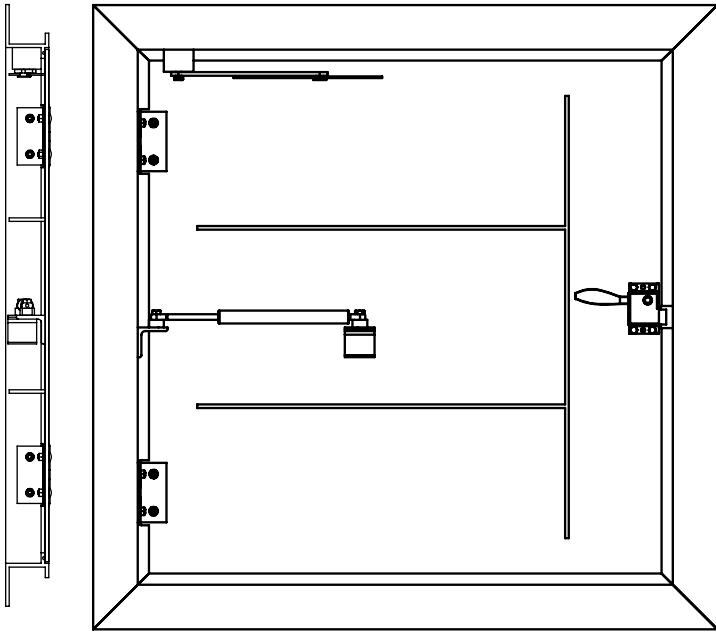
TELEPHONE:
1-888-457-1275
FAX:
1-888-626-2907

PO BOX 66738 #76520,
SAINT LOUIS, MO
63166-6738
USA

WEBSITE:
www.AccessDoorsAndPanels.com
E-MAIL:
info@AccessDoorsAndPanels.com

FLDA-SL

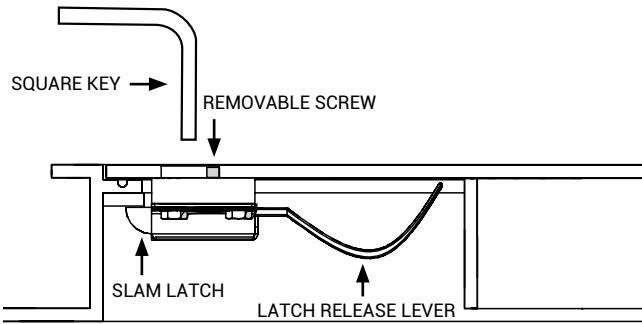
ANGLED FLOOR DOOR



ORDER SIZE = FRAME INSIDE DIMENSION

SINGLE DOOR

DOUBLE DOOR



SQUARE KEY

REMOVABLE SCREW

SLAM LATCH

LATCH RELEASE LEVER

LATCH DETAIL

