



JL INDUSTRIES

# SUBMITTAL/TECHNICAL DATA SHEET

## DESCRIPTIONS

A flush floor door that is designed to remain corrosion-free with non-slip diamond plate surface.

## SPECIFICATIONS

FRAME MATERIAL: 1/4" extruded aluminum.

DOOR MATERIAL: Reinforced 1/4" diamond aluminum plate.

STANDARD FINISH: Mill with bituminous coating on outer frame.

LATCH: 304 Stainless steel slam latch with flush key operator on exterior and handle opener on inside. Removable stainless 18-8 threaded plug and 5/16" steel square key included.

HINGE: 304 Stainless steel.

SPRING: 304 Stainless steel gas assist opener.

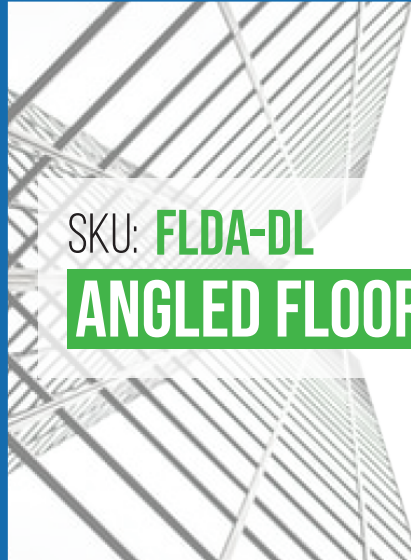
HOLD OPEN ARM: Stainless steel automatically locks door open.

HARDWARE: 18-8 Stainless steel bolts, nuts and washers.

LOAD: 300 psf

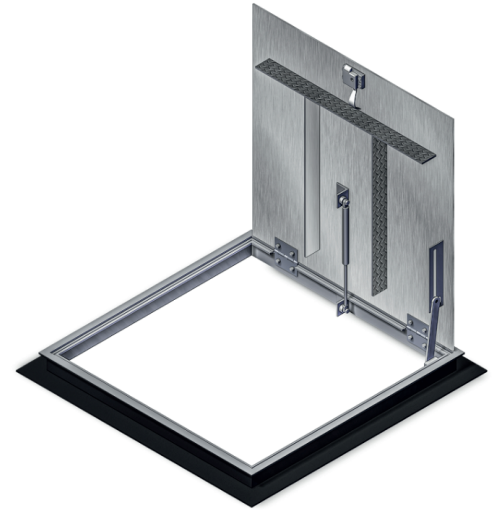
SIZES:

Minimum 24" x 24"  
Maximum 60" x 60"



SKU: **FLDA-DL**

## ANGLED FLOOR DOOR



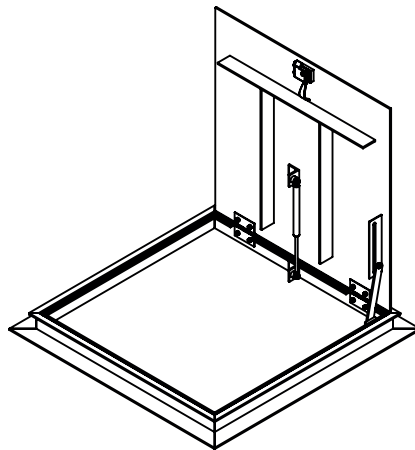
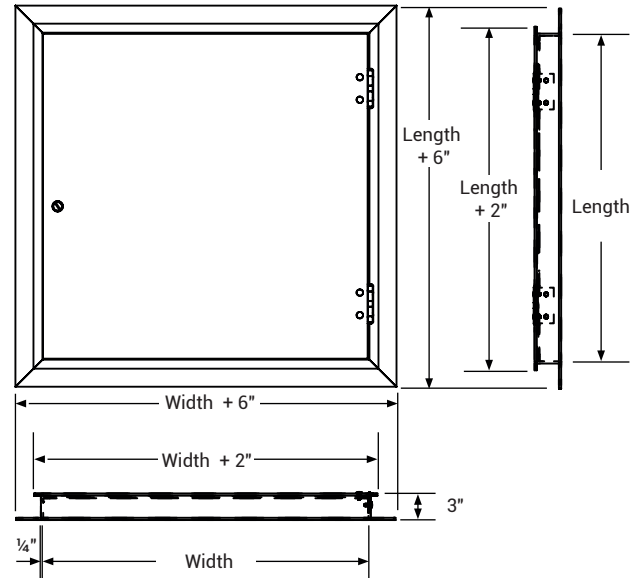
## DIMENSIONS AND APPEARANCE

>> CLICK TO VIEW ADDITIONAL DETAILS AND PRICING <<

### STANDARD SIZES:

MODEL	ORDER SIZE		DOORS	APPROX. WEIGHT
	WIDTH	LENGTH		
FLDA-2424S	24"	24"	Single	60
FLDA-2436S	24"	36"	Single	76
FLDA-3030S	30"	30"	Single	81
FLDA-3048S	30"	48"	Single	115
FLDA-3636S	36"	36"	Single	100
FLDA-3648S	36"	48"	Single	118
FLDA-3730S	37"	30"	Single	92
FLDA-4242S	42"	42"	Single	120
FLDA-4848S	48"	48"	Single	145
FLDA-4848D	48"	48"	Double	154
FLDA-4848D	60"	60"	Double	215

ORDER SIZE = FRAME INSIDE DIMENSION



### ADDITIONAL OPTIONS:

- Padlock Tab - PT

For detailed specifications see submittal sheet

For a complete list of options visit [www.AccessDoorsAndPanels.com](http://www.AccessDoorsAndPanels.com)

## PROJECT DATA

Custom Sizes Available - Fast!

Scan or Click



To view Pricing and Additional Product Info.

PROJECT NAME :	QTY	W	H	OPTIONS
ARCHITECT :				
DEALER :				
CONTRACTOR :				
LOCATION :	SPECIAL INSTRUCTIONS :			
DATE :				
TAGGING INSTRUCTIONS :	SUBMITTAL APPROVAL : (signature or stamp)			

TELEPHONE:  
1-888-457-1275

FAX:  
1-888-626-2907



PO BOX 66738 #76520,  
SAINT LOUIS, MO  
63166-6738  
USA



WEBSITE:  
[www.AccessDoorsAndPanels.com](http://www.AccessDoorsAndPanels.com)

E-MAIL:  
[info@AccessDoorsAndPanels.com](mailto:info@AccessDoorsAndPanels.com)



# SUBMITTAL

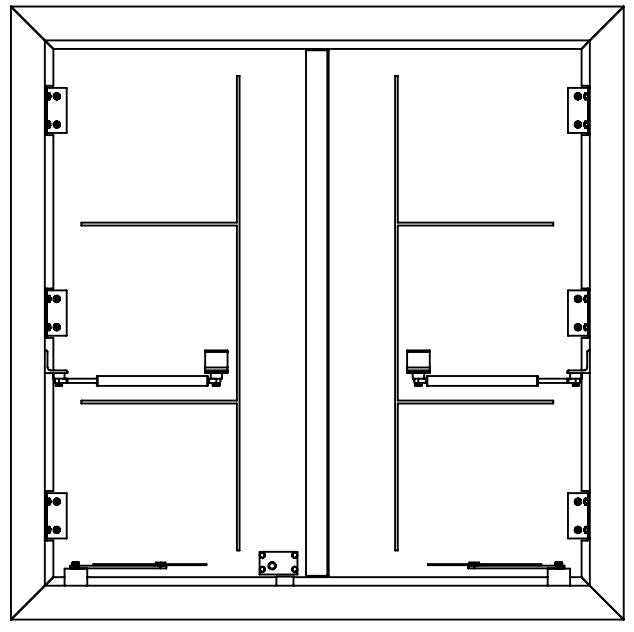
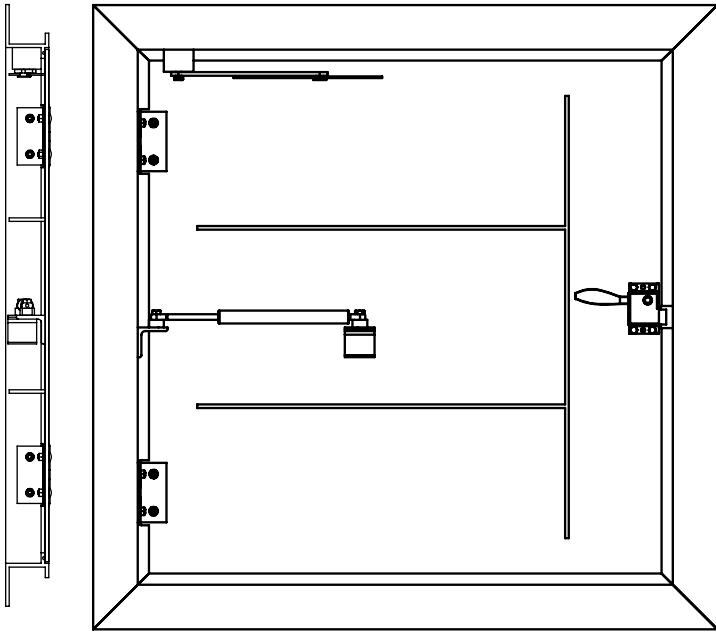
TELEPHONE:  
1-888-457-1275  
FAX:  
1-888-626-2907

PO BOX 66738 #76520,  
SAINT LOUIS, MO  
63166-6738  
USA

WEBSITE:  
[www.AccessDoorsAndPanels.com](http://www.AccessDoorsAndPanels.com)  
E-MAIL:  
[info@AccessDoorsAndPanels.com](mailto:info@AccessDoorsAndPanels.com)

## FLDA-DL

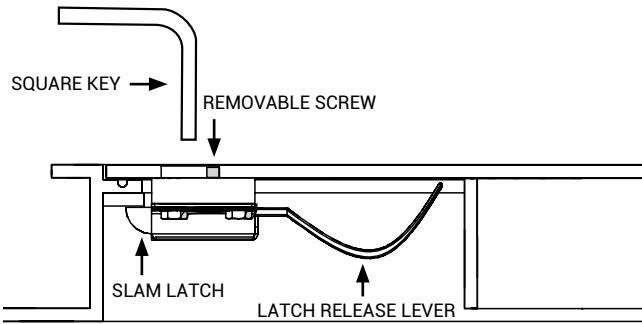
## ANGLED FLOOR DOOR



ORDER SIZE = FRAME INSIDE DIMENSION

SINGLE DOOR

DOUBLE DOOR



SQUARE KEY

REMOVABLE SCREW

SLAM LATCH

LATCH RELEASE LEVER

LATCH DETAIL

