

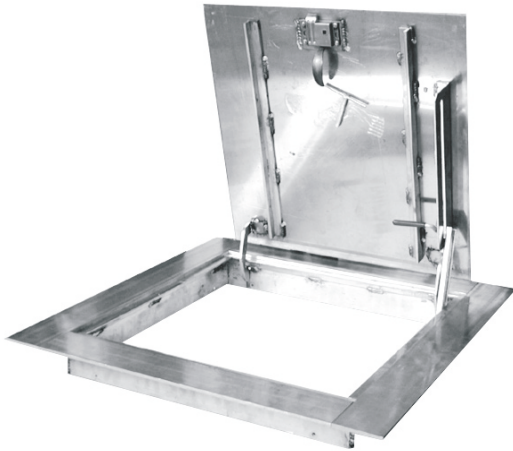
Location: \_\_\_\_\_



**FHA, FHG**

**FLOOR ACCESS DOOR**

**Specification:** MIFAB Series FHA and FHG floor access doors are for interior or exterior use where easy access is required. The angle frame construction with integral anchor flange is designed to be cast into concrete. Available in either prime coated steel (FHG) or aluminum (FHA). Standard units withstand load bearing of 300 lbs. per square foot. MIFAB's floor access doors are designed for safety, durability and ease of operation.



**Material:** FHG Series has a door made of 3/16" (5) thick A36 diamond plate. FHA Series has a door made of 3/16" (5) thick structural grade aluminum diamond plate. Both doors can support 300 lbs. per square foot live load. Frame material is composite hot rolled steel angle frame.

**Finish:** FHG Series is a primed grey finish. FHA Series is an aluminum mill finish. Frame is finished with a bituminous coating.

**Door:** Flush to frame. Equipped with an automatically locking hold open arm that locks the door in the open position.

**Frame:** Complete with a 1" (25) anchor flange. All hardware is Type # 316 stainless steel.

**Hinge:** Tamper proof steel hinges with stainless steel pins.

**Opening Device:** Automatic locking hold open arm with red vinyl grip allows door to open 90 degrees.

**Handle:** Stainless steel recessed lift handle in the door.

**Latch:** The lock provided is one of the following: padlock staple, Type # 316 stainless steel snap lock with removable handle, recessed hasp, Type # 316 stainless steel pentahead, keyed deadbolt lock or hasp and staple.

**Packaging:** Individual pack.

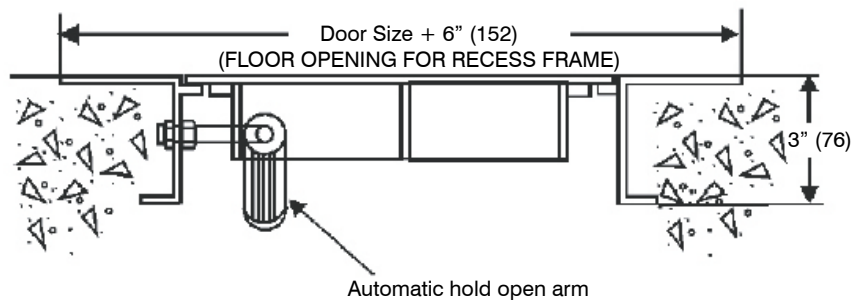
"B" x "A"	FLOOR OPENING	FHA SHIPPING WT. (Lbs.)	FHG SHIPPING WT. (Lbs.)	GALVANIZED MODEL #	ALUMINUM MODEL #
24" x 24"	26-1/2" x 24-1/2"	42.0	90.0	FHG2424	FHA2424
24" x 30"	26-1/2" x 30-1/2"	49.0	105.0	FHG2430	FHA2430
24" x 36"	26-1/2" x 36-1/2"	55.0	120.0	FHG2436	FHA2436
30" x 30"	32-1/2" x 30-1/2"	56.0	122.0	FHG3030	FHA3030
30" x 36"	32-1/2" x 36-1/2"	64.0	138.0	FHG3036	FHA3036
30" x 48"	32-1/2" x 48-1/2"	78.0	172.0	FHG3048	FHA3048
36" x 36"	38-1/2" x 36-1/2"	72.0	156.0	FHG3636	FHA3636
36" x 48"	38-1/2" x 48-1/2"	89.0	194.0	FHG3648	FHA3648
42" x 42"	44-1/2" x 42-1/2"	90.0	196.0	FHG4242	FHA4242
48" x 48"	50-1/2" x 48-1/2"	108.0	240.0	FHG4848	FHA4848
48" x 72"	50-1/2" x 72-1/2"	150.0	332.0	FHG4872	FHA4872
60" x 60"	62-1/2" x 60-1/2"	155.0	340.0	FHG6060	FHA6060

**Optional Accessories:**

- Compression Spring Assist
- Skirting to Depth of Slab
- Fibreglass Insulation
- Safety Chains and Posts
- Access Nets - Safety Net System
- Hoists
- Bolt-on Style Ladders

**SUFFIX OPTIONAL VARIATIONS**

- BA Buy American Act compliant product
- PA Pennsylvania Steel Act compliant product



(Dimension) Denotes Millimetres

**Note:** The hinge is always furnished on the "A" or height (longer) dimension, unless otherwise specified.

Job Name: _____	Page No: _____
Section No: _____	Contract: _____
Schedule No: _____	Purchase Order No: _____