



SUBMITTAL/TECHNICAL DATA SHEET

DESCRIPTIONS

JL Industries' innovative line of fire-rated access panels meets testing standards: UBC 43-7, UL10B, ASTM E152. 1 hour combustible horizontal surfaces. All models feature a 2" thick insulated door and spring-assisted closer. A second spring is included on sizes 16" x 16" thru 24" x 36" and must be used for the ceiling fire-rating on these sizes.

SPECIFICATIONS

FD: STANDARD PANEL (CEILING):
FRAME & TRIM: 16 gauge steel with a paintable 1" wall flange. Welded-on masonry anchors.

DOOR: 2" thick, insulated 20 gauge steel with continuous hinge.

FINISH: White powder coat.

LOCK: Universal turn ring & key lock. (U)

FDS: STAINLESS STEEL (CEILING):
FRAME & TRIM: 16 gauge stainless steel with 1" wall flange. Welded-on masonry anchors.

DOOR: 2" thick, insulated 20 gauge stainless steel with continuous hinge.

FINISH: 304 Stainless steel - #4 Satin finish.

LOCK: Universal turn ring & key lock. (U)

SIZES:
 Minimum 8" x 8",
 Maximum 24" x 36"



SKU: **FDW**

FIRE-RATED CONCEALED FRAME ACCESS PANELS



DIMENSIONS AND APPEARANCE

>> CLICK TO VIEW ADDITIONAL DETAILS AND PRICING <<

STANDARD SIZES:

MODEL SIZE	B		C				C		APPROX. SHIPPING WEIGHT In Pounds	LATCH (ES)
	OUTSIDE FRAME DIMENSION		1- 1/2-Hour UL "B" Rated Wall		1 Hour Combustible Ceiling Opening or 3 Hour Non-Combustible Ceiling		2-3 Hour Non-Combustible Ceiling Rating (Allowance for Fire Rated Liner of Opening)			
W x H	W	H	WIDTH	HEIGHT	WIDTH	HEIGHT	WIDTH	HEIGHT	LBS	
Wall or Ceiling Installation										
8" x 8"	10"	10"	8 3/8"	8 3/8"	8 3/8"	8 3/8"	9 5/8"	9 5/8"	6	1
10" x 10"	12"	12"	10 3/8"	10 3/8"	10 3/8"	10 3/8"	11 5/8"	11 5/8"	8	1
12" x 12"	14"	14"	12 3/8"	12 3/8"	12 3/8"	12 3/8"	13 5/8"	13 5/8"	10	1
14" x 14"	16"	16"	14 3/8"	14 3/8"	14 3/8"	14 3/8"	15 5/8"	15 5/8"	12	1
16" x 16"	18"	18"	16 3/8"	16 3/8"	16 3/8"	16 3/8"	17 5/8"	17 5/8"	15	1
18" x 18"	20"	20"	18 3/8"	18 3/8"	18 3/8"	18 3/8"	19 5/8"	19 5/8"	17	1
20" x 20"	22"	22"	20 3/8"	20 3/8"	20 3/8"	20 3/8"	21 5/8"	21 5/8"	21	1
20" x 30"	22"	32"	20 3/8"	30 3/8"	20 3/8"	30 3/8"	21 5/8"	31 5/8"	28	2
22" x 22"	24"	24"	22 3/8"	22 3/8"	22 3/8"	22 3/8"	23 5/8"	23 5/8"	26	1
22" x 30"	24"	32"	22 3/8"	30 3/8"	22 3/8"	30 3/8"	23 5/8"	31 5/8"	29	2
22" x 36"	24"	38"	22 3/8"	36 3/8"	22 3/8"	36 3/8"	23 5/8"	37 5/8"	36	2
24" x 24"	26"	26"	24 3/8"	24 3/8"	24 3/8"	24 3/8"	25 5/8"	25 5/8"	27	1
24" x 36"	26"	38"	24 3/8"	36 3/8"	24 3/8"	36 3/8"	25 5/8"	37 5/8"	37	2
Wall Installation Only										
24" x 48"	26"	50"	24 3/8"	48 3/8"	-	-	-	-	54	2
30" x 30"	32"	32"	30 3/8"	30 3/8"	-	-	-	-	38	2
32" x 32"	34"	34"	32 3/8"	32 3/8"	-	-	-	-	43	2
36" x 36"	38"	38"	36 3/8"	36 3/8"	-	-	-	-	52	2
36" x 48"	38"	50"	36 3/8"	48 3/8"	-	-	-	-	61	2
48" x 48"	50"	50"	48 3/8"	48 3/8"	-	-	-	-	75	2



FIRE-RATING INFORMATION:
Wall Installation:
 1-1/2 hour UL "B" label in a 2 hour fire barrier. Test # R13067-1

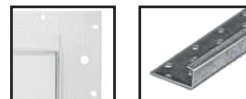
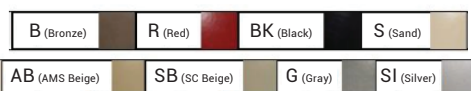
Ceiling Installation:
 Warnock Hersey listed for ceiling installations with 3 hour non-combustible rating or 1 hour combustible rating. Report# J97022944-231. Sizes up to 24 x 36.



Inside of Wall Model

See Drawings on Page 2

Standard Color is White, Optional Colors at Additional Cost



For a complete list of options visit www.AccessDoorsAndPanels.com

PROJECT DATA

Custom Sizes Available - Fast!

Scan or Click



To view Pricing and Additional Product Info.

PROJECT NAME :	QTY	W	H	OPTIONS
ARCHITECT :				
DEALER :				
CONTRACTOR :				
LOCATION :	SPECIAL INSTRUCTIONS :			
DATE :	SUBMITTAL APPROVAL : (signature or stamp)			
TAGGING INSTRUCTIONS :				

TELEPHONE:
 1-888-457-1275
 FAX:
 1-888-626-2907



PO BOX 66738 #76520,
 SAINT LOUIS, MO
 63166-6738
 USA



WEBSITE:
www.AccessDoorsAndPanels.com
 E-MAIL:
info@AccessDoorsAndPanels.com

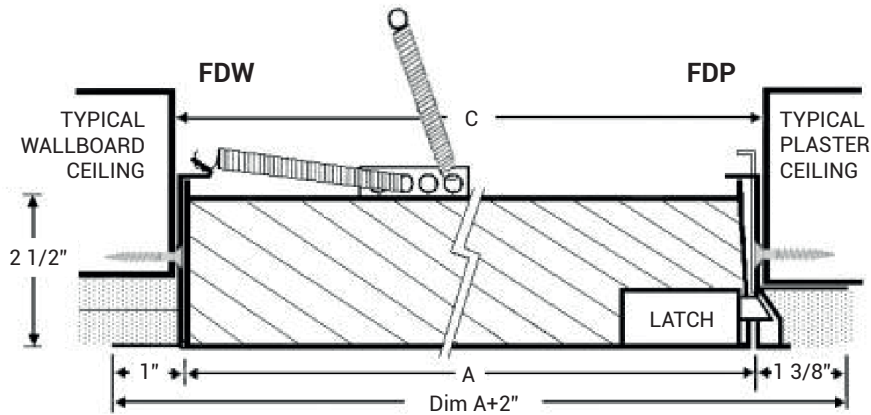


FDW

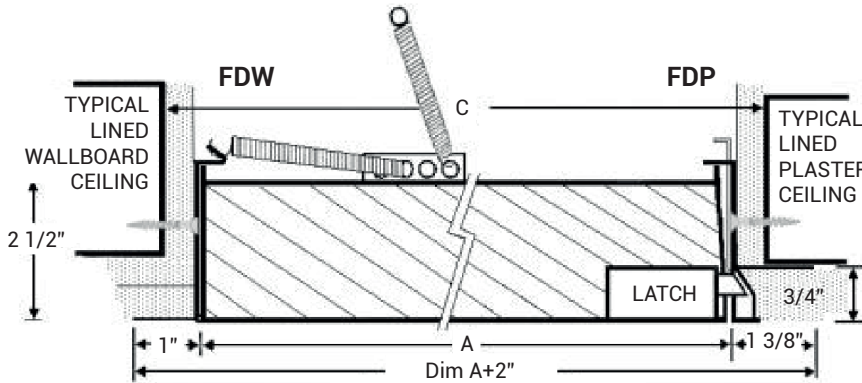
FIRE-RATED & INSULATED CONCEALED FRAME ACCESS PANELS

LATCH AND LOCK OPTIONS:

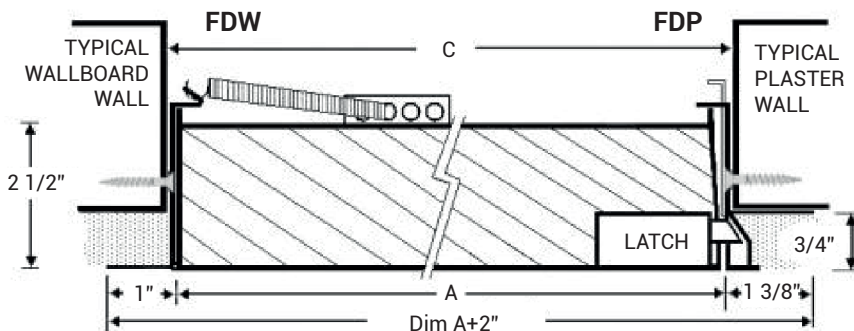
Standard (U) Universal Ring/Key	Optional Knurled Knob (U2)	Optional Knurled Knob (U2)



1 HOUR COMBUSTIBLE RATING - CEILING
(Similar To Wall Installation - Requires Secondary Spring to Close Door)



2-3 HOUR NON-COMBUSTIBLE RATING - CEILING
If Opening is to be Lined with Fire-Blocking Wallboard
(Similar To Wall Installation - Requires Secondary Spring to Close Door)



1-1/2 HOUR UL "B" LABEL IN A
2 HOUR FIRE BARRIER - WALL (Top view)