



JL INDUSTRIES

# SUBMITTAL/TECHNICAL DATA SHEET

## DESCRIPTIONS

JL Industries' innovative line of fire-rated access panels meets testing standards: UBC 43-7, UL10B, ASTM E152. 1 hour combustible horizontal surfaces. All models feature a 2" thick insulated door and spring-assisted closer. A second spring is included on sizes 16" x 16" thru 24" x 36" and must be used for the ceiling fire-rating on these sizes.

## SPECIFICATIONS

FD: STANDARD PANEL (CEILING):  
FRAME & TRIM: 16 gauge steel with a paintable 1" wall flange. Welded-on masonry anchors.

DOOR: 2" thick, insulated 20 gauge steel with continuous hinge.

FINISH: White powder coat.

LOCK: Universal turn ring & key lock. (U)

FDS: STAINLESS STEEL (CEILING):  
FRAME & TRIM: 16 gauge stainless steel with 1" wall flange. Welded-on masonry anchors.

DOOR: 2" thick, insulated 20 gauge stainless steel with continuous hinge.

FINISH: 304 Stainless steel - #4 Satin finish.

LOCK: Universal turn ring & key lock. (U)

SIZES:  
Minimum 8" x 8",  
Maximum 24" x 36"



SKU: **FDS**

# 1HR COMBUSTIBLE CEILING FIRE RATED ACCESS DOORS



## DIMENSIONS AND APPEARANCE

>> CLICK TO VIEW ADDITIONAL DETAILS AND PRICING <<

### STANDARD SIZES:

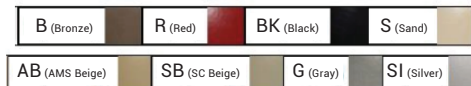
A		B		C		APPROX. SHIPPING WEIGHT In Pounds		LATCH (ES)
MODEL SIZE IS DOOR SIZE WIDTH X HEIGHT		OUTSIDE FRAME DIMENSIONS		1 HOUR COMBUSTIBLE CEILING OPENING		FD	FDS	
INCHES	mm	W	H	WIDTH	HEIGHT			
8" x 8"	203 x 203	10"	10"	8 3/8"	8 3/8"	6	6	1
10" x 10"	254 x 254	12"	12"	10 3/8"	10 3/8"	8	8	1
12" x 12"	305 x 305	14"	14"	12 3/8"	12 3/8"	10	10	1
14" x 14"	356 x 356	16"	16"	14 3/8"	14 3/8"	12	12	1
16" x 16"	406 x 406	18"	18"	16 3/8"	16 3/8"	15	15	1
18" x 18"	457 x 457	20"	20"	18 3/8"	18 3/8"	17	18	1
20" x 20"	508 x 508	22"	22"	20 3/8"	20 3/8"	21	22	1
20" x 30"	508 x 762	22"	32"	20 3/8"	30 3/8"	28	29	1
22" x 22"	559 x 559	24"	24"	22 3/8"	22 3/8"	26	27	1
22" x 30"	559 x 762	24"	32"	22 3/8"	30 3/8"	29	30	2
22" x 36"	559 x 914	24"	38"	22 3/8"	36 3/8"	36	37	2
24" x 24"	610 x 610	26"	26"	24 3/8"	24 3/8"	27	28	1
24" x 36"	610 x 914	26"	38"	24 3/8"	36 3/8"	37	38	2

Custom Sizes Available Upon Request - For Larger Sizes, See FD2 Series

Sizes Shown in Blue Text in Chart Above Available for Quick Ship from One or More of our Warehouses - Check Stock List

For detailed specifications see submittal sheet

Standard Color is White, Optional Colors at Additional Cost



### LATCH AND LOCK OPTIONS:



Optional Mortise Lock (U4)



Intertek

### FIRE-RATING INFORMATION

Ceiling Installation:  
Warnock Hersey listed for ceiling installations with 3 hour non-combustible rating or 1 hour combustible rating.

SEE SEPARATE SUBMITTALS FOR 3 HOUR CEILING, 2-3 HOUR WALLS OR DOUBLE LEAF DOORS

For a complete list of options visit [www.AccessDoorsAndPanels.com](http://www.AccessDoorsAndPanels.com)

## PROJECT DATA

Custom Sizes Available - Fast!

Scan or



To view Pricing and Additional Product Info.

PROJECT NAME :	QTY	W	H	OPTIONS
ARCHITECT :				
DEALER :				
CONTRACTOR :				
LOCATION :	SPECIAL INSTRUCTIONS :			
DATE :	SUBMITTAL APPROVAL : (signature or stamp)			
TAGGING INSTRUCTIONS :				

TELEPHONE:  
1-888-457-1275  
FAX:  
1-888-626-2907



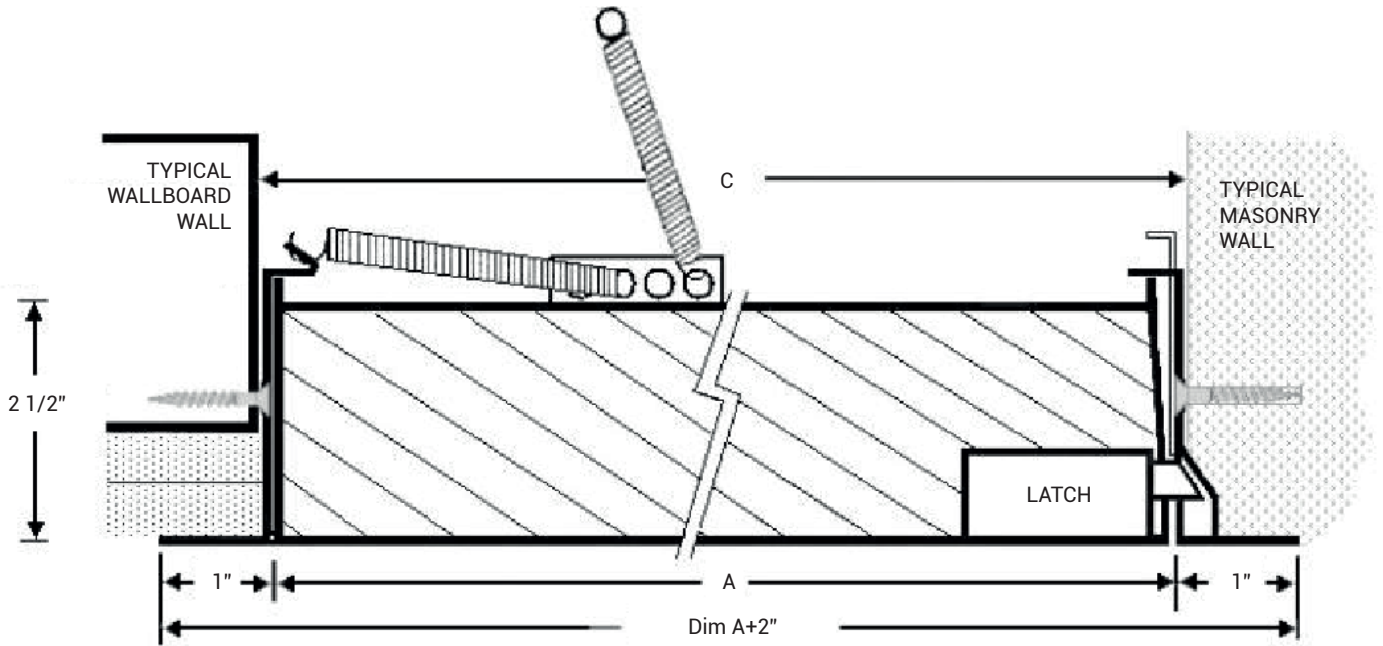
PO BOX 66738 #76520,  
SAINT LOUIS, MO  
63166-6738  
USA



WEBSITE:  
[www.AccessDoorsAndPanels.com](http://www.AccessDoorsAndPanels.com)  
E-MAIL:  
[info@AccessDoorsAndPanels.com](mailto:info@AccessDoorsAndPanels.com)



# FDS 1 HOUR COMBUSTIBLE CEILING FIRE RATED ACCESS DOORS



CEILING INSTALLATION (Side View)  
Use "C" Dimension for Stud to Stud or Masonry Installation without Wallboard Liner

DRAWINGS ABOVE PROVIDED AS REFERENCE ONLY INSTALLATION  
CONDITIONS MAY VARY



Please Note Product Model FDSS has Changed to FDS.  
Please Note - Color Codes and Lock Option Codes have Changed.